



# SCR312LWC2



25.5" x 17" x 19.25" (H x W x D)

Commercially approved countertop wine cellar with glass door, front lock, and digital thermostat

## Highlights:

Commercially listed to NSF-7 standards

Versatile interior lets you store red or white wine upright or horizontally on wooden shelves

Digital thermostat with external readout for easy and precise temperature control

Interior LED lighting for an elegant display with energy efficiency

## Product Features:

Commercially approved	ETL-S listed to NSF-7 commercial standards
Double pane tempered glass door	Heat resistant design provides clear view of stored products
Factory installed lock	Keyed lock offers convenient security
22 bottle capacity	Interior can hold up to 22 standard 750ml Bordeaux style bottles. If using this wine cellar for wider Burgundy/Pinot Noir bottles, you can store up to 18 of those bottles with an additional 3 Bordeaux bottles.
Professional handle	Stainless steel handle offers a professional look
Automatic defrost	Reduced user maintenance with auto defrost system
Digital thermostat	Precise temperature management with easy electronic controls and a digital display
Interior LED light	Externally located button turns this light on and off to illuminate the products for a tempting view
Wooden shelving	Four wooden shelves offer the perfect conditions for storing bottles horizontally



SUMMIT APPLIANCE DIVISION FELIX STORCH, INC.

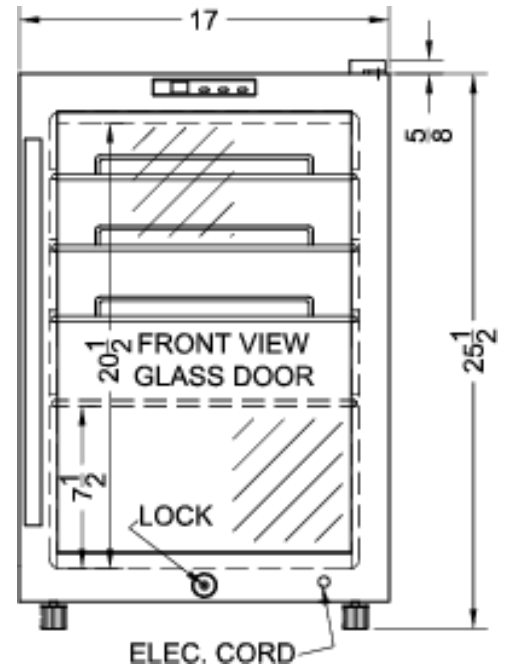
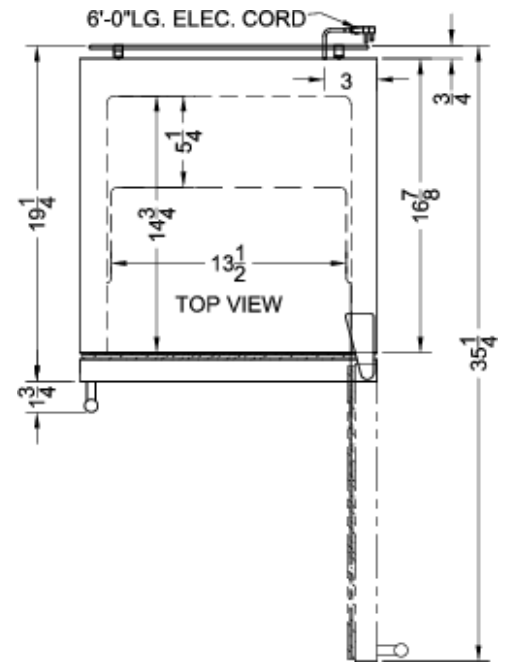
770 Garrison Avenue, Bronx, NY 10474 USA TEL 718-893-3900 FAX 844-478-8799 info@summitappliance.com  www.summitappliance.com



## SCR312LWC2 Specifications:

Overview	
Height to Cabinet	25.5"
Height to Hinge Cap	26.13"
Width	17.0"
Depth	19.25"
Depth with Handle	21.0"
Depth with door at 90°	35.25"
Capacity	2.5 cu.ft.
Bottles	22 bottles
Defrost Type	Automatic
Door	Glass
Cabinet	Black
US Electrical Safety	ETL
Canadian Electrical Safety	ETL-C
Sanitation	ETL-S
Amps	1.3
Voltage/Frequency	115 V AC/60 Hz
Weight	50.0 lbs.
Shipping Weight	80.0 lbs.
Parts & Labor Warranty	1 Year
Compressor Warranty	5 Years
Wine Cellar	
Number of Zones	1
Door Swing	RHD
Reversible	No
Adjustable Shelves	Yes
Shelf Type	Wood
Shelf Qty	4
Thermostat Type	Digital
Interior Light	Yes
Refrigerant Type	R134a
Refrigerant Amount	1.82 oz.
High Side PSI	270.0
Low Side PSI	103.0
Interior Height 1	20.5"
Interior Width 1	13.5"
Interior Depth 1	14.75"
Compressor Step Height	7.5"

Compressor Step Width	13.5"
Compressor Step Depth	5.25"
Temperature Range	40° to 72°F



SUMMIT APPLIANCE DIVISION FELIX STORCH, INC.

770 Garrison Avenue, Bronx, NY 10474 USA TEL 718-893-3900 FAX 844-478-8799 info@summitappliance.com www.summitappliance.com