

# SCR610BL



34" x 23.63" x 23.5" (H x W x D)

Built-in undercounter commercial beverage center w/SS interior, lock, and digital thermostat

## Highlights:

ENERGY STAR certified commercial refrigerator

ETL-S listed to NSF-7 commercial standards

Reversible glass door and LED lighting provide an attractive display

Stainless steel interior ensures long-lasting durability with easy cleanup

## Product Features:

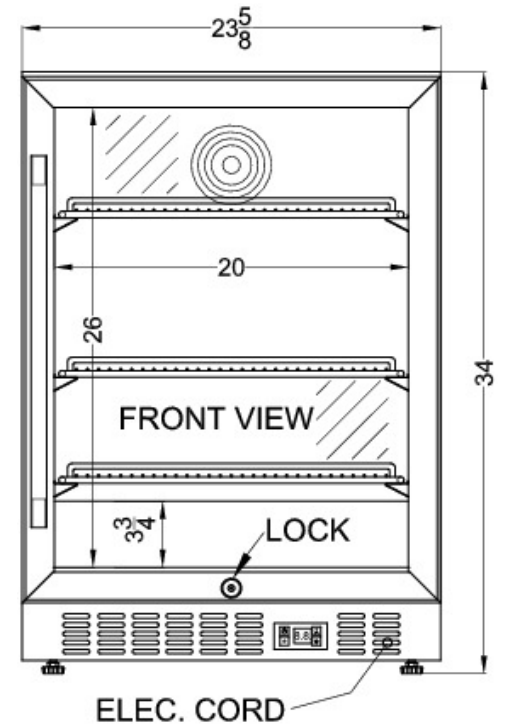
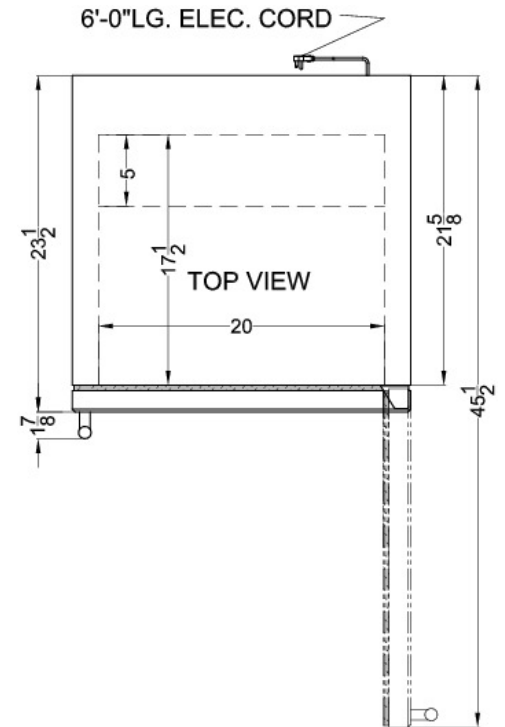
Commercially approved	ETL-S listed to NSF-7 Standards for use in commercial establishments
Built-in capable	Make the best use of space by installing this unit under the counter and flush with other cabinetry
ENERGY STAR certified commercial performance	Meets ENERGY STAR standards as a commercial refrigerator
Double pane tempered glass door	Stainless steel trimmed glass door offers a full display of stored items
Stainless steel interior	Walls are constructed from stainless steel for added strength and easy cleanup
Factory installed lock	Keyed lock for a secure interior
Digital thermostat	Intuitive digital controls ensure easy temperature management
Reversible door	User-reversible door swing allows for more flexibility in placing the unit
Cantilevered chrome shelves	Rearrange refrigerator space to accommodate all sizes or remove shelves for simple cleanup



## SCR610BL Specifications:

Overview	
Height to Cabinet	34.0"
Width	23.63"
Depth	23.5"
Depth with Handle	25.38"
Depth with door at 90°	45.5"
Capacity	5.0 cu.ft.
Defrost Type	Automatic
Door	Glass
Cabinet	Black
US Electrical Safety	ETL
Canadian Electrical Safety	ETL-C
Sanitation	ETL-S
Amps	0.8
Voltage/Frequency	115 V AC/60 Hz
Weight	100.0 lbs.
Shipping Weight	130.0 lbs.
Parts & Labor Warranty	1 Year
Compressor Warranty	5 Years
Refrigerator Features	
Door Swing	RHD
Reversible	Yes
Shelf Type	Chrome
Shelf Qty	3
Adjustable Shelves	Yes
Thermostat Type	Digital
Fan Type	Interior and Exterior
Refrigerant Type	R600a
Refrigerant Amount	0.99oz.
High Side PSI	270.0
Low Side PSI	105.0
Level Legs Qty	2
Interior Light	Yes
Dimensions	
Interior Height	26.0"
Interior Width	20.0"
Interior Depth	17.5"

Compressor Step Height	3.75"
Compressor Step Width	20.0"
Compressor Step Depth	5.0"



SUMMIT APPLIANCE DIVISION FELIX STORCH, INC.

770 Garrison Avenue, Bronx, NY 10474 USA TEL 718-893-3900 FAX 844-478-8799 info@summitappliance.com www.summitappliance.com