



SPR627OS2D



34" x 23.63" x 23.63" (H x W x D)

Outdoor drawer refrigerator in stainless steel, for built-in residential or commercial use

Highlights:

Weatherproof design ensures safe operation in the outdoors

Stainless steel cabinet and drawers offer long-lasting luxury

Flexible design allows built-in or freestanding use in 24" wide spaces

Deluxe interior comes fully featured for user convenience

Product Features:

| | |
|--------------------------|---|
| Weatherproof design | Designed and constructed for durable use in the outdoors |
| Commercially approved | ETL-S listed to NSF-7 Standards for use in commercial establishments |
| Built-in capable | Front-breathing design lets you make the best use of space by installing your appliance under the counter |
| Stainless steel exterior | Cabinet and drawers are fully constructed from weatherproof stainless steel |
| Two drawers | Slide-out drawers offer 3.4 cu.ft. of interior storage |
| Digital thermostat | Electronic controls ensure easy temperature management, with an external readout in Celsius or Fahrenheit |
| LED lighting | Elegant and efficient lighting offers a gentle illumination for the drawer interiors |
| Professional handles | Sleek stainless steel handles add an elegant touch to any setting |
| Open drawer alarm | Audible alarm will sound if either drawer is left open longer than one minute |

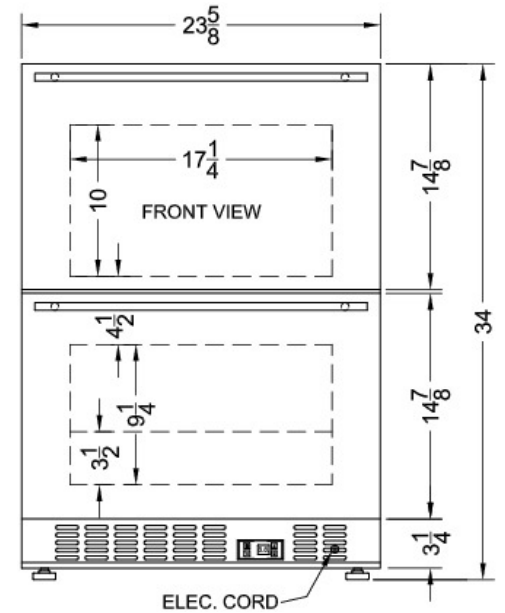
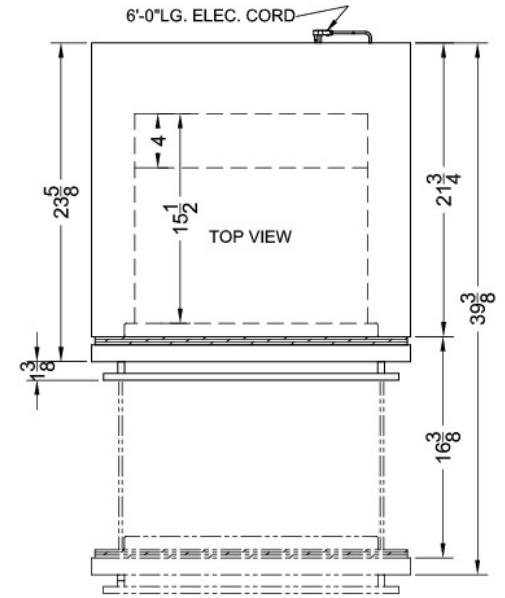


SPR627OS2D Specifications:

| Overview | |
|----------------------------|-----------------------|
| Height to Cabinet | 34.0" |
| Width | 23.63" |
| Depth | 23.63" |
| Depth with Handle | 25.0" |
| Depth with door at 90° | 39.38" |
| Capacity | 3.4 cu.ft. |
| Defrost Type | Frost-Free |
| Door | Stainless Steel |
| Cabinet | Stainless Steel |
| US Electrical Safety | ETL |
| Canadian Electrical Safety | ETL-C |
| Sanitation | ETL-S |
| Energy Usage/Year | 275.0kWh/year |
| Amps | 0.8 |
| Voltage/Frequency | 115 V AC/60 Hz |
| Weight | 106.0 lbs. |
| Shipping Weight | 130.0 lbs. |
| Parts & Labor Warranty | 1 Year |
| Compressor Warranty | 5 Years |
| Refrigerator Features | |
| Door Swing | Drawer |
| Thermostat Type | Digital |
| Fan Type | Interior and Exterior |
| Refrigerant Type | R600a |
| Refrigerant Amount | 0.99oz. |
| High Side PSI | 270.0 |
| Low Side PSI | 105.0 |
| Level Legs Qty | 2 |
| Interior Light | Yes |
| Interior Drawers | Yes |
| Interior Drawers Qty | 2 |
| Dimensions | |
| Interior Height 1 | 9.25" |
| Interior Width 1 | 17.25" |
| Compressor Step Height | 3.5" |
| Compressor Step Width | 17.25" |

Compressor Step Depth 4.0"

| Drawer Dimensions | |
|-------------------|--------|
| Interior Depth 1 | 15.5" |
| Interior Height 2 | 10.0" |
| Interior Width 2 | 17.25" |
| Interior Depth 2 | 15.5" |



SUMMIT APPLIANCE DIVISION FELIX STORCH, INC.

770 Garrison Avenue, Bronx, NY 10474 USA TEL 718-893-3900 FAX 844-478-8799

info@summitappliance.com

www.summitappliance.com