



SWC1966



69.75" x 23.63" x 26.63" (H x W x D)

2-zone 160 bottle wine cellar with glass door, digital thermostat, and black cabinet

Highlights:

Dual zone setup lets you separately store reds and whites at their ideal temperature

Factory installed lock provides security you can depend on

Electronic controls for precise temperature management of each section

Reversible stainless steel trimmed glass door with pro handle

Product Features:

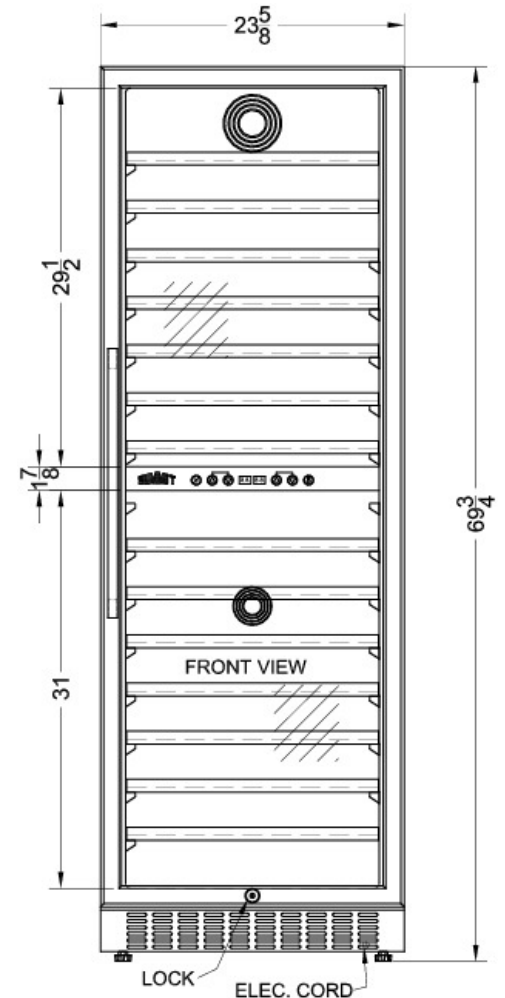
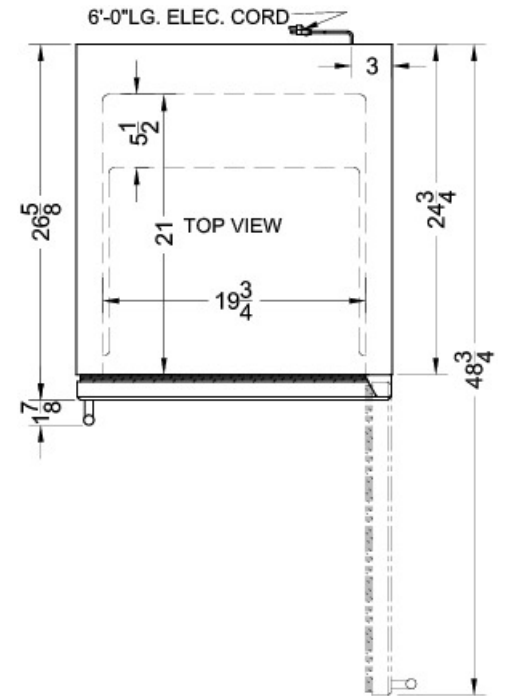
Large capacity	Interior can hold up to 160 standard 750ml Bordeaux style bottles. If using this wine cellar for wider Burgundy style bottles, you can hold up 118. For champagne, the interior can hold 22 bottles (plus an additional 132 of the standard Bordeaux style)
Double pane tempered glass door	Slightly tinted glass provides full view of interior, with a stainless steel trim for added accent
Two temperature zones	Lower zone is ideal for storing red wine (temperature range: 55°F to 72°F) while the upper zone accommodates white and sparkling wine stored between 41°F and 55°F
Digital thermostats	Set and adjust two temperature zones separately with easy-to-use digital controls with an LED display in Celsius or Fahrenheit
LED lighting	Recessed lighting offers an elegant, efficient view of your collection
Slide-out wooden shelves	14 wooden shelves offer proper storage
Factory installed lock	Keyed lock for trusted security
Reversible door	User-reversible door swing allows for more flexibility in placing the unit
Fully finished black cabinet	Allows the unit to be used freestanding



SWC1966 Specifications:

Overview	
Height to Cabinet	69.75"
Width	23.63"
Depth	26.63"
Depth with Handle	27.75"
Depth with door at 90°	48.75"
Capacity	15.9 cu.ft.
Bottles	160 bottles
Defrost Type	Automatic
Door	Glass
Cabinet	Black
US Electrical Safety	ETL
Canadian Electrical Safety	ETL-C
Amps	1.7
Voltage/Frequency	115 V AC/60 Hz
Weight	187.0 lbs.
Shipping Weight	220.0 lbs.
Parts & Labor Warranty	1 Year
Compressor Warranty	5 Years
Wine Cellar	
Number of Zones	2
Door Swing	RHD
Reversible	Yes
Shelf Type	Wood
Shelf Qty	14
Thermostat Type	Digital
Interior Light	Yes
Fan Type	Interior and Exterior
Refrigerant Type	R600a
Refrigerant Amount	1.91 oz.
High Side PSI	270.0
Low Side PSI	105.0
Interior Height 1	29.5"
Interior Width 1	19.75"
Interior Depth 1	21.0"
Compressor Step Height	3.75"
Compressor Step Width	19.75"

Compressor Step Depth	5.5"
Interior Height 2	31.0"
Interior Width 2	19.75"
Interior Depth 2	21.0"



SUMMIT APPLIANCE DIVISION FELIX STORCH, INC.

770 Garrison Avenue, Bronx, NY 10474 USA TEL 718-893-3900 FAX 844-478-8799 info@summitappliance.com www.summitappliance.com