

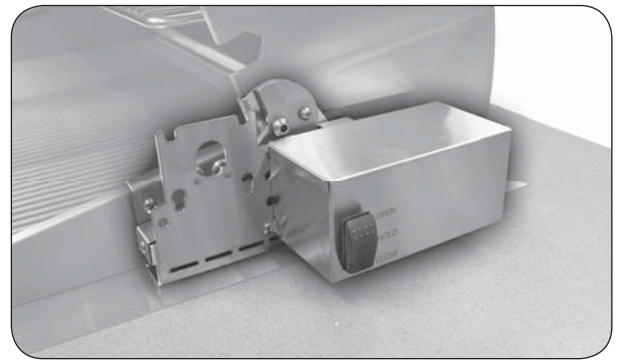
FIREMAGIC® ECHELON

Power Hood Kit

Model# 3422-E2

INSTALLER: Leave these instructions with consumer.

CONSUMER: Retain for future reference.



For use with PFS Certified
Fire Magic grills designed to:

ANSI Z21.58-2015 CSA 1.6-2015

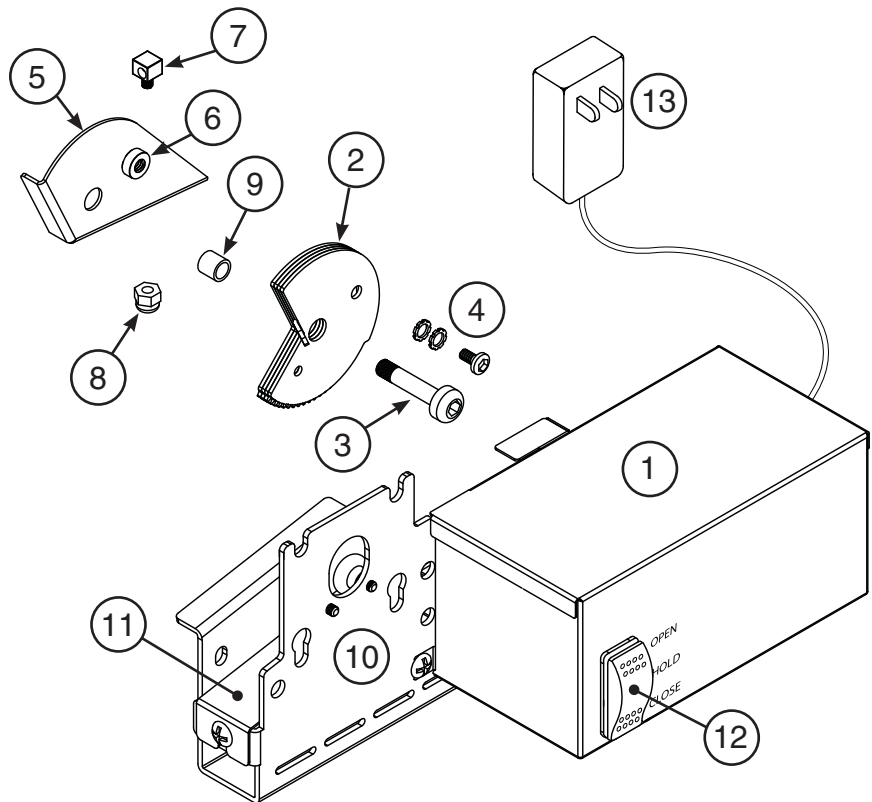


Tools required	Phillips screwdriver, 3/8" wrench, 1/4" hex key, 5/32" hex key, long reach needle nose pliers
Input electrical requirements	120VAC / 15 AMP minimum / 60 Hz / GFCI outlet

IDENTIFICATION PARTS LIST

Item	Description
1.	Motor assembly
2.	Lid gear
3.	Shoulder bolt
4.	Lid locking screw & lock washers
5.	Lid mounting bracket
6.	Bracket bearing
7.	Bracket screw
8.	Cap nut
9.	Gear bearing
10.	Rotisserie mounting bracket
11.	Cover plate
12.	3-position rocker switch
13.	AC adapter
14.	Lid support block*

* Not shown



ELECTRICAL SAFETY

To protect against electric shock, do not immerse cord or plugs in water or other liquid.

Unplug from the outlet when not in use and before cleaning. Allow to cool before putting on or taking off parts.

Do not operate with a damaged cord, plug, or after the unit malfunctions or has been damaged in any manner. Contact the manufacturer for repair.

Do not let the cord hang over the edge of a table or touch hot surfaces.

When connecting, first connect plug to the Power Hood motor box then plug the unit into the outlet.

Use only a properly wired and inspected 120VAC (15 AMP minimum) Ground Fault Circuit Interrupter (GFCI) GROUNDED 3-wire receptacle with this unit.

The GFCI receptacle must be a WEATHER-PROOF IN-USE COVERED RECEPTACLE.

Use only extension cords with a 3 prong grounding plug, rated for the power of the equipment, and approved for outdoor use with a W-A marking.

ROBERT H. PETERSON CO. • 14724 East Proctor Avenue • City of Industry, CA 91746

INSTALLATION

This Echelon Power Hood Kit is for installation on Echelon Grills only. To install, follow the steps below.

Installation must be performed by a qualified professional service technician.

CAUTION: Ensure the grill is OFF, the gas supply is turned OFF, the power supply is disconnected, and the grill is completely cool prior to installation.

ELECTRICAL SETUP

A 120VAC (15 AMP minimum) Ground Fault Circuit Interrupter (GFCI) GROUNDED 3-wire receptacle (not included) is required within the vicinity of the motor to provide power to the unit. The GFCI receptacle must be a WEATHER-PROOF IN-USE COVERED RECEPTACLE. Your individual installation may vary. **Observe all local codes.**

1. Wire the receptacle into the area that the motor will be plugged into.
 - **Verify proper polarity of the receptacle.**
 - **If an extension cord is used, ensure it is a 3-wire GROUNDED cord that is rated for the power of the equipment, and is approved for outdoor use with a W-A marking. DO NOT use 2-prong adapters.**
 - **DO NOT TAMPER WITH THE EXTENSION CORD OR THE UNIT POWER-SUPPLY CORD.**

INSTALL LID SHOULDER COMPONENTS

1. Remove the existing rotisserie mounting bracket by unfastening and removing the 3 screws with a Phillips screwdriver (see Fig. 2-1).

Note: Save screws for later use.

Note: The bracket may be stored for possible future use.

2. Disassemble the lid mounting bracket from the lid gear (see parts list). Remove the bracket screw and cap nut ($3/8"$ wrench) from the lid mounting bracket as shown in Fig. 2-2.

For E1060 models, discard the bracket screw and cap nut, then proceed to step 4. For all other Echelon models, continue to step 3.

3. Using long reach needle nose pliers, insert the bracket screw into the hole located on the inner lip of the oven lid (see Fig. 2-3, then loosely fasten the cap nut (hand tighten) to temporarily keep the bracket screw in place (see Fig. 2-4).

Important: The bracket screw head MUST face toward the center of the grill as shown in Fig. 2-3.

4. Place the lid support block as shown in Fig. 2-5 to keep the lid in place during installation.
5. While holding the lid up right with one hand, remove the existing shoulder bolt using a $1/4"$ hex key (see Fig. 2-6). Once the bolt is removed, slowly lower the lid onto the support block.

Note: The shoulder bolt may be stored for possible future use.

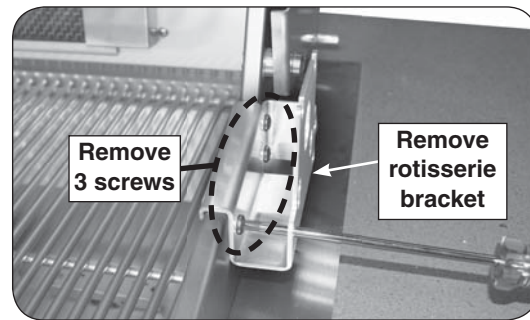


Fig. 2-1 Remove rotisserie bracket

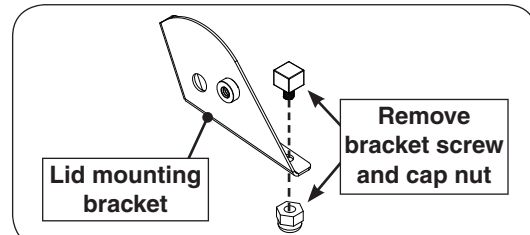


Fig. 2-2 Remove bracket screw & cap nut

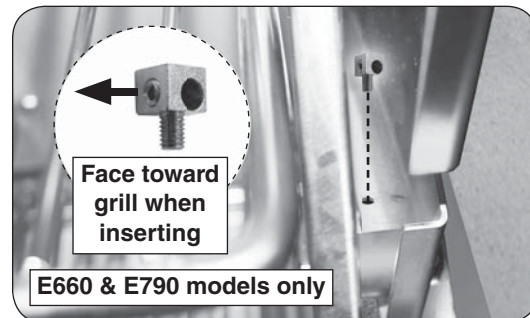


Fig. 2-3 Install bracket screw & cap nut

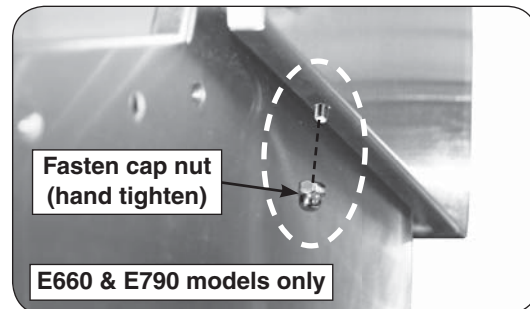


Fig. 2-4 Fasten cap nut to bracket screw

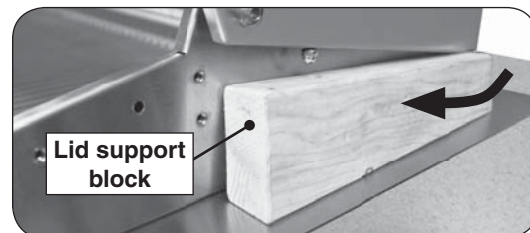


Fig. 2-5 Place lid support block

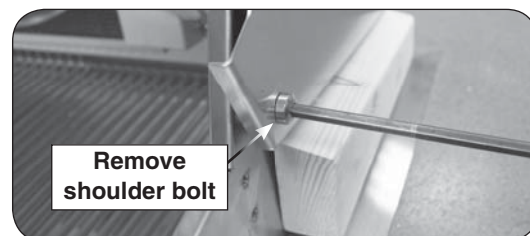


Fig. 2-6 Remove shoulder bolt

INSTALLATION (cont.)

- Remove the cap nut ($\frac{3}{8}$ " wrench) from the bottom lip of the hood as shown in Fig. 3-1. Save for the next step.
- Install the lid mounting bracket using the cap nut (tighten by hand). See Fig. 3-2.

Note: Take caution as the screw must extend through the oven lid hole and lid mounting bracket hole. If needed, use long reach needle nose pliers to hold screw in place when installing.

- Assemble the lid gear, gear bearing, and the shoulder bolt (provided in kit) as shown in Fig. 3-3.
- Install the lid gear assembly to the mounting bracket, ensuring that the bracket bearing fits inside the bracket bearing track, and the gear bearing slides into the mounting bracket hole. The shoulder bolt must slide through the grill lid spacer and thread into the shoulder nut. See Fig. 3-4 and 3-5. Tighten securely using the $\frac{1}{4}$ " hex key.

Procedure continued on following page

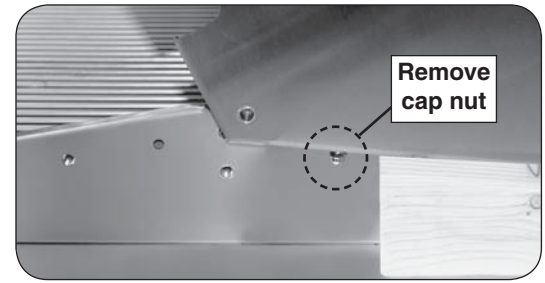


Fig. 3-1 Remove cap nut

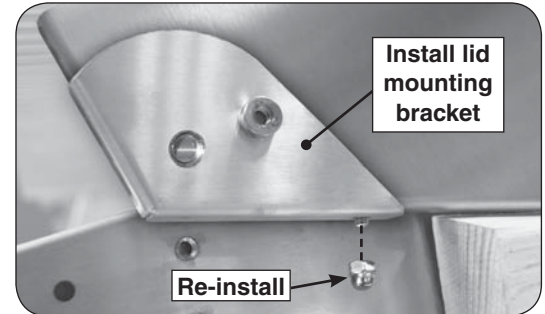


Fig. 3-2 Install lid mounting bracket

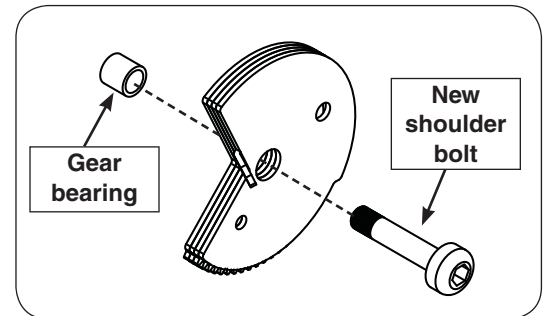


Fig. 3-3 Assemble lid gear

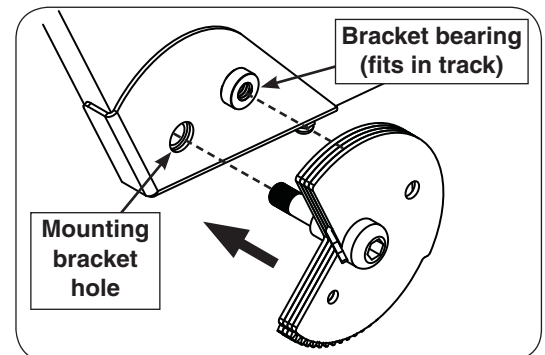


Fig. 3-4 Install lid gear assembly

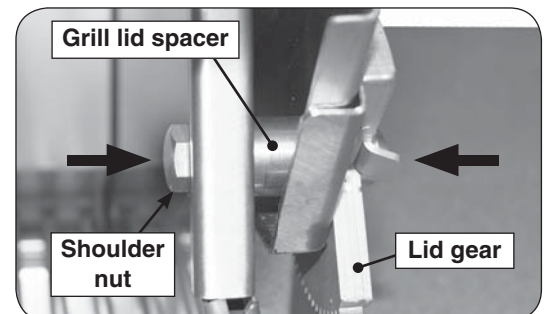


Fig. 3-5 Lid gear install detail

INSTALLATION (cont.)

10. Fully tighten the cap nut using a $\frac{3}{8}$ " wrench, then remove the support block (see Fig. 4-1).

INSTALL MOTOR ASSEMBLY

1. Remove the cover plate by unscrewing and removing the screw using a Phillips screwdriver (see Fig. 4-2).
2. With the oven lid fully opened, ensure the lid gear is positioned as shown in Fig. 4-3.
3. Carefully place the motor assembly by slightly adjusting the lid up and down as needed to ensure the oven lid clears the front and rear limit switches on the motor box (see Fig. 4-4), and the motor gear is in proper alignment with the lid gear.

CAUTION: DO NOT DAMAGE THE FRONT AND REAR LIMIT SWITCHES WHEN PLACING MOTOR BOX.

4. Fully secure the motor assembly to the grill wall using the 3 screws (previously removed) and a Phillips screwdriver.
5. Re-install the cover plate to the motor assembly.
6. Align the screw holes on the lid gear to the lid mounting bracket, then fasten together using the lid locking screw, lock washers, and a $\frac{5}{32}$ " hex key (see Fig. 4-5). Tighten securely.
7. Connect the AC adapter cable to the rear of the motor assembly, then connect the plug to a **120VAC (15 amp minimum) GFCI GROUNDED 3-wire receptacle**.

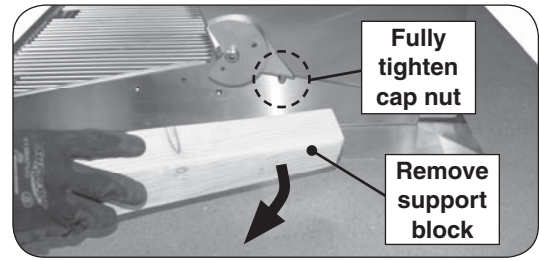


Fig. 4-1 Secure bracket screw & remove block

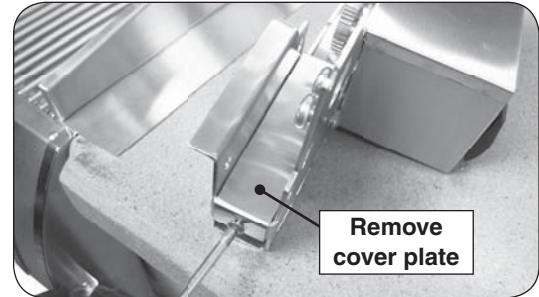


Fig. 4-2 Remove cover plate

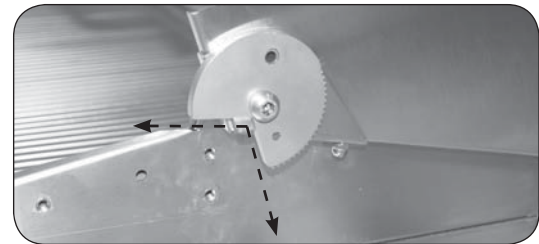


Fig. 4-3 Position lid gear

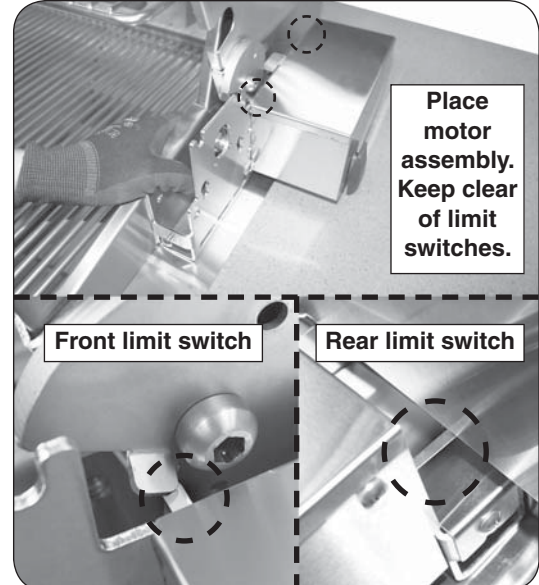


Fig. 4-4 Motor assembly & limit switch detail



Fig. 4-5 Fasten lid locking screws and washers

OPERATION

AUTOMATIC LID

When set up for motorized opening and closing, the lid may be controlled using the black 3-position rocker switch on the motor box. The rocker switch will lock in any one of three positions:

OPEN - Open lid fully

HOLD - Hold lid in current position during opening and closing

CLOSE - Close lid fully

CAUTION: DO NOT PUSH OR PULL THE LID OR ITS HANDLE WHILE IT IS CONFIGURED FOR AUTOMATIC OPERATION. THIS COULD RESULT IN DAMAGE TO THE GRILL AND MOTOR COMPONENTS.

OPEN / CLOSE LID MANUALLY

WARNING: Allow grill to cool before beginning this procedure or wear heat-resistant gloves.

To configure the lid for manual opening and closing, unscrew and remove the lid locking screw and lock washers using the $\frac{5}{32}$ " hex key (see Fig. 5-2).

Note: Store the locking screw and lock washers for later use when converting the unit back to automatic lid operation.

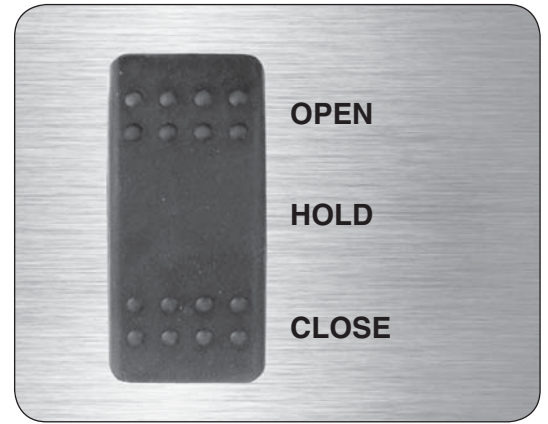


Fig. 5-1 Rocker switch functions

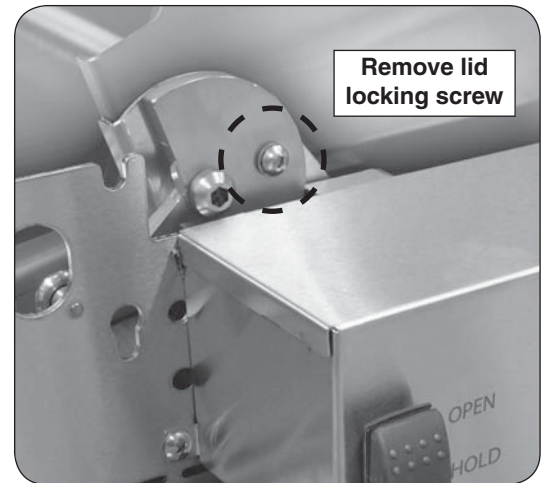


Fig. 5-2 Manual configuration

CARE AND CLEANING

Refer to the owner's manual for details on stainless steel care and cleaning.

WEATHER PROTECTION

An optional cover for your grill will protect your appliance and Power Hood Kit when not in use. (Allow to cool before covering.) Please specify the model number and serial number of your appliance when ordering a cover.

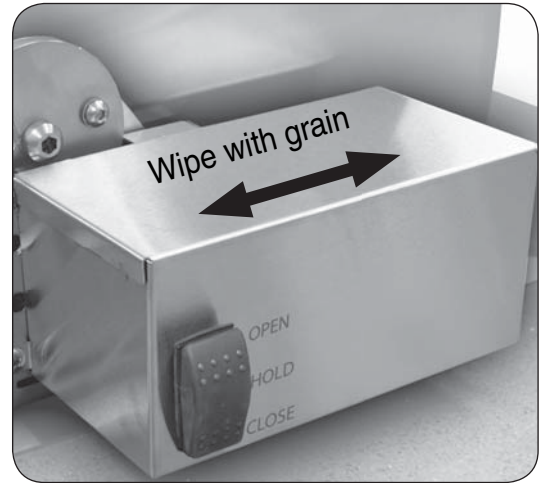


Fig. 6-1 Wipe with grain

TROUBLESHOOTING

SYMPTOM	PROBABLE CAUSE	CORRECTIVE ACTION
Nothing happens when commanding up or down, but unit is plugged in	<ol style="list-style-type: none"> 1. Unit not receiving power 2. Faulty AC adapter 3. Rocker switch malfunction 4. Motor malfunction 	<ol style="list-style-type: none"> 1. Check that power supply cord is properly plugged in. Check GFCI receptacle. Check building circuit breaker. 2. Contact dealer for replacement. 3. Check switch for proper connections, or contact dealer for replacement. 4. Check motor for proper connections, or contact dealer for replacement.
Motor over-forces when closed position is reached	<ol style="list-style-type: none"> 1. Lid gear positioning issue 	<ol style="list-style-type: none"> 1. Bend the lid gear tab <u>downward</u> to trigger the front limit switch sooner. See Fig. 4-4 for reference.
Lid does not fully close	<ol style="list-style-type: none"> 1. Lid gear positioning issue 	<ol style="list-style-type: none"> 1. Bend the lid gear tab <u>upward</u> to trigger the front limit switch later. See Fig. 4-4 for reference.