



## C36GGRU

### classic

Free-Standing Gas Range, 36",  
Red

EAN13: 8017709215194

Exclusive professional style

Sturdy American control knobs

4" Polished stainless steel backsplash

#### Gas Oven

3 Cooking modes

Gas Convection mode

Broil mode

Defrost mode

Fan option for static gas

"Ever-clean" enamelled oven interior

4 Shelf positions

Air cooled triple glazed removable door

2 Lights oven lights

Oven capacity: 4.4 Cu. Ft

Gas broil element: 19,000 BTU

Gas bake element: 18,000 BTU

#### Gas Rangetop

Heavy duty cast iron grates

Full width grates

Sealed burners

Automatic electronic ignition

Safety valves

LP Gas conversion kit included

#### 6 Gas Burners:

Front right: 6,200 BTU rapid burner

Back right: 10,000 BTU rapid burner

Front center: 3,400 BTU burner

Back center: 15,000 BTU burner

Front left: 6,200 BTU burner

Back left: 3,400 BTU burner

#### Safety

Automatic re-ignition when flame is accidentally extinguished

Valved gas oven

Ventilated door with cooling system to prevent overheating

Anti-tilting norms satisfied

Suitable for building-in

Connected load nominal power 120V

Amp supply required @120V: 1.2 Amp

Voltage rating: 120V 60Hz



Gas inlet location: back top right

**Accessories Included:**

- 1 Baking tray
- 1 Chrome shelf
- 1 Wire rack
- 1 Wok ring
- 1 Moka ring

**Optional Accessories:**

"Classic" control knob kit

## Options

---

- **KITI36XU** - Island trim

**SMEG U.S.A. INC.  
A&D BUILDING  
150 EAST 58th STREET, 7th FLOOR  
NEW YORK, NY, 10155  
Tel. +1 212 265 5378  
Fax +1 212 265 5945**



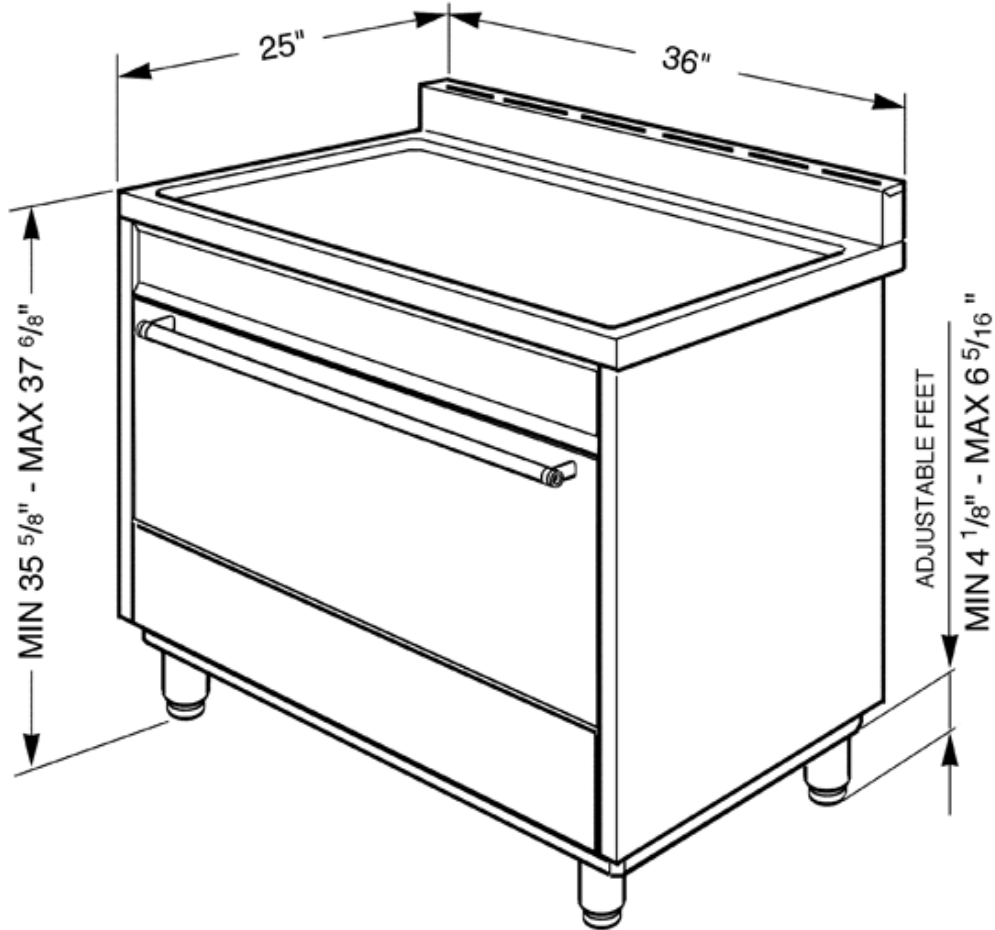
# C36GGRU

classic

30"

red

cooktops type: gas  
oven type: gas



SMEG U.S.A. INC.  
A&D BUILDING  
150 EAST 58th STREET, 7th FLOOR  
NEW YORK, NY, 10155  
Tel. +1 212 265 5378  
Fax +1 212 265 5945