

Read me
FIRST

www.CookWithKenyon.com

KENYON[®]

Make any day a weekend

KENYON TEXAN STAND

ASSEMBLY INSTRUCTIONS

Part # 145593
August 26, 2021

Contents

Items Required and Hardware	3
Assembling the Folding Shelves	
Frame Assembly.....	4
Panels and Doors	5
Shelves and Final Steps	6
Final Steps	
Assembling Texan Stand.....	9
Assembling Panels and Doors.....	11
Assembling the Shelves and Final Steps.....	12

Please read & save these instructions

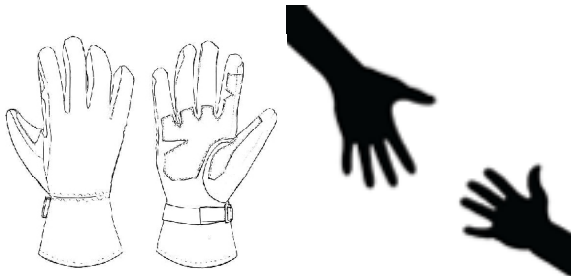
Thank you for choosing **Kenyon**, the world's leading manufacturer of specialty cooking appliances. By following the instructions in this assembly manual, your grill stand will provide you with many years of reliable service.

PLEASE READ THESE INSTRUCTIONS IN THEIR ENTIRETY BEFORE USE. SAVE THESE INSTRUCTIONS FOR FUTURE REFERENCE.

ITEMS REQUIRED



**Phillips Head
Screwdriver**



**Gloves and a Helping Hand Strongly
Recommended**

FRAME ASSEMBLY HARDWARE



S1 (24X)
#8-32 x 5/16" Phillips Head

**PANELS AND DOORS
HARDWARE**



S1 (20X)
#8-32 x 5/16"
Phillips Head



W1 (4X)
White
Washer



N1 (4X)
Square Head
Push in Nut

**FOLDING SHELVES AND FINAL
STEPS HARDWARE**

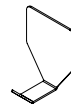


S3 (9X)
#6-32 x 1/2"
Phillips Head

IMPORTANT: These **S3 (9x)** screws replace the hardware that comes in the box of your Texan Grill.



S2 (8X)
1/4"-20 x 3/8"
Phillips Head



Hooks (4X)



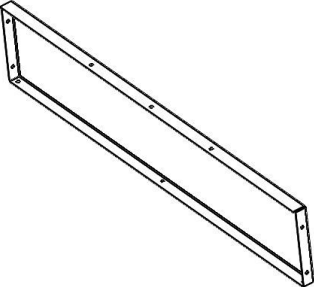

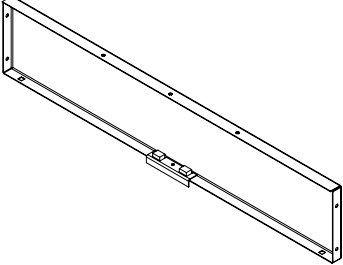

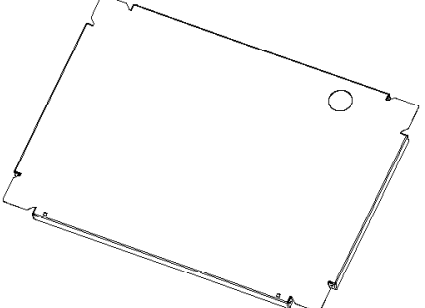
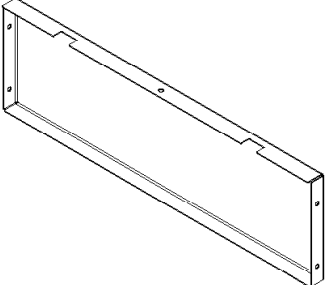
E1 (4X)
Elevator Bolt
Optional



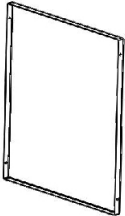
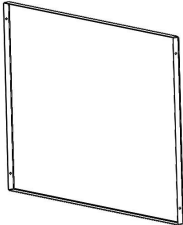
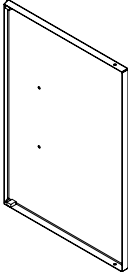
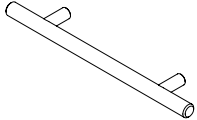
S4 (4X)
1/4" x 1-1/4"
Hex Head
Optional

Part Lists

Frame Assembly

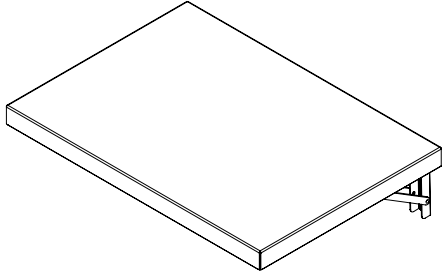
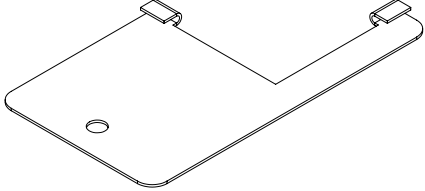
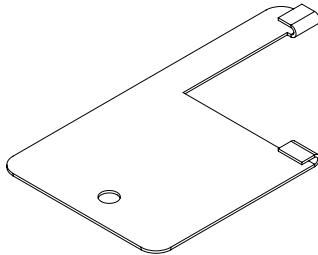
BACK FRAME (1X)	LEG 1 (2X)
 A perspective drawing of a rectangular frame component, likely the back frame, showing its profile and mounting points.	 A perspective drawing of a vertical leg component, showing its profile and mounting points.
FRONT FRAME (1X)	LEG 2 (2X)
 A perspective drawing of a rectangular frame component, likely the front frame, showing its profile and mounting points.	 A perspective drawing of a vertical leg component, showing its profile and mounting points.
STATIONARY SHELF (1X)	SIDE FRAME (2X)
 A perspective drawing of a rectangular shelf component, showing its profile and mounting points.	 A perspective drawing of a rectangular frame component, likely the side frame, showing its profile and mounting points.

Panels and Doors

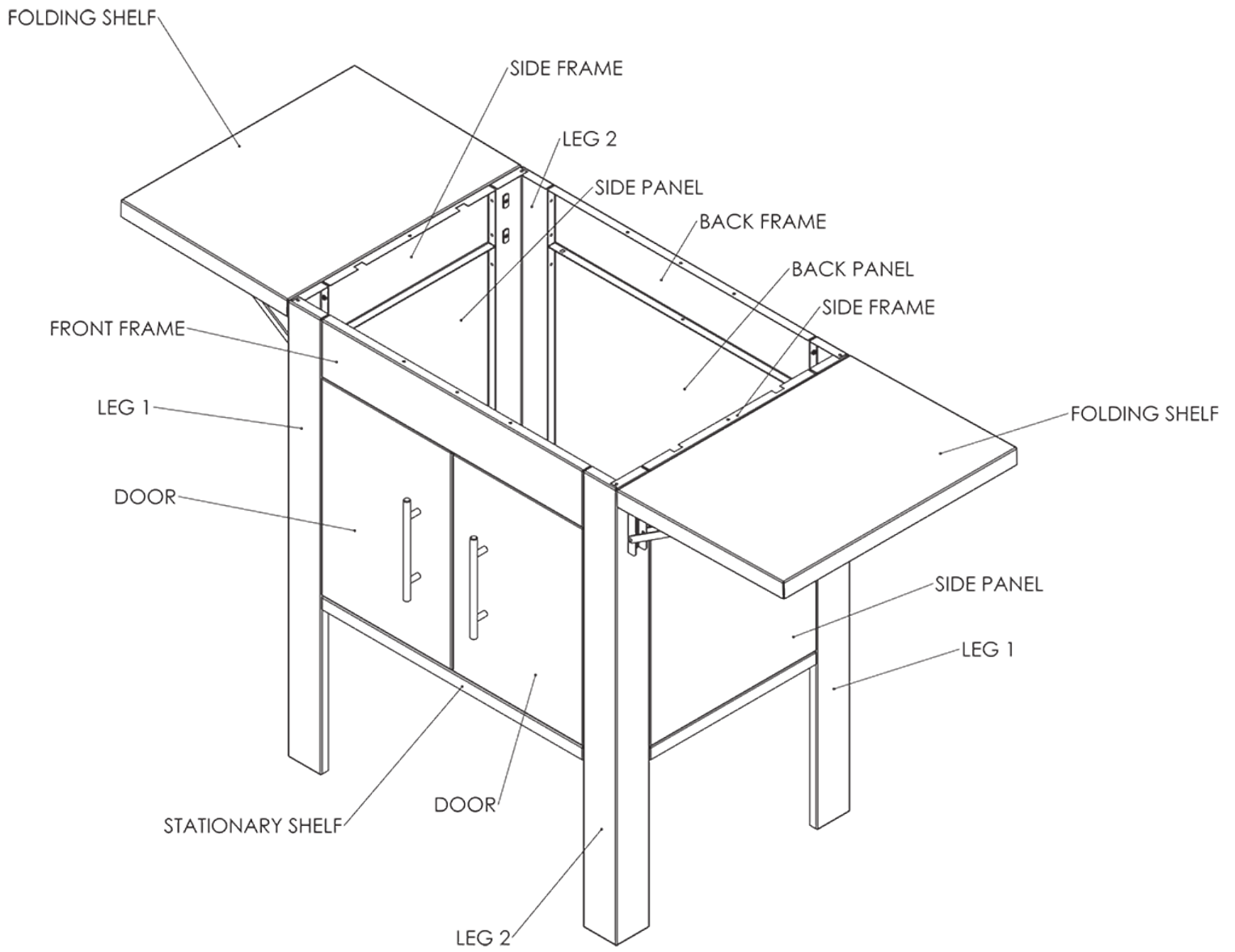
SIDE PANELS (2X)	BACK PANEL (1X)
	
DOORS (2X)	HANDLE (2X)
	

Part Lists

Folding Shelves and Final Steps

FOLDING SHELVES (2X)	MOUNTING BRACKETS 1 (2X)
	
MOUNTING BRACKETS 2 (2X)	
	

Assembled Stand



Instructions

1 Attain all materials and hardware needed to put together stand.

- Phillips Screw Driver
- Gloves
- A Friend (grill them some steak after!)

2 Take inventory (**Frame Assembly**)

- (1X) Front Frame
- (1X) Back Frame
- (2X) Side Frame
- (2X) Leg 1
- (2X) Leg 2
- (1X) Stationary Shelf
- (24X) Screw S1 (#8-32 X 5/16" Phillips Head)

3 Take inventory (**Panels and Doors**)

- (2X) Side Panels
- (1X) Back Panel
- (2X) Doors
- (2X) Handle Assembly
- (20X) Screw S1 (#8-32 x 5/16" Phillips Head)
- (4X) White Washer W1
- (4X) Push in Nut N1

4 Inventory (**Folding Shelves and Final Steps**)

- (2X) Folding Shelves
- (2X) Mounting Brackets 1
- (2X) Mounting Brackets 2
- (8X) Screw S2 (1/4"-20 x 3/8" Phillips Head)
- (9X) Screw S3 (#6-32 x 1/2" Phillips Head - **for Texan Grill Flange**)
- (4X) Screw S4 (1/4" x 1 1/4" Hex Head)
- (4X) E1 - Elevator Bolts
- (4X) Hooks

If any components are missing or damaged, please call KENYON Customer Service at 860-664-4906.

Instructions

Assembling Texan Stand Frame

- 1** Assemble stand on a carpet or soft surface to avoid any dents or scratches.

Kenyon has done our best to deburr the sheet metal, but it can still be sharp, please be mindful when assembling this stand. We recommend using gloves.

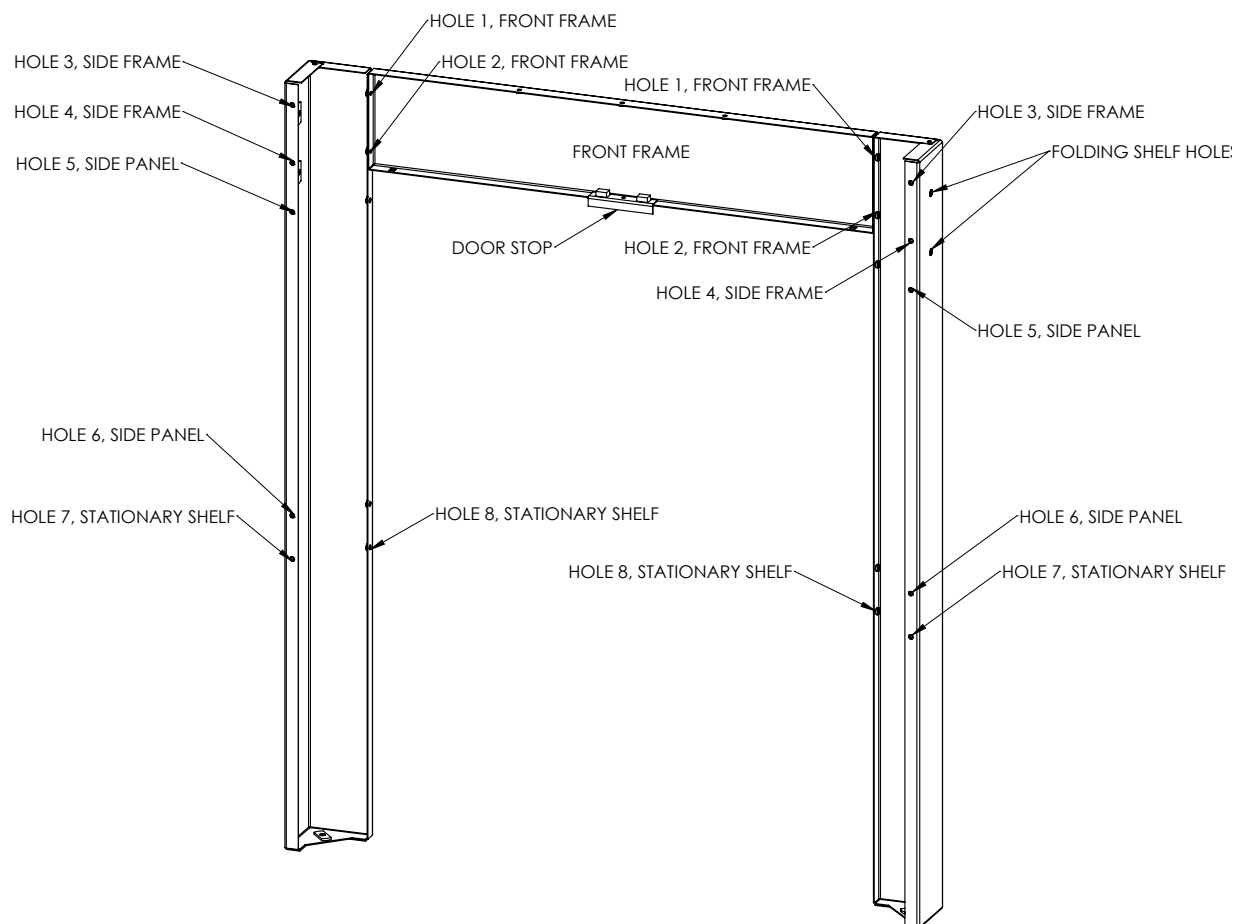
Unpack stand parts carefully, lay the parts out to check for shipping damage.

Be sure to peel back vinyl from all mating surfaces where applicable before each step.

There will be 4 included hooks in this package. These use high bond tape, so strong adhesion is very important. Please thoroughly clean the stainless steel where you want the hooks to be. On the back of the hook there is the double-sided tape. Peel the protective layer off and then stick the hook on firmly. Allow this to set for at least 2 hours before putting any load on the hook.

- 2** Place (1X) Leg 1 and (1X) Leg 2 on the ground, vinyl side down. The holes for the folding shelves (on the legs) should be facing outward. Place the Front Frame vinyl side down, and align the top with the top of the legs. The Front Frame will have the door stop, while the Back Frame will not. Fasten Screw S1 to corresponding hole 1 and hole 2 on both legs, do not fully tighten yet.

Use: Screw S1



Instructions

3 Align the Stationary Shelf with hole 7 and hole 8. The shelf should have the vinyl facing towards the Front Frame and the large hole in the Stationary Shelf should be on the opposite side of the Front Frame, as shown in the next image. Fasten Screw S1 to corresponding hole 7 and hole 8 on both legs, do not fully tighten yet.

Use: Screw S1

4 Connect both Side Frames to the top 2 holes in each Leg. Fasten Screw S1 to corresponding hole 3 and hole 4 in each Leg, do not fully tighten yet.

Use: Screw S1

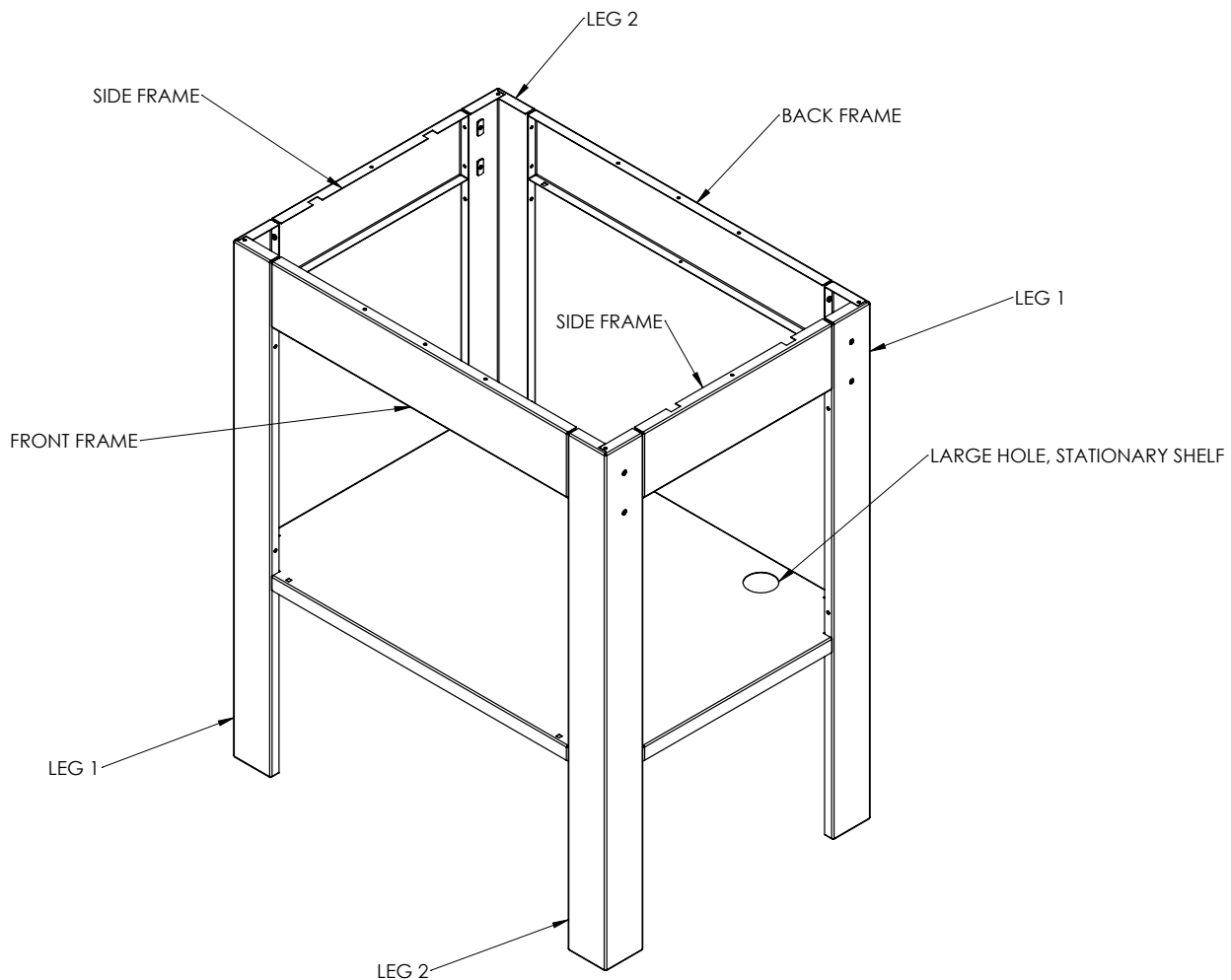
5 Put the final two Legs on now. Start by attaching the legs to the side frames then the stationary shelf. The orientation should be the same as the other legs.

Use: Screw S1

6 Fasten the Back Frame to the rest of the stand now, vinyl side out. Remember that Back Frame does not have a door stop, while the Front Frame does. The square holes should be on the bottom. This will bring the entire Texan Stand Frame together.

Use: Screw S1

7 Take this time to tighten all screws (don't forget under the Stationary Shelf!).



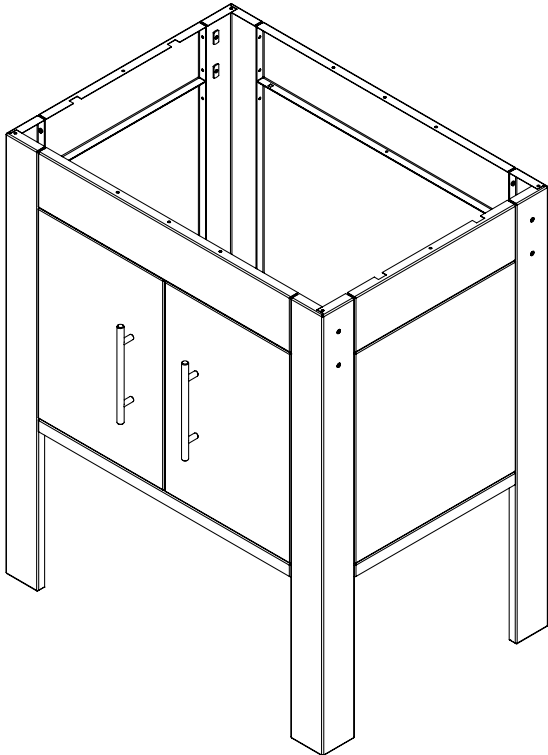
Instructions

Assembling Panels and Doors

Peel vinyl at least 2 inches from each side. This is required for the sides, back and doors to sit flush with the shelf.

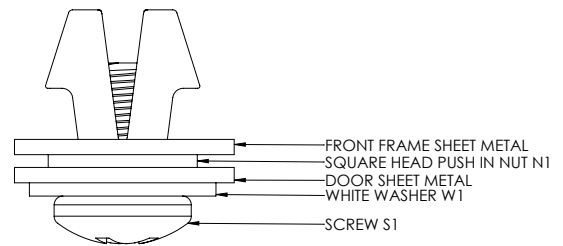
- 8** Next, fasten the handles to the Doors. Take one S1 Screw, put it through the hole on the inside face of the Door. Take the handle assembly and fasten Screw S1 into one of the handle legs. Fasten the other screw into the other handle leg. Repeat with the other Door.

Use: Screw S1



- 9** Now, take the Screw S1, Nylon Nut N1, White Nylon Washers W1, included to assemble the Doors. There are 2 square holes on the Front Frame and 2 square holes on the Stationary Shelf. The Nylon Nuts N1 will snap inside these square holes. Place one White Washer (W1) on Screw S1. Do this with all 4 pivot points on the door set. Tighten until you feel an increase in resistance, over-tightening will strip the nut.

Use: Screw S1, Nut N1, Washer W1



- 10** Using Screw S1, fasten the Back Panel and both Side Panels on the stand. The Back Panel goes on the opposite side of the Doors. These should have a flush mount against the Legs, Stationary Shelf and Top/Side Frames. Tighten all screws used in this step.

Use: Screw S1

- 11** Take this time to tighten all screws (don't forget under the stationary shelf!).

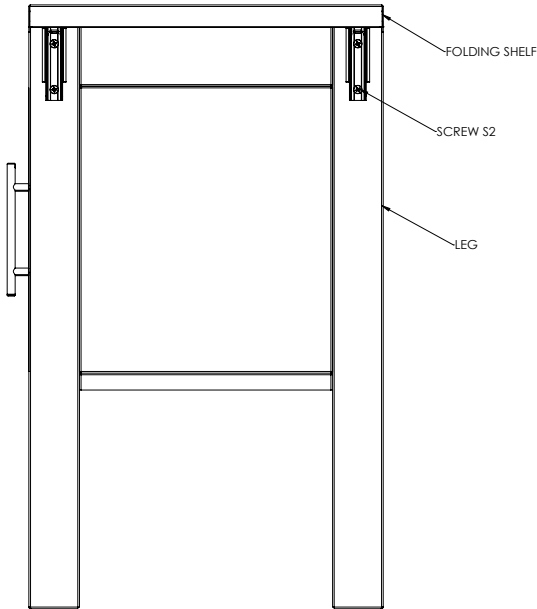
Instructions

Attaching Folding Shelves to Texan Stand and Final Steps

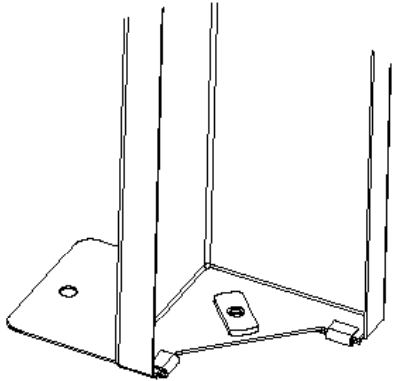
12 Use Screw S2 to attach the Folding Shelf to the Legs. It is important to have a helping hand to balance the Folding Shelf as you are attaching it to the Legs. Repeat this step for the other side.

Use: Screw S2

13 The Folding Shelf can be lifted and lowered into position by lifting both levers on the brackets underneath. Although there are rubber caps on the levers to protect your Stand, do not let the Folding Shelf fall into the down position.

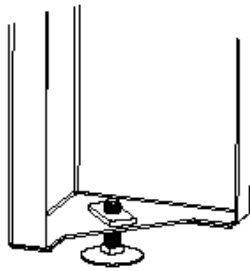


14 If using the Mounting Brackets to fasten the Stand to the deck or patio, find the install location to set the Texan Stand. There are two types of mounting brackets, they are mirrored parts of each other. Attach each Mounting Bracket to each Leg. Use Screw S4 to fasten to the deck or patio.



If you are not using the Mounting Brackets we have included 4 Elevator Bolts that can be screwed into the bottom of each Leg for your convenience. Adjust the elevator bolt to level your stand.

Use: Screw S4 or E1: Elevator bolt

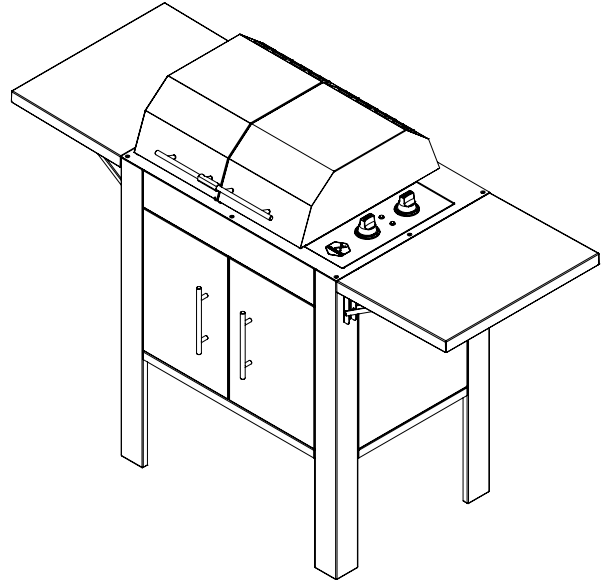


Instructions

15 Congratulations, Your Texan Stand has been assembled! Take this time to tighten all screws (don't forget under the shelves). Now, place the Texan Grill into the stand, please be careful, 2 people recommended. Hold by the strongest part of the flange, as close to the Texan Grill body as possible. Be aware, the flange will bend if held too far out. Fasten the Texan Grill to the stand using Screw S3.

Use: Screw S3

16 Take all of the remaining vinyl off and use this time to clean and polish to put a beautiful shine on the grill and stand's stainless steel. Remember to wipe **with** the grain, never across or diagonally. We have included a sample of stainless steel polish for your convenience.



**Congratulations, go grill your favorite food!
If you have any questions or concerns while assembling, please
do not hesitate to call Kenyon customer service at 860-664-4906.**