

# ASSEMBLY INSTRUCTION

CHD-086

RIALTO SIDE CHAIR

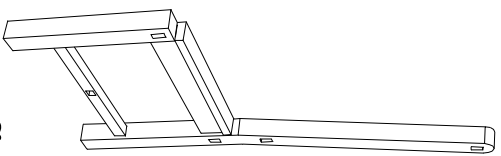


fig 1.

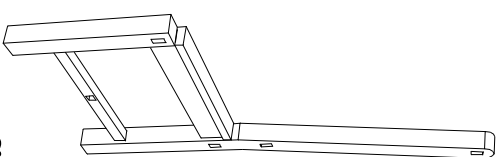


fig 2.

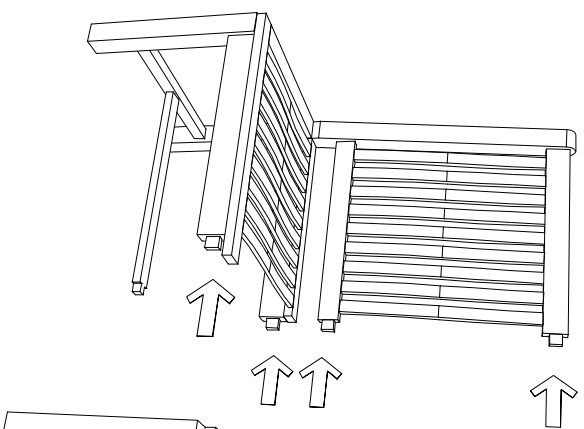
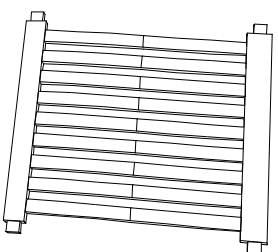


fig 4.

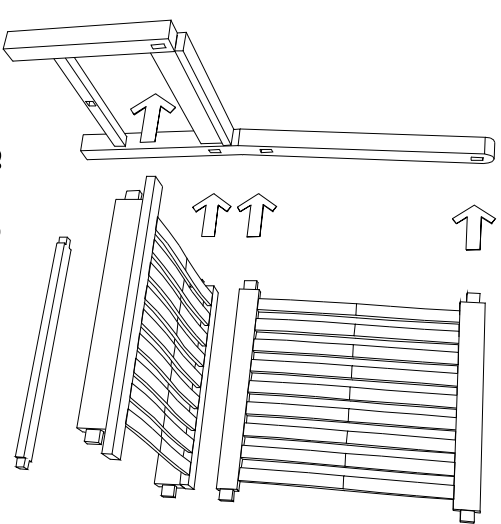


fig 3.

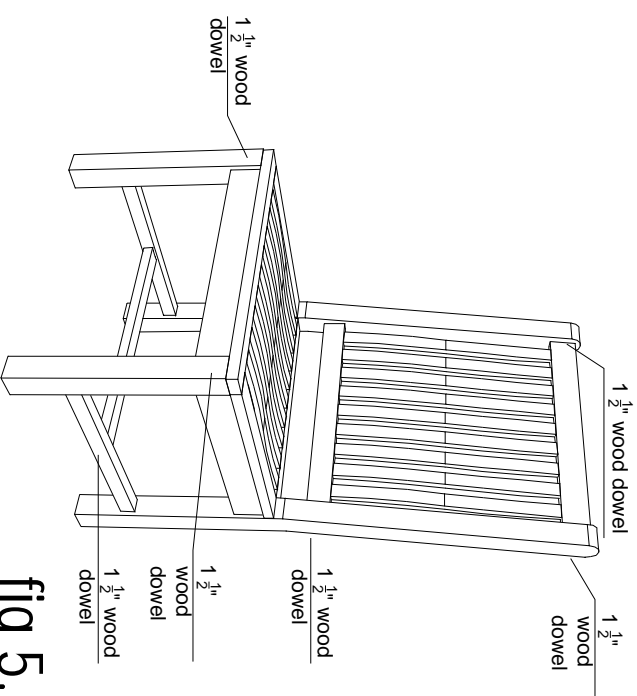


fig 5.

Parts : 2 pcs legs, 1 pc back support, 1 pc seat

Hardware packs

• wood dowels for top & bottom of back support + front leg

Tools requirement

• hammer ( not supplied )

Assembling

1. Prepare a leg. ( Fig. 1 )
2. Put some glue into the leg's mortise
3. Insert the seat, back support. ( Fig. 3 )
4. Insert the other leg. ( Fig. 4 )
5. Put some glue around the wood dowels and insert it into the front legs and back side of the back support.
6. Clean the glue rest using a damp cloth.