

ASSEMBLY INSTRUCTION

CHELSEA DINING ARMCHAIR

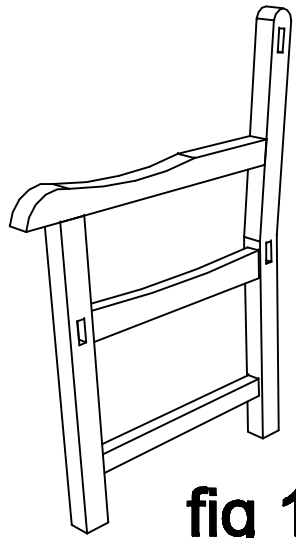


fig 1.

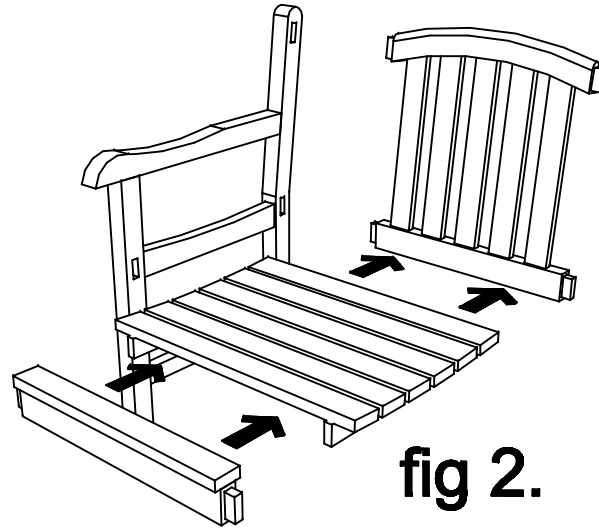


fig 2.

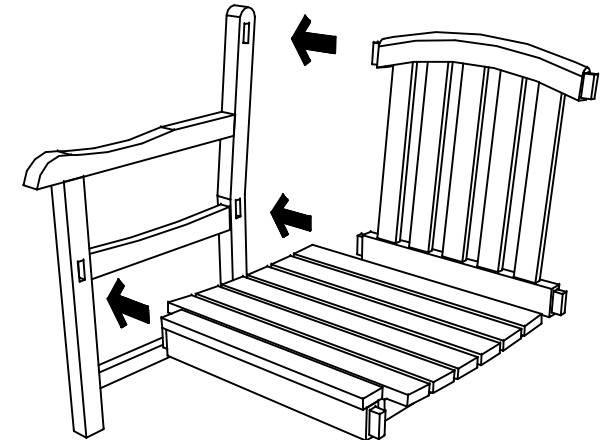


fig 3.

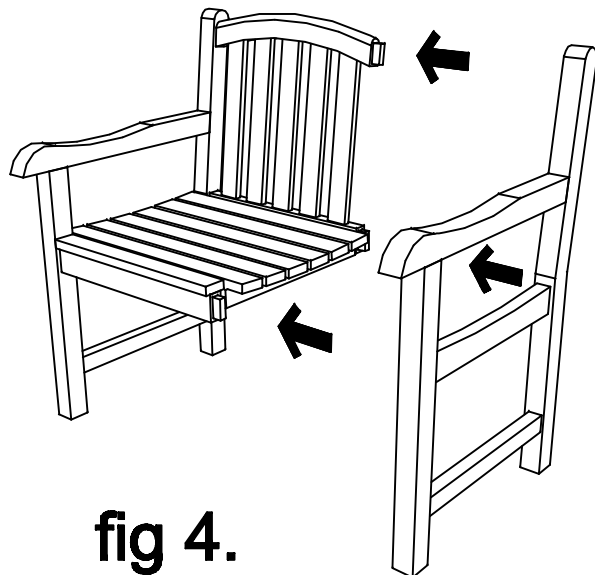


fig 4.

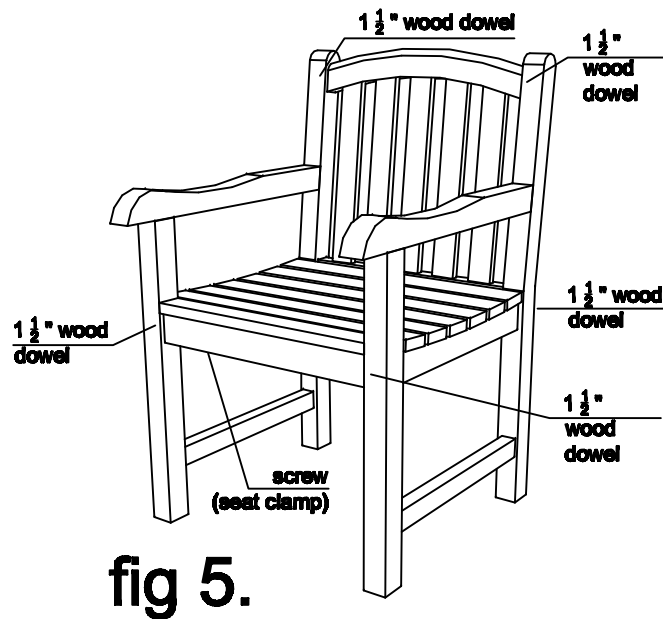


fig 5.

Parts : 2 pec legs, 1 pc back support,
1 pc seat, 1 pc front part of seat

Hardware packs

- ▶ wood dowels for top & bottom of back support + front leg
- ▶ wood screws to clamp seat

Tools requirment

- ▶ hammer (not supplied)
- ▶ screws driver (not supplied)

Assembling

1. Prepare a leg. (Fig. 1)
2. Put some glue into the leg's mortise
3. Insert the seat, front part of the seat, back support. (Fig. 2)
4. Insert to the leg. (Fig. 3)
5. Insert the other leg. (Fig. 4)
6. Put some glue around the wood dowels and insert it into the front legs and back side of the back support.
7. Screw the seat clamp (under the seat) to the legs.
8. Clean the glue rest using a damp cloth.