

ASSEMBLY INSTRUCTION

CASABLANCA BACKLESS CHAIR

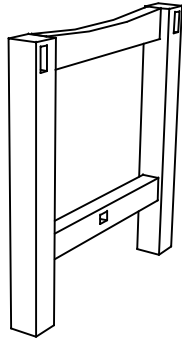


fig 1.

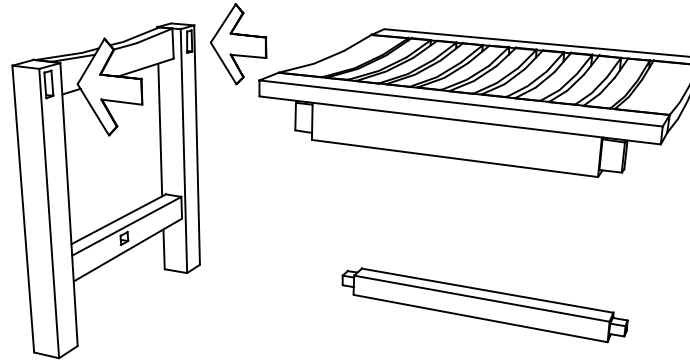


fig 2.

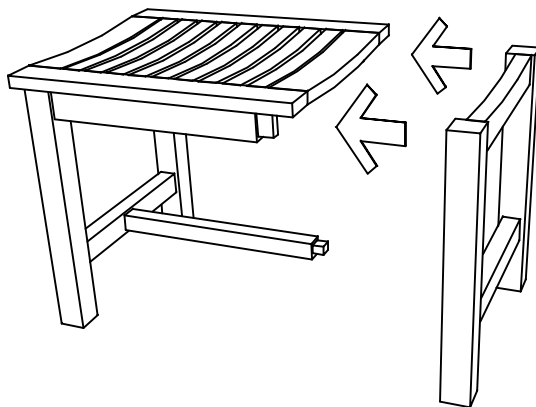


fig 3.

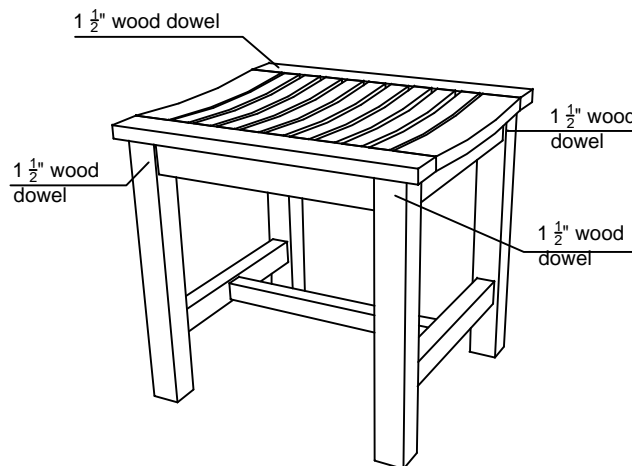


fig 4.

Parts : 2 pcs legs, 1 pc seat,
1 pcs leg's support

Hardware packs

- wood dowels for front & back of legs

Tools requirement :

- hammer (not supplied)

Assembling

1. Prepare a leg. (Fig. 1)
2. Put some glue into the leg's mortise
3. Insert the seat and leg's support to the leg. (Fig. 2)
4. Insert the other leg. (Fig. 3)
5. Put some glue around the wood dowels and insert it into the front and back side of legs.
6. Clean the glue rest using a damp cloth.