

ASSEMBLY INSTRUCTION

CHD-2020

WINDHAM DINING CHAIR

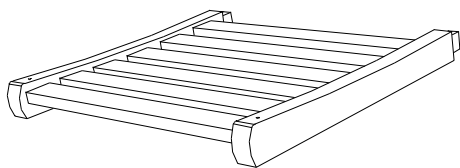


fig 1.

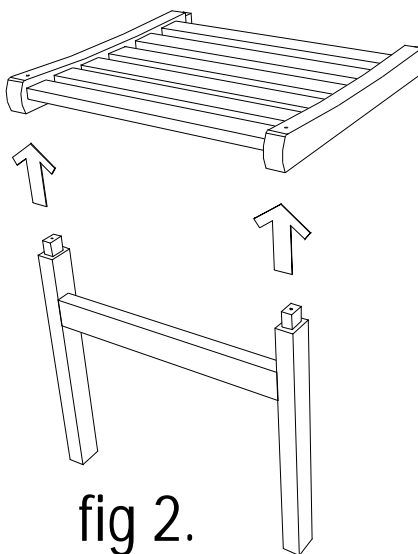


fig 2.

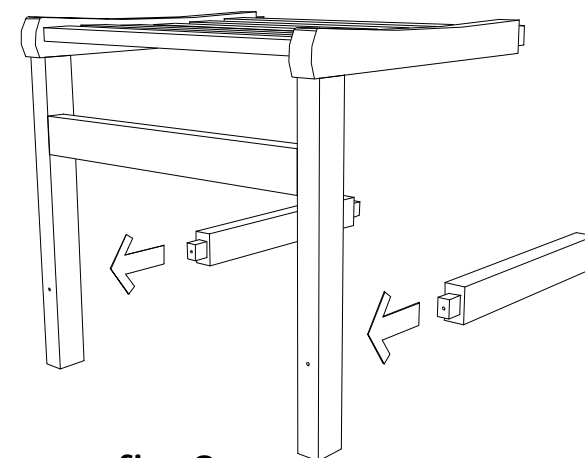


fig 3.

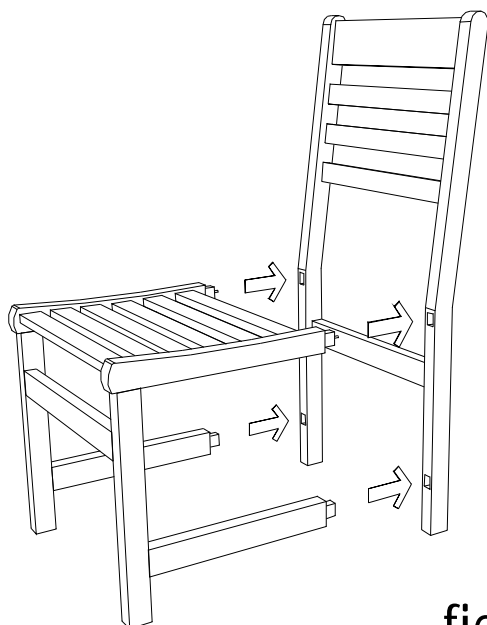


fig 4.

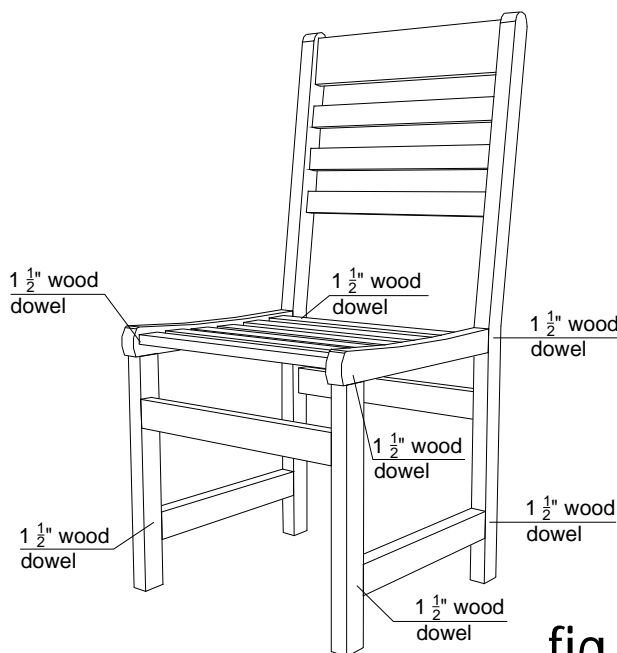


fig 5.

Parts : 2 pcs legs, 1 pc leg's support, 1 pc seat

Hardware packs

- wood dowels for front & back of legs's support + seat

Tools requirement

- hammer (not supplied)

Assembling

1. Prepare a seat. (Fig. 1)
2. Put some glue into the seat's mortise
3. Insert the front leg to the seat. (Fig. 2)
4. Insert the leg's support. (Fig. 3)
4. Insert the other leg. (Fig. 4)
5. Put some glue around the wood dowels and insert it into the front legs and back side of the back support.
6. Clean the glue rest using a damp cloth.