



Colonial and Grand Colonial Fire Pit Tables

Installation Instructions for

Colonial-48-M-K, Col-48-MNB-K, Grand-Colonial-48-K, CM-48-DIN-K, MNB-48-DIN-K,
GC-48-DIN-K, CM-48-PUB-K, MNB-48-PUB-K, GC-48-PUB-K
Chat/Dining/Pub Height Colonial Tables



Contents

Included Components.....3-6

Assembly instructions.....7-13

Gas Connections.....14

Installing Igniter.....15-16

Placing propane tank and finishing touches.....17

Required Tools



- **Utility Knife**

To cut and remove packaging



- **2 Open Ended Wrenches**

To make gas connections



- **Leather Gloves**

To protect hands from rough edges found on the coffee table.



- **One (1) AAA Battery (not included)**

Required for piezoelectric igniter installation.



- **Electric screw gun with Phillips bit (Granite tops only)**

Depending on which model you purchased, turn to the corresponding page in this manual for installation instructions.

Included with Chat-Height Grand Colonial (Instructions begin on page 7)
(Model: Grand-Colonial-48-K)



Tabletop frame

Base with door

Granite Pieces (x4)



Top-Securing Bracket



#8-1/2" washer head screw (x4)

Included with Chat Height Colonial with Supercast Top (Instructions begin on page 9)
(Model: Colonial-48-M-K, Col-48-MNB-K)

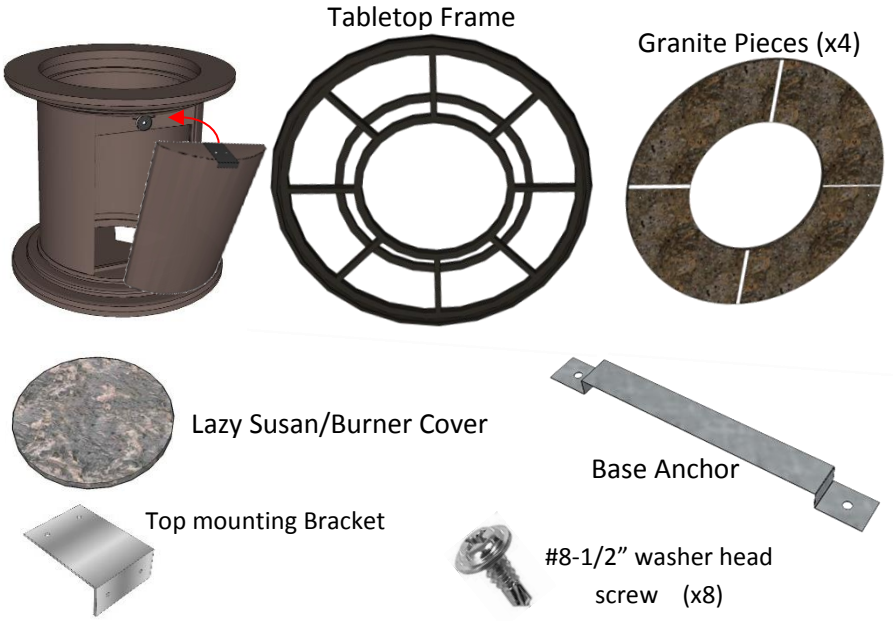


Base with door

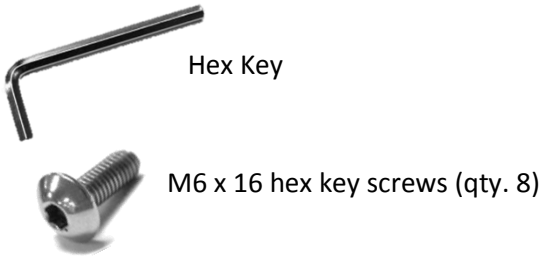
Supercast Tabletop with center

Included with Dining Height Grand Colonial (flip to page 11 for assembly instructions)
(Model: GC-48-DIN-K)

Dining-height base
with door



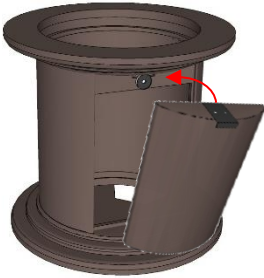
Note: A hardware pack is included with the aluminum tabletop frame. The parts listed below will be taken from that hardware kit. Other parts included in this kit can be discarded after installation is complete.



Included with Dining Height Colonial with Supercast Top

(Model: CM-48-DIN-K, MNB-48-DIN-K) (flip to page 10 for assembly instructions)

Dining-height base
with door



Supercast Tabletop with center burner cover



Base Anchor

Included with Pub Height Colonial with Supercast Top

(Model: CM-48-PUB-K, MNB-48-PUB-K) (flip to page 10 for assembly instructions)

Dining-height base
with door



Supercast Tabletop with center burner cover



Base Anchor

Included with Pub Height Grand Colonial

(Model: GC-48-PUB-K)

(flip to page 11 for assembly instructions)

Pub-height base
with door



Tabletop Frame



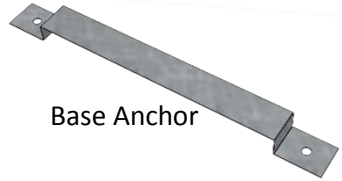
Granite Pieces (x4)



Lazy Susan/Burner Cover



Top mounting Bracket



Base Anchor



#8-1/2" washer head
screw (x8)

Note: A hardware pack is included with the aluminum tabletop frame. The parts listed below will be taken from that hardware kit. Other parts included in this kit can be discarded after installation is complete.



Hex Key



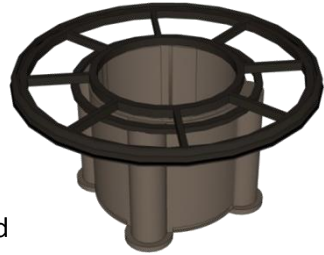
M6 x 16 hex key screws (qty. 8)

Assembling the Grand Colonial

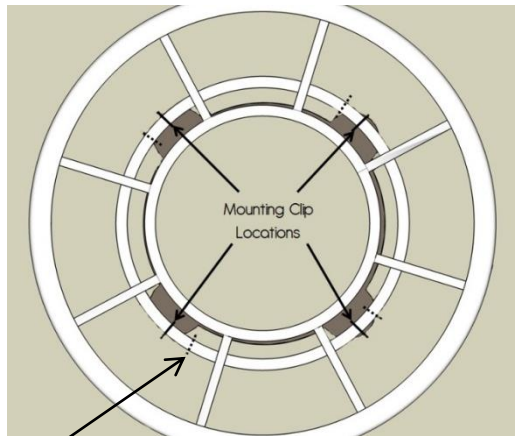
Instructions For Model Grand-Colonial-48-K ONLY

1. Remove all components from packaging and inspect for damage or missing parts.
2. Move the base to desired location and set into place before installing granite.
 - When locating your coffee table, refer to the Crystal Fire manual and maintain clearance to combustibles.

3. Place top on base as shown.

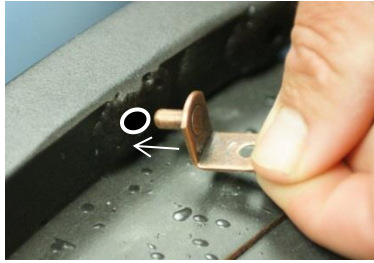


4. Line top up with base as shown. Holes in tabletop frame are also used for an alternate installation so not every hole will line up directly centered in each corner of the base. This is normal, as only 4 of these holes are used in this installation. A solid line in the diagram at right indicates the approximate location of the holes used for mounting. Dashed lines are unused holes.



Dashed lines: Holes not used for this installation

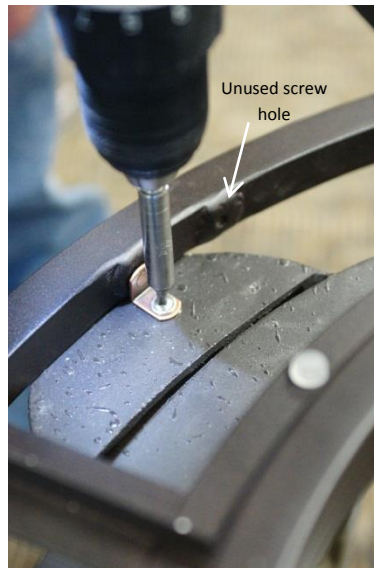
4. With top centered on base and one hole approximately centered on each corner of the base, insert a mounting clip into mounting hole (refer to image at right.)



5. Insert one of the included screws through the hole in the mounting clip and screw into the table base. Do not over-tighten as this may cause stripping.



If stripping occurs, rotate the top approximately 1" and re-insert all screws.



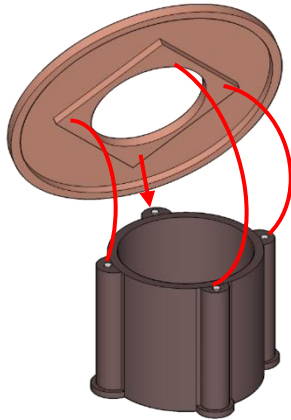
6. With top securely fastened to base, set granite sections into place, polished side up.

7. Gently lower your crystal fire burner into the burner cutout and continue to the page 14 for gas hookup and igniter hookup instructions.

Colonial Table Setup

Instructions For Model Colonial-48-M-K and COLONIAL -48-MNB-K ONLY

1. Remove all components from packaging and inspect for damage or missing parts.
2. Place the fiberglass table base in your desired location on flat, level ground.
3. Line up top as shown to ensure foam pads contact the underside of the top.

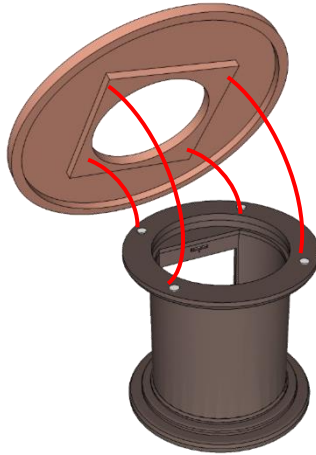


4. With help from another person, gently set concrete top onto the base and center it. If the top doesn't sit flat, ensure that it is lined up correctly. For a more permanent installation, an outdoor-rated construction adhesive or silicone can be used to attach the top to the base.
5. Gently lower your crystal fire burner into the burner cutout and continue to the page 14 for gas hookup and igniter hookup instructions.

Dining and Pub-height Colonial Table Setup

Instructions For Models CM-48-DIN-K, MNB-48-DIN-K, CM-48-PUB-K,
MNB-48-PUB-K ONLY

1. Remove all components from packaging and inspect for damage or missing parts.
2. Place the fiberglass table base in your desired location on flat, level ground.
3. Line up top as shown to ensure foam pads contact the underside of the top.



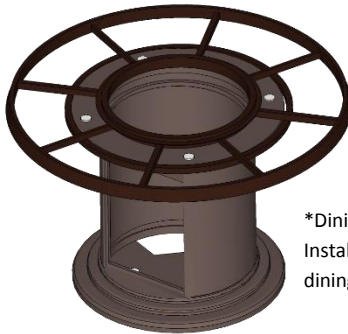
*Dining-height base shown.
Installation is the same for
dining and pub-height models

4. With help from another person, gently set concrete top onto the base and center it. If the top doesn't sit flat, ensure that it is lined up correctly. For a more permanent installation, an outdoor-rated construction adhesive or silicone can be used to attach the top to the base.
5. Gently lower your crystal fire burner into the burner cutout and continue to the page 14 for gas hookup and igniter hookup instructions.
6. Refer to page 13 for anchoring instructions.

Dining and Pub-height Grand Colonial Table Setup

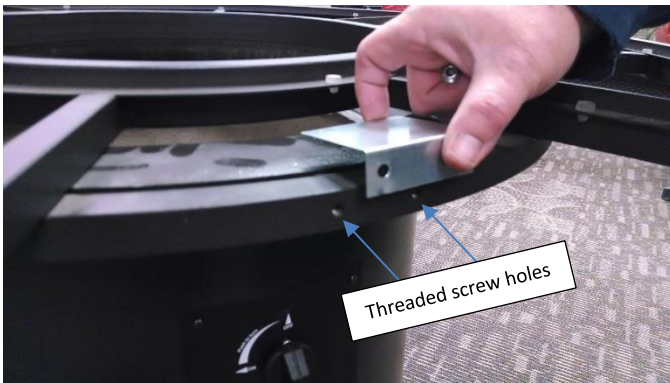
INSTRUCTIONS FOR MODELS GC-48-DIN-K, GC-48-PUB-K ONLY

1. Remove all components from packaging and inspect for damage or missing parts.
2. Place the fiberglass table base in your desired location on flat, level ground.
3. See page 13 for important anchoring instructions.
4. Set the aluminum top into place as shown (do not let metal rest on foam pads)



*Dining-height base shown.
Installation is the same for dining and pub-height models

5. Set metal brackets into place and line up with the hole locations around the aluminum frame.



6. Insert M6x16 hex key screws as shown and tighten with the included Hex key.



8. Using the included #8-1/2" Washer head screws, secure mounting brackets to base. Use extreme caution not to over-tighten the screws in order to keep them from stripping.



9. Insert granite panels into the frame, polished side up as shown.

10.

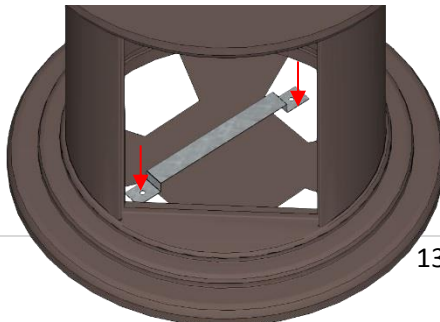


11. Gently lower your crystal fire burner into the burner cutout and continue to page 14 for gas hookup and igniter hookup instructions

Anchoring Instructions for Dining and Pub-Height Colonials

Pub-height Colonial models must be anchored to the surface they are located on in commercial or other environments where tipping risk is present. Anchoring of dining-height colonials is optional but recommended.

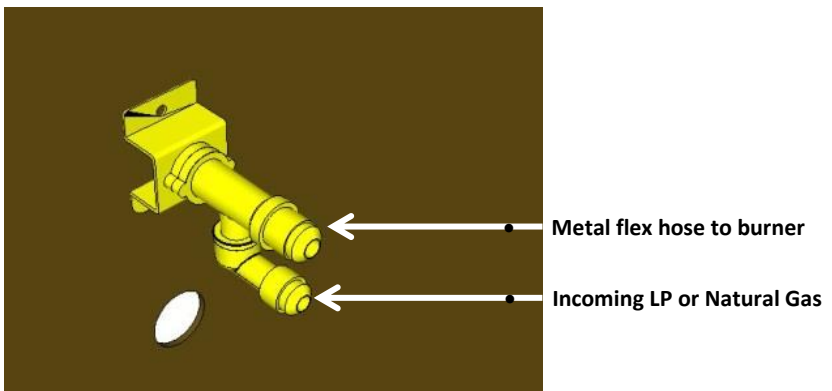
- With base in its final position, set the included metal anchoring bracket into place as shown and secure to the mounting surface with appropriate hardware (not included) for the surface being mounted to. (concrete anchors, wood deck screws, etc.) If the holes in the bracket are too large, washers should be used to ensure screw or bolt heads do not slip through.



Read and understand your Crystal Fire burner owner's manual before beginning burner hookups or using the device.

Gas Connection

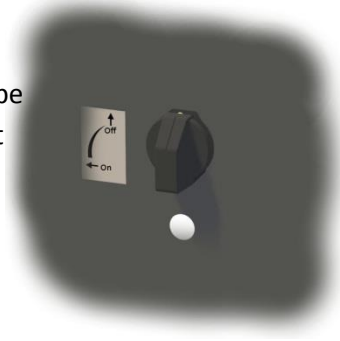
1. With proper orifice installed for the application (#43 for propane, #31 for natural gas) and metal flex hose attached, set burner in base.
2. Connect the incoming gas hose (black rubber hose from propane tank or incoming natural gas line) to the valve and tighten securely with two wrenches. Repeat with flexible metal gas line from the valve to the underside of burner. It is not recommended to use Teflon tape or pipe dope on the connection to the valve with flare fittings.
 - LPG installations use the hose and regulator provided with the burner.
 - For Natural Gas hookup information and any other info not listed here consult your Crystal Fire owner's manual.



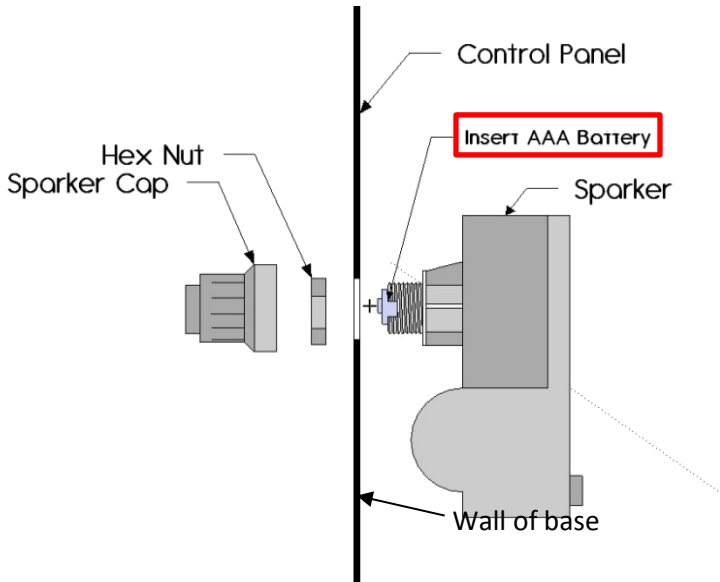
Igniter Installation

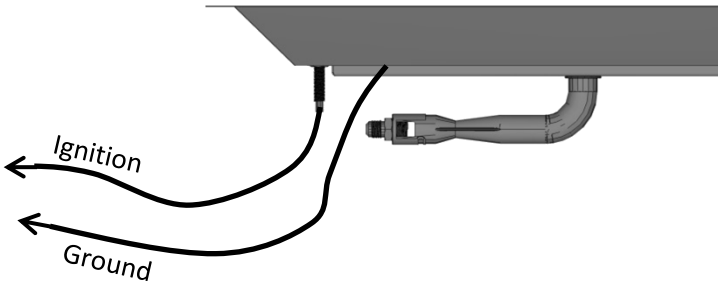
1. Make sure the valve is in the OFF position

*Gas valve can be turned to adjust flame height



2. Unscrew sparker cap and hex nut (sparker included with burner). Install as shown below.





3. To properly install ignition system, an Ignition and Ground wire need to be attached to the igniter box.
 - Start by plugging the black Ignition wire hanging from the burner in to one port on the back of the igniter (either side is fine).
 - Next; plug the Ground wire into the open port on the igniter box.
 - Test system by depressing the button on the igniter. A continuous repeating spark at the igniter on the burner means everything is connected properly. Consult the troubleshooting section of your crystal fire owner's manual if spark is weak, intermittent, or not present.

4. Once ignition system is grounded and gas connections are secured and checked for leaks, set the burner back into its original position if it was removed during gas hookup.

Locating your Tank

1. Your tank should be positioned so that the fuel can be shut off after each use.
2. Set tank inside base with adequate clearance to burner so the two are not touching.
3. Confirm all hoses are clear and not touching the burner.

Finishing touches

Once fire pit is set up and in the desired position, scatter decorative glass on burner surface forming an even layer of beads.

- **DO NOT BURN WITHOUT GLASS OR OTHER DECORATIVE HEAT-SAFE MEDIA PRESENT**

IMPORTANT

Please consult your Crystal Fire instruction manual for detailed instructions and important information related to hooking up your linear burner, including safety information, proper tightening of connections with two wrenches and full burner setup and lighting instructions.

DO NOT ATTEMPT TO INSTALL CF-20 BURNER WITHOUT FIRST CONSULTING THE MANUAL. IF YOU ARE UNSURE OF HOW TO COMPLETE THE STEPS OUTLINED, CONSULT A QUALIFIED TECHNICIAN

WARNING

After consulting the manual and following instructions, remember; before operating, all gas connections must be fully checked for leaks

Warranty: Fire pit tables are covered under a 1-year manufacturer's warranty. Please visit <http://www.outdoorrooms.com/warranty-form> to register your product.

© 2014 The Outdoor GreatRoom Company

14400 Southcross Drive West • Suite 100 • Burnsville, MN 55306
Toll Free: 1-866-303-4028 • Sales@OutdoorRooms.com