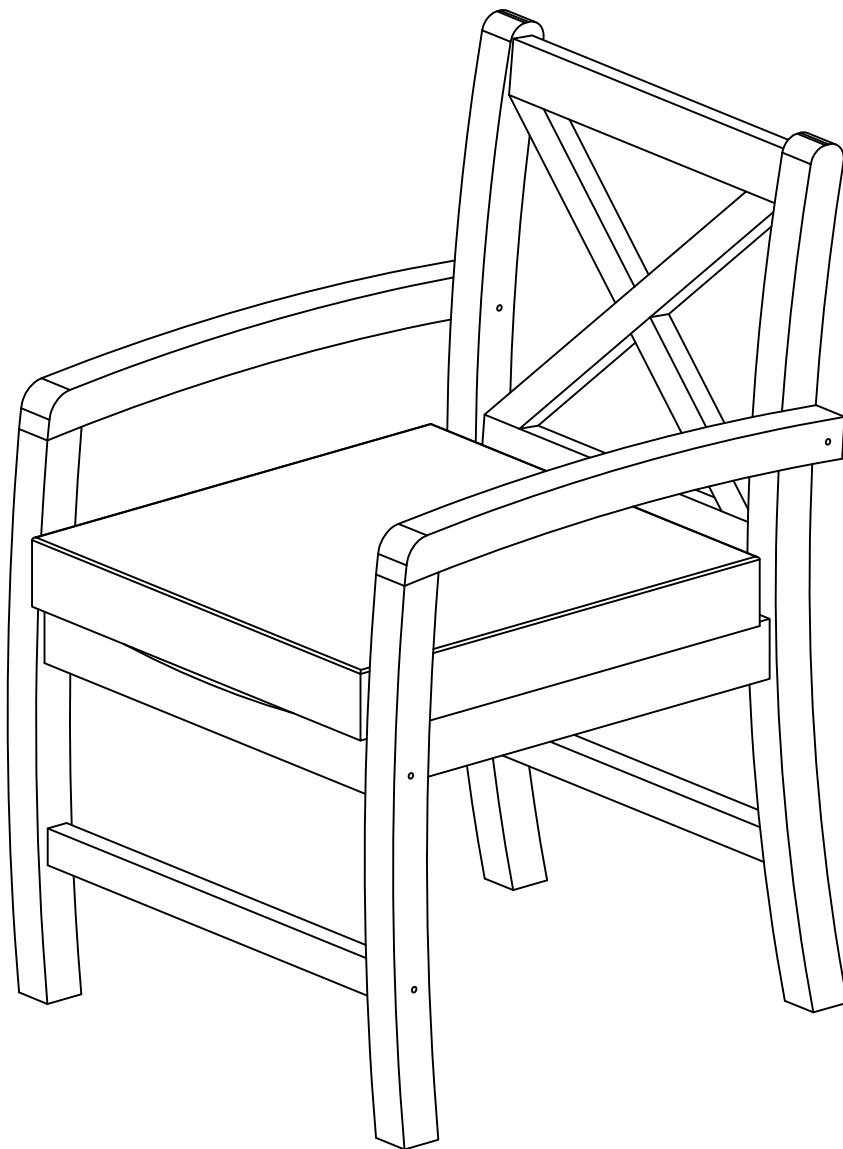


**W** Walker<sup>®</sup>  
Edison  
furniture company

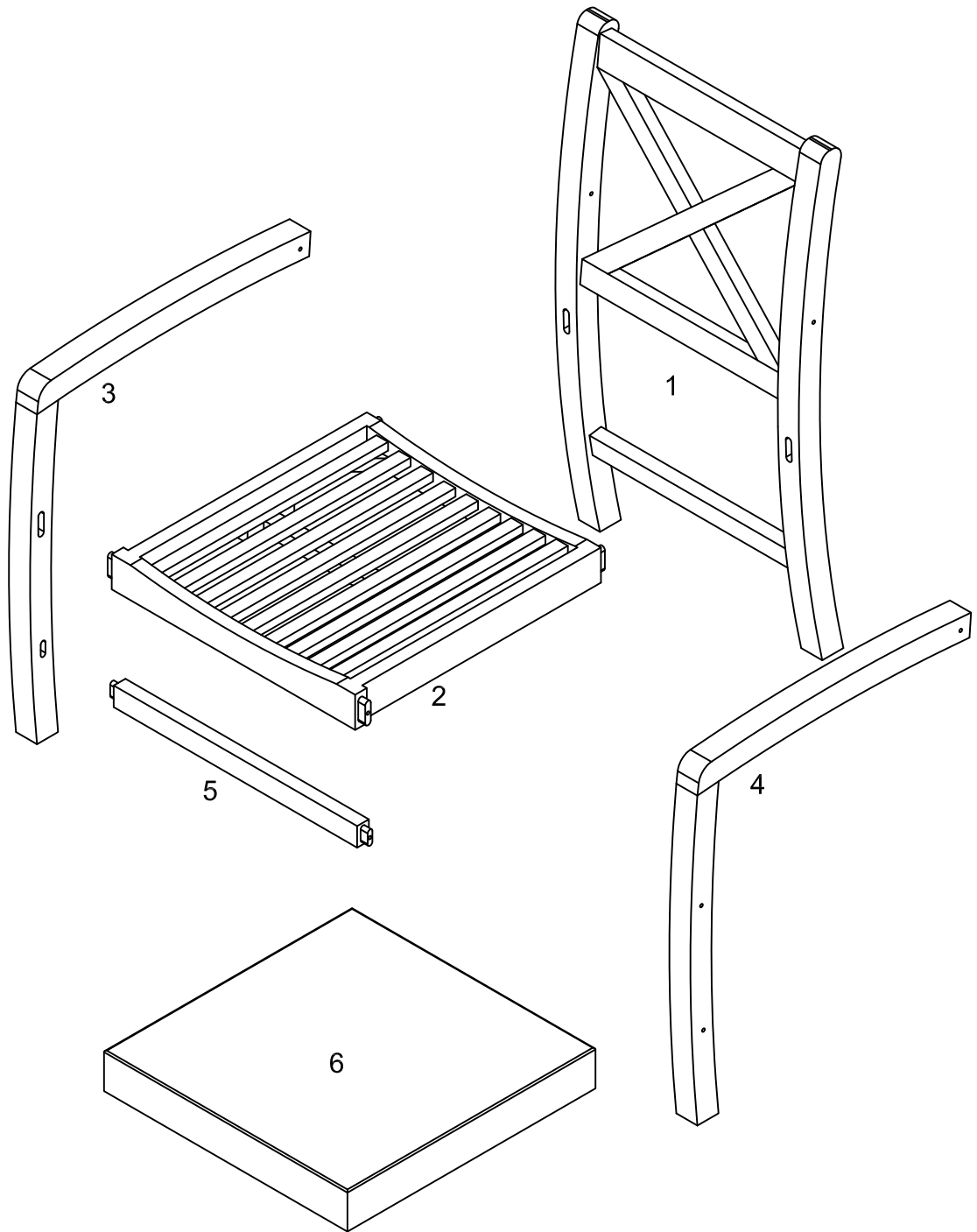
Item # : OWXB2  
Assembly Instructions



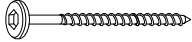



*To request missing, lost or broken parts , or for any other customer service issues,  
please visit our website at [www.walkeredison.com](http://www.walkeredison.com) or call us at 877-207-5906.*

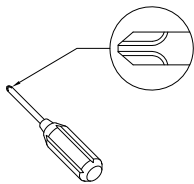
Revised 12/2016

# Parts List



# Hardware List

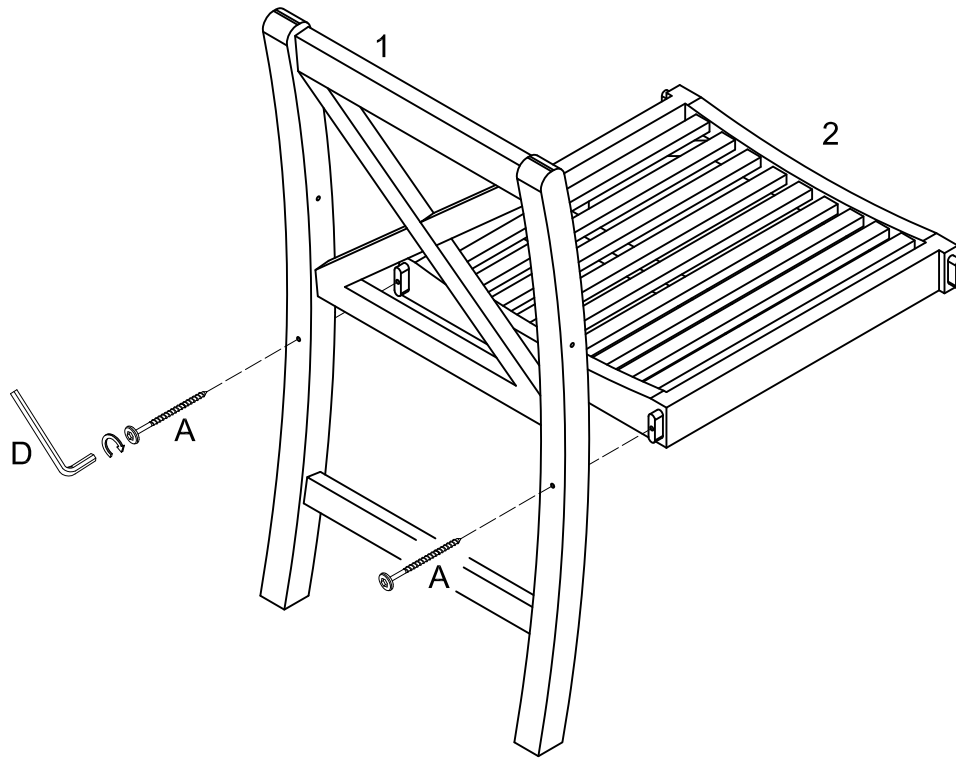
A		M7*90	Screw	12 pcs
B		M8*80	Bolt	4 pcs
C			Nut	4 pcs
D		M4	Wrench	2 pcs



Philips head screwdriver required for assembly  
(not included)

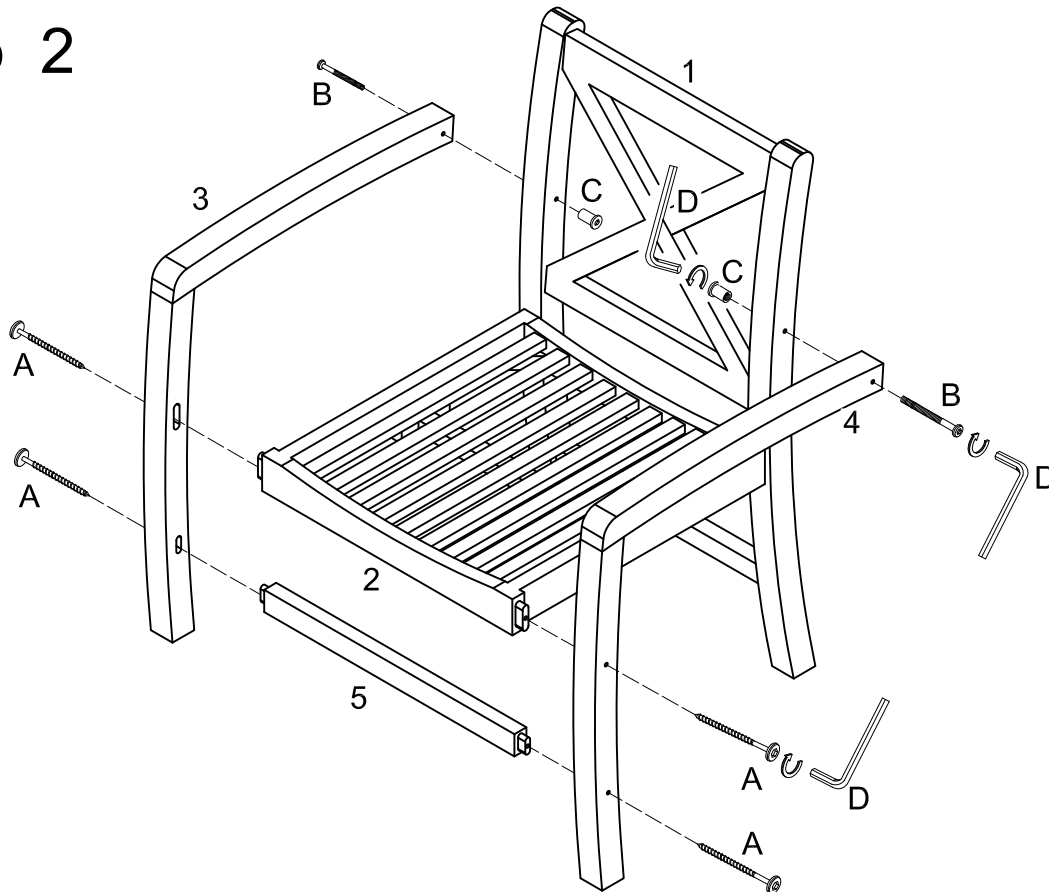
*The hardware quantities listed above are required for proper assembly.  
Some extra hardware may also have been included.*

# Step 1



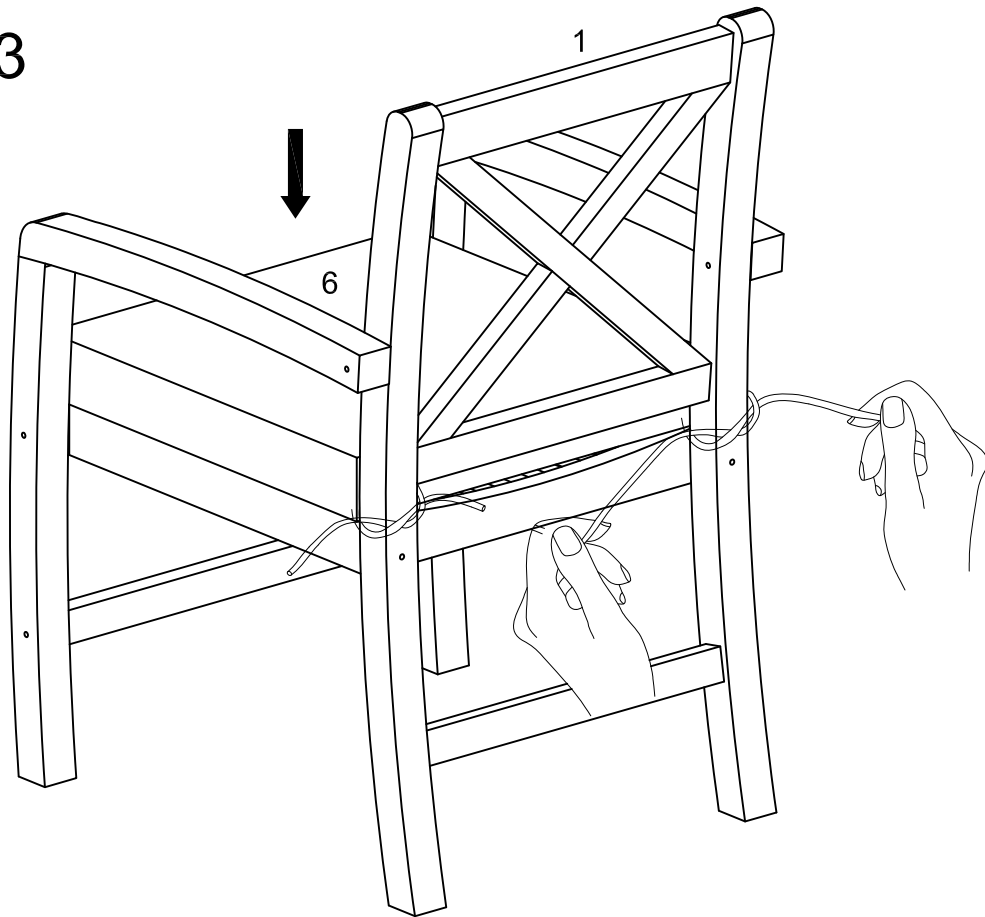
Use Wrench (D), Screw (A) to secure the Back Frame (1) to the Seat Frame (2).

# Step 2



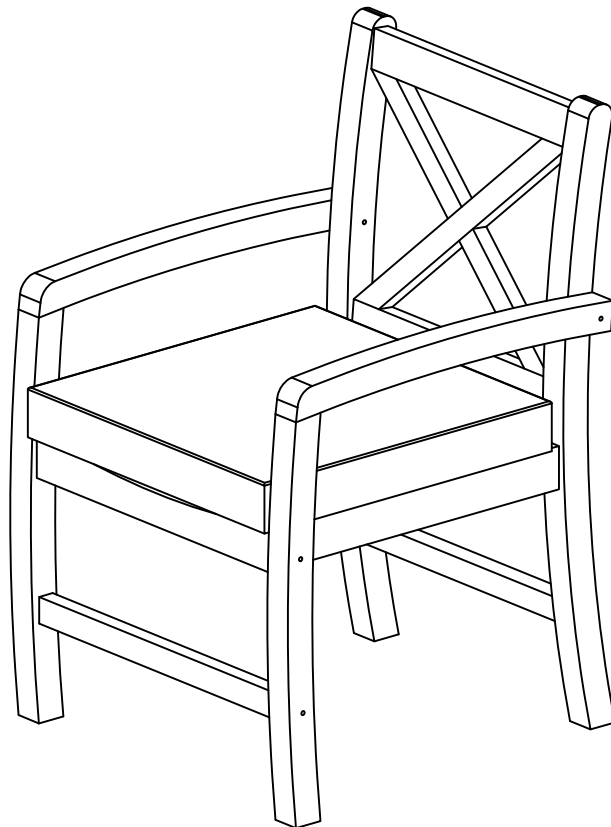
Use Wrench (D), Secure (A), Bolt (B), and Nut (C) to secure the Side Frame (3,4) to the Back Frame (1), Seat Frame (2), and Support Bar (5).

## Step 3



Put the Seat Cushion (6) on top of the Seat Frame (2). And tie the cushion rope to the Back Frame (1) as per diagram.

## Step 4



### Final Assembly