

SPECIFICATION SHEET



PART NAME: SINGLE ROCKER SWITCH

DESCRIPTION: Wall mounted rocker switch

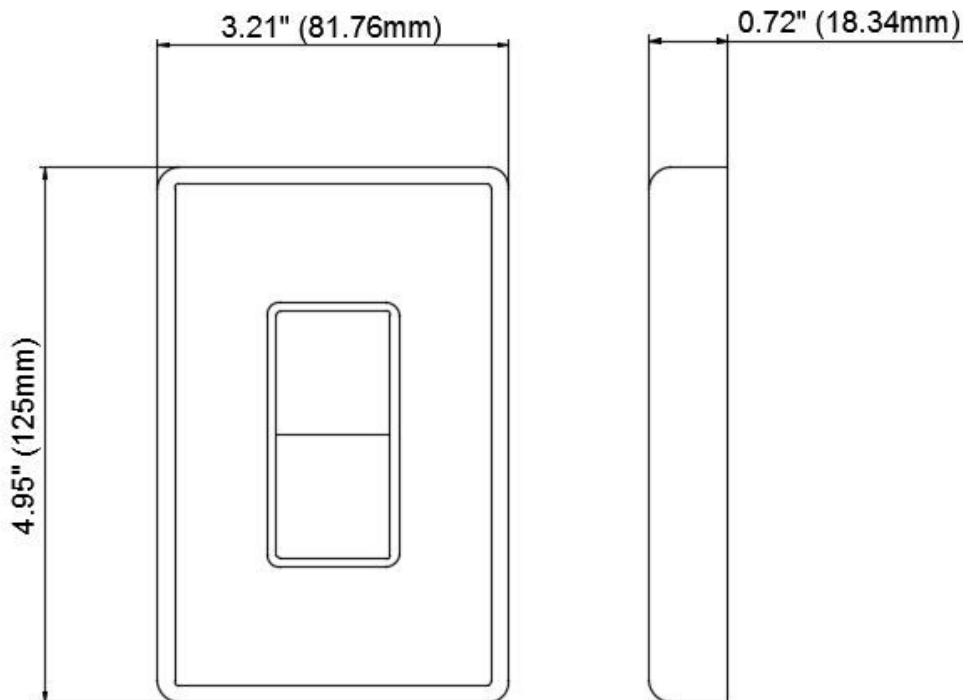
PART No: HUSA03

APPROVALS: FCC SZV-PTM210U (USA)
IC 5713A-PTM210U (Canada)

FEATURES: Can control one heater individually or one zone of multiple heaters
Wireless wall switch (no wires required down the wall)
Batteryless
Detachable face plate
Fits inside standard double junction box

Note: See the Product Manual for more detail

NOTE: To be used with RELAY HUSA05



Heatstrip USA LLC.

1-877-222-0063 (Toll Free)

www.heatstripusa.com

info@heatstripusa.com

PMB 532,

415 Laurel St,

San Diego, CA 92101

616 Corporate Way,

Suite 2-5771,

Valley Cottage, NY 10989

**HEATSTRIP
USA**