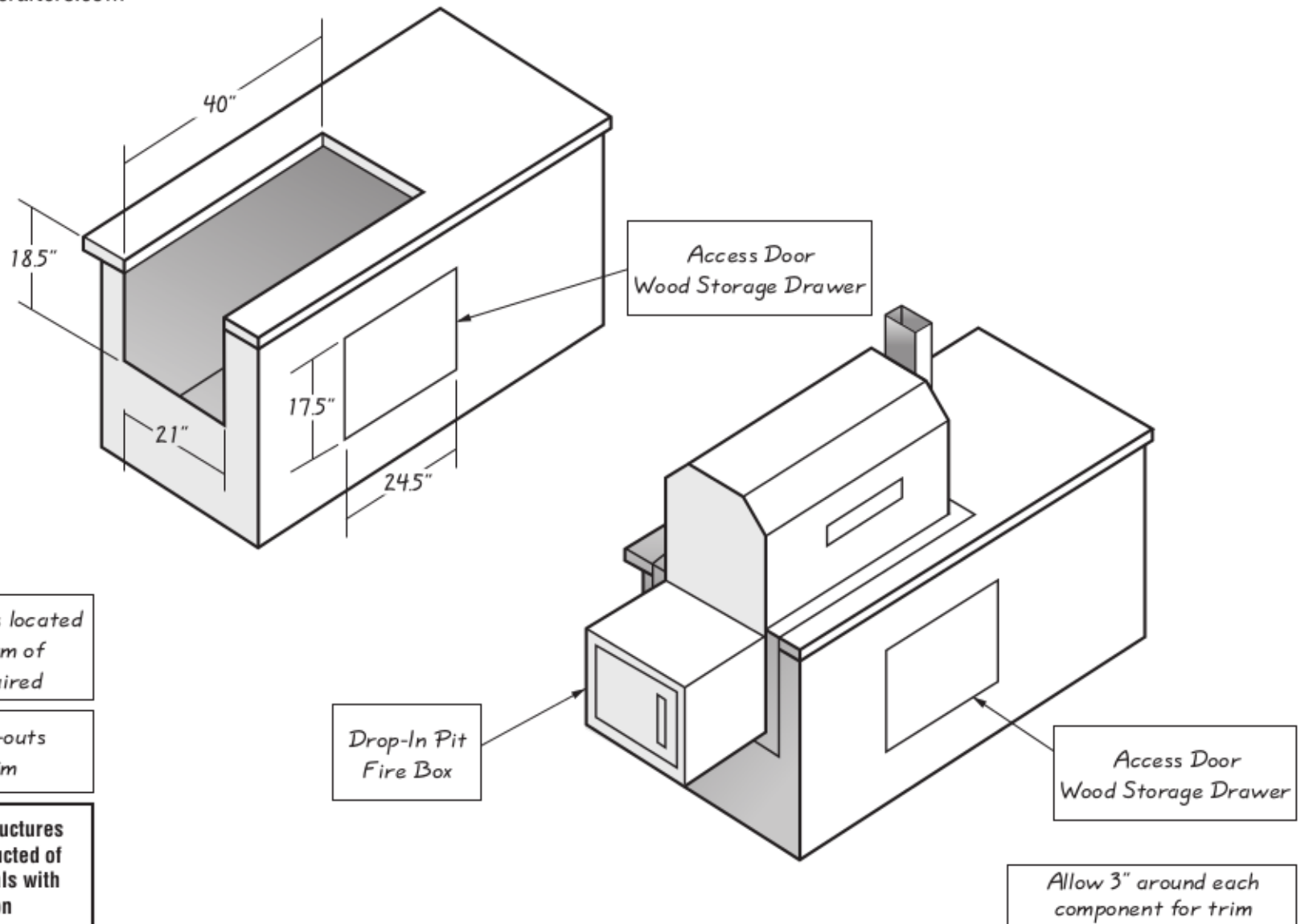


TEXAS PIT CRAFTERS

P.O. Box 83
Tomball, Tx 77377
877-697-PITS (7487)
www.texaspitcrafters.com

PM 500 & PM 500 S
Built-In BBQ Pit/Smoker
Cut-Out Dimensions



If Back splash or wall is located
behind unit, a minimum of
11" clearance is required

Allow 3" around cut-outs
for supporting trim

WARNING: Island and structures
should always be constructed of
noncombustable materials with
adequate ventilation