

ASSEMBLY INSTRUCTION

DS-I83BH
BRISBANE DEEP SEATING BENCH

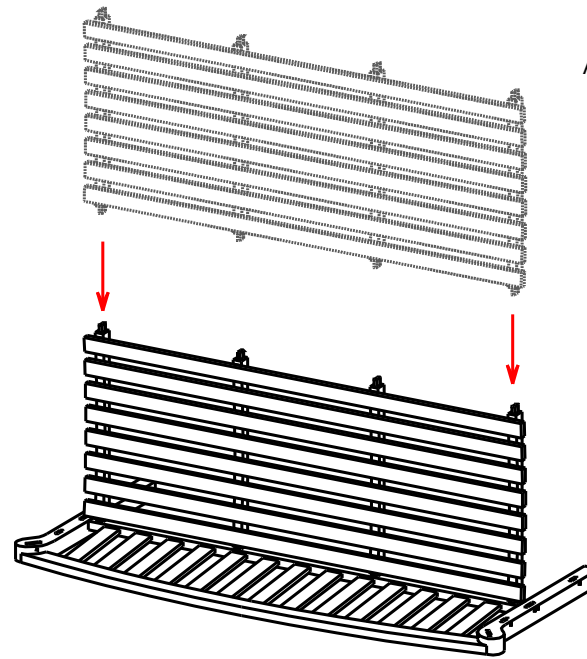
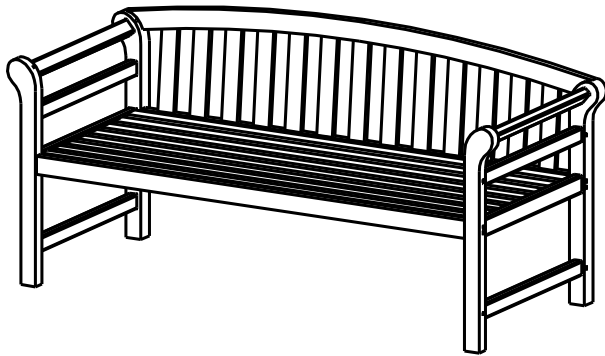


FIG.1

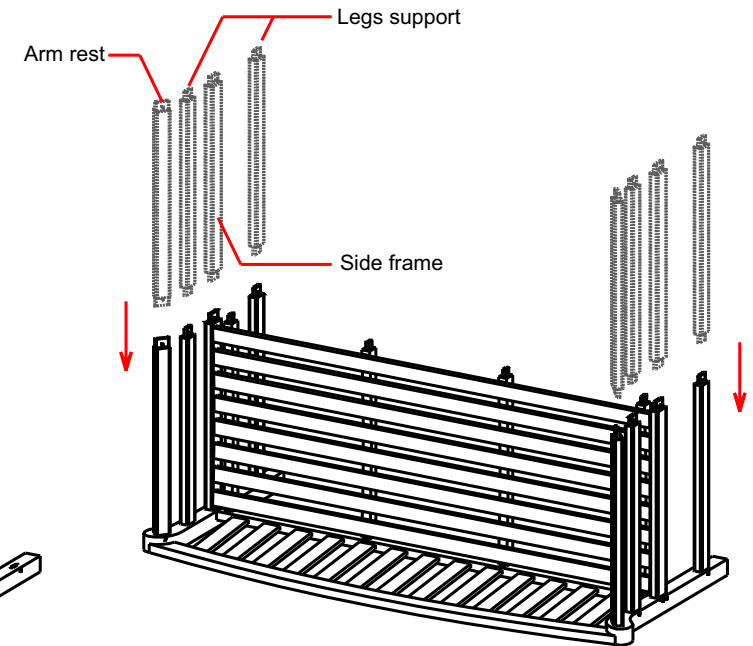


FIG.2

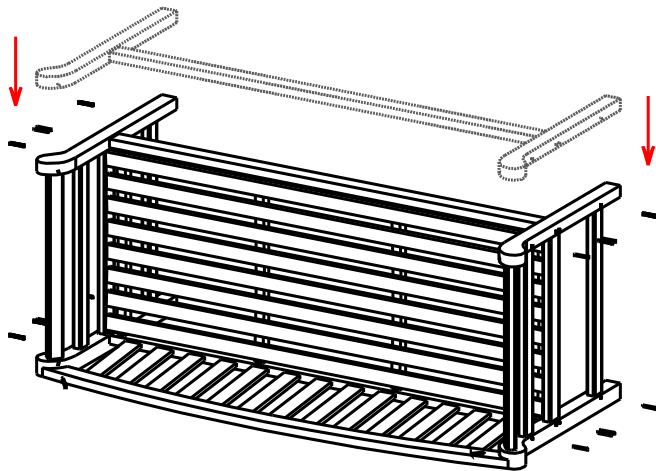


FIG.3

Part List :

- 1 pc Backrest, 1 pc Legs front, 1 pc seat base, 2 pcs armrest,
2 pcs side frame, 4 pcs legs support

Assembling :

1. Prepare the Seat base and Backrest. Then put glue around the tenon in Seat base and Insert legs into Backrest (FIG.1)
2. Insert support legs, side frame, and armrest (Right & lift) which has been given glue on the tenon according to the code to Backrest (FIG.2)
3. Then insert front legs to Seat base, support legs, side frame, and armrest (FIG.3)
4. Insert to wood dowel on the all hole