

# ASSEMBLY INSTRUCTION

DS-3013

## SOUTH BAY DEEP SEATING SOFA

Parts : 2 pcs legs, 1 pc seat

Hardware packs

- wood dowels for front & back leg's support

Tools requirement

- hammer ( not supplied )

Assembling

1. Prepare the leg. ( Fig. 1 )
2. Put some glue into the front seat's mortise
3. Insert the leg to the seat. ( Fig. 2 )
4. Insert the other leg. ( Fig. 3 )
5. Put some glue around the wood dowels and insert it into the front legs and back side of the seat.
6. Screw the seat clamp ( under the seat ).
7. Clean the glue rest using a damp cloth.
8. Recline backsupport. ( Fig. 4 )

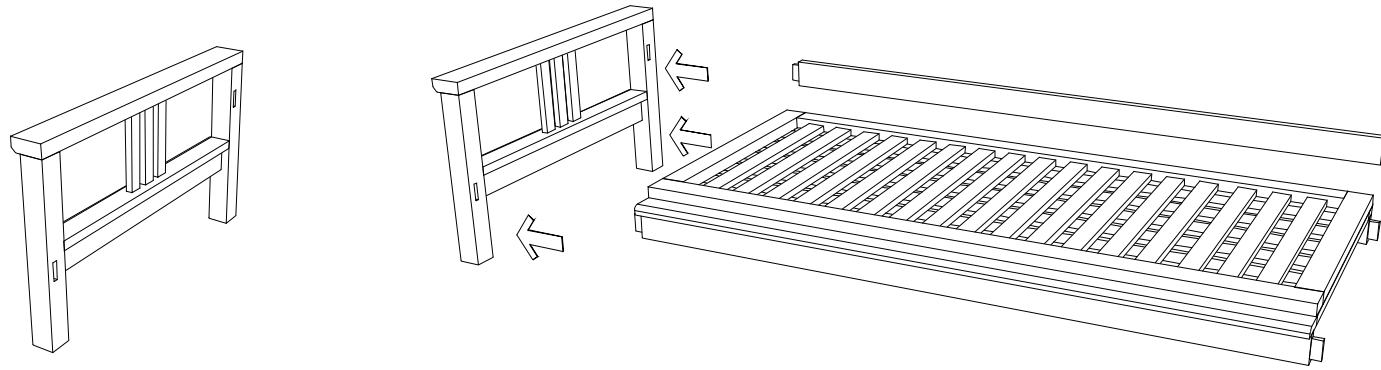


fig 1.

fig 2.

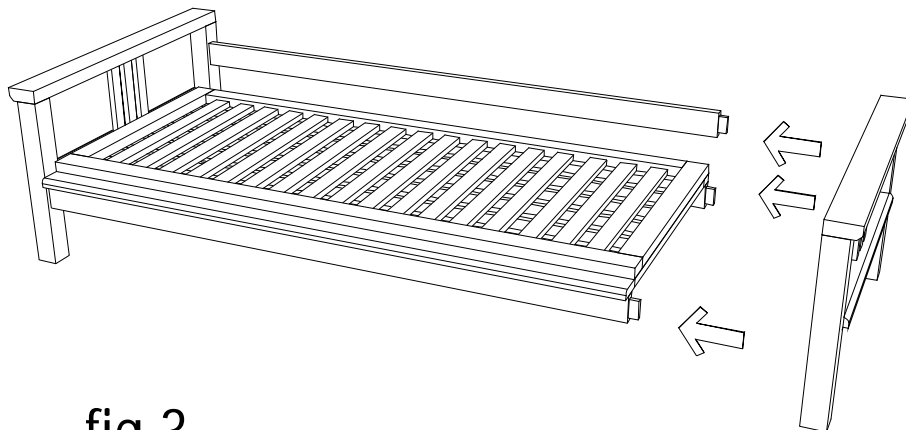


fig 3.

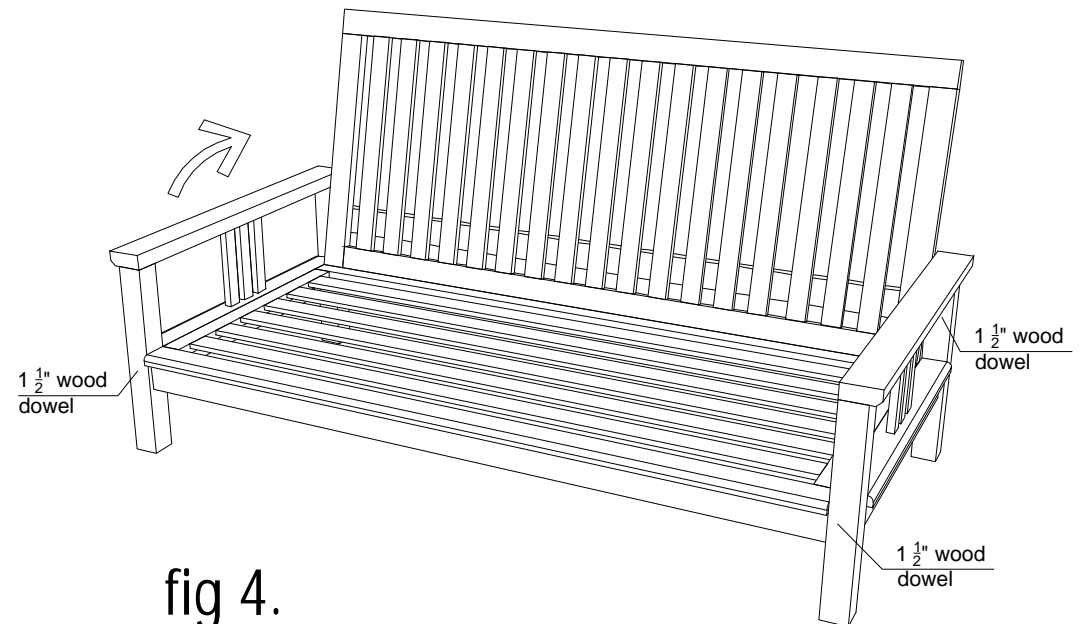


fig 4.