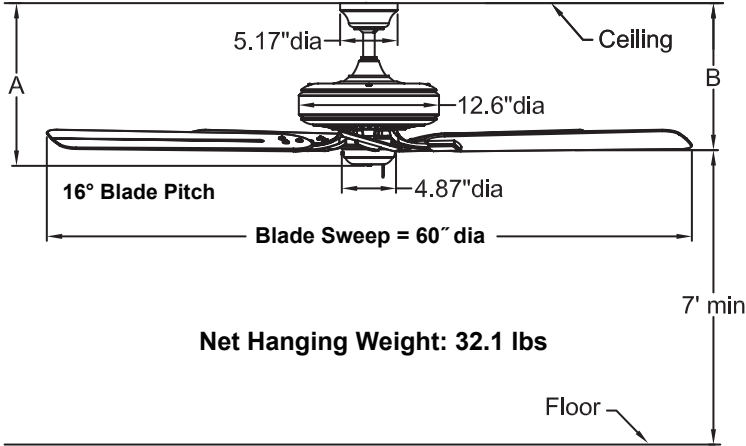




EDGEWOOD® SERIES

TF971 Deluxe Wet Location Fan**



	A	B
Fan w/4.5" downrod	14.62"	13.22"
Fan w/12" downrod	22.12"	20.72"
Fan w/18" downrod	28.12"	26.72"
Fan w/24" downrod	34.12"	32.72"
Fan w/36" downrod	46.12"	44.72"
Fan w/48" downrod	58.12"	56.72"
Fan w/60" downrod	70.12"	68.72"
Fan w/72" downrod	82.12"	80.72"

INSTALLATION REQUIREMENTS:

Fan must be attached to a securely anchored electrical junction box capable of withstanding a load of at least 50 lbs.

ELECTRICAL REQUIREMENTS:

Requires a grounded electrical supply line of 120 volts AC, 60 Hz, 15 amp circuit.

MOTOR SPECS:

212 x 25 motor is designed for optimal performance with this fan. Fan is Energy Star Rated. 220 VAC, 50 Hz export version available.

BLADES:

A set of five 26" all-weather composite wood blades is included.

CONTROL OPTIONS:

Optional CW1, CW1SW, CW2, CW5 and CWRL4 wall controls and CRL4WH and CRL8TS remote controls (with receiver units) are available—sold separately. Instructions are provided with each control.

LIGHTING OPTIONS:

Optional lighting fitters and light kits are available. See our catalog or visit www.fanimation.com for available lighting options.

DOWNROD OPTIONS:

Fan comes with 1" dia. x 4.5" long downrod. Optional downrods available in 12", 18", 24", 36", 48", 60", and 72" lengths. A downrod coupler is available for installations requiring a downrod longer than 72". Fan can be mounted on a sloped ceiling upto 30°. Most sloped ceiling installations require a downrod longer than the standard 6" downrod. Call technical support for more information.

LOCATION USE:

Fan is rated for dry, damp and wet locations.

Available Finishes		
Fan / Housing Assembly		Blades - Traditional
AZ	Aged Bronze	Dark Cherry
SN	Satin Nickel	Mahogany
WH	White	White

Airflow / Energy Efficiency Info (120V)					
Fan Speed	Max RPM	CFM	CFM / Watts	Amps	Watts
High	159	8963	106	0.73	84.3
Med	115	6596	132	0.56	49.8
Low	74	4001	182	0.37	22.0