



HALO

VERSA 16

OUTDOOR PIZZA OVEN

ESSENTIALS GUIDE

# TABLE OF CONTENTS

MEET THE VERSA 16 OUTDOOR PIZZA OVEN	04
FEATURES OF YOUR VERSA 16	06
VERSA 16 ACCESSORIES	08
<b>RECIPES</b>	
HALO QUICK DOUGH	10
HALO BEST PIZZA DOUGH	12
STUFFED BELL PEPPERS	14
HOMEMADE CINNAMON ROLLS	16
QUICK START TIPS	18
<b>OWNER'S MANUAL</b>	20
CSA - EN	21
CARING FOR YOUR VERSA 16	22
CONNECTING 1 LB. CYLINDER	26
CONNECTING 20 LBS. TANK	28
LIGHTING INSTRUCTIONS	30
TROUBLESHOOTING	32
VERSA 16 PARTS LIST	34
FIVE (5) YEAR LIMITED WARRANTY	37

<b>MANUAL DEL USUARIO</b>	<b>40</b>
CSA - ESPAÑOL	<b>41</b>
EL CUIDADO DE SU VERSA 16	<b>42</b>
CONEXIÓN DE UN CILINDRO DE 1 LB.	<b>46</b>
CONEXIÓN DEL TANQUE DE 20 LBS.	<b>48</b>
INSTRUCCIONES DE ENCENDIDO	<b>50</b>
SOLUCIÓN DE PROBLEMAS	<b>52</b>
LISTA DE PIEZAS DE VERSA 16	<b>54</b>
GARANTÍA LIMITADA DE CINCO (5) AÑOS	<b>57</b>
<b>MANUEL DU PROPRIÉTAIRE</b>	<b>60</b>
CSA - FRANÇAIS	<b>61</b>
ENTRETIEN DE VOTRE VERSA 16	<b>62</b>
CONNEXION 1 LB. CYLINDRE	<b>66</b>
CONNEXION 20 LBS. RÉSERVOIR	<b>68</b>
INSTRUCTIONS D'ÉCLAIRAGE	<b>70</b>
DÉPANNAGE	<b>72</b>
LISTE DES PIÈCES DE LA VERSA 16	<b>74</b>
GARANTIE LIMITÉE DE CINQ (5) ANS	<b>77</b>

# MEET THE VERSA 16 OUTDOOR PIZZA OVEN

Nothing says Cook, Gather and Create Memories like pizza!

The Versa 16 Outdoor Pizza Oven was created with you in mind. With the help of the rotating stone and dual burner, we have taken the guess work out of achieving the ultimate pizza and much more!

We strive to Rise Above in both who we are and what we create. Our mission is to be a catalyst for re-connecting people and enhancing the experience of cooking outdoors—In the greatness of nature, on-the-go, and in your backyard.

The entire team here at Halo thanks you for joining our community. We look forward to serving you by listening and continuing to bring you authenticity, versatility and innovation.

- Halo Team



# FEATURES OF YOUR **VERSA 16**



## **DUAL BURNER SYSTEM**

Infrared heated stone and back burner creates desired even cooking.



## **16" ROUND CORDIERITE STONE SURFACE**

Perfect for cooking up to a 16" pizza.



## **HINGED ACCESS**

Easy access for cleaning.



## **PROPANE FUELED**

Designed to connect a 1 lb or a 20 lb propane tank. **NEW FEATURE** - adjustable regulator between 9.5" to 11" WC for more temperature control. Perfect for on-the-go or in the backyard.



## **BATTERY POWERED/AC ADAPTER ROTATION**

Created for convenience and hands free cooking.

## **QUICK WARM UP TIME**

Ready to cook in 12 minutes.



## **EFFICIENT COOK TIME**

Cooks a large pizza in under 5 minutes.



## **HEAT INDICATOR**

Heat to an accurate desired temperature.



## **WIDE RANGE TEMPERATURE**

Reaches up to 950°F.



# ACCESSORIES

FOR USE WITH

# VERSA 16

OUTDOOR PIZZA OVEN

# COOK + SERVE PIZZA KIT



# VERSA 16 OUTDOOR PIZZA OVEN COVER





# NATURAL GAS CONVERSION KIT



AVAILABLE ONLINE 9  
AT HALO-PG.COM\*

# RECIPES



# HALO QUICK DOUGH

## INGREDIENTS

- 15 oz. water
- 2 tsp. active dry yeast
- 22 oz. bread flour
- 2.5 tbsp. olive oil
- 2 tsp. salt
- 2 tsp. sugar



4 DOUGH BALLS  
(12 IN. PIZZAS)



MIXER  
(OPTIONAL)



2 HOURS

## DIRECTIONS

### STEP ONE

Add yeast to warm water in a large bowl (approximately 98°F), and set aside for 5 minutes. In another large bowl, add the flour and sugar, mix together.

### STEP TWO

Add olive oil to the water and yeast, followed by generous amounts of the flour mixture to the water mixture. If hand mixing/kneading, pour all of the flour mixture into the water mixture. Add salt halfway through. Knead/mix until it's mostly bound together and a bit sticky.

### STEP THREE

Cut into 9.5-10oz dough balls (comfortable 12" medium pizzas) and shape them with your hands to create a sphere shape.

### STEP FOUR

Place into greased, airtight containers with enough room for the dough to double in size. Allow to proof for 2 hours.

### STEP FIVE

Lightly dust with flour to counter the stickiness. Begin to shape and top your pizzas!

# RECIPES



# HALO BEST PIZZA DOUGH

## INGREDIENTS

15 oz. water  
1 tsp. active dry yeast  
22 oz. bread flour  
2.5 tbsp. olive oil  
2 tsp. salt  
3 tsp. sugar



**4 DOUGH BALLS**  
(12 IN. PIZZAS)



**MIXER**  
(OPTIONAL)



**12-24 HOURS**

## DIRECTIONS

### STEP ONE

Add yeast to warm water in a large bowl (approximately 98°F), and set aside for 5 minutes. In another large bowl, add the flour and sugar, mix together.

### STEP TWO

Add olive oil to the water and yeast. Add generous amounts of the flour mixture to the water mixture 1 cup at a time (if machine mixing). If hand mixing/kneading, pour all of the flour mixture into the water mixture. Add salt halfway through kneading to avoid killing the yeast. Knead/mix until reasonably together, not perfect.

### STEP THREE

Place into airtight container with enough room for dough to double in size. Cover top of dough with plastic wrap to prevent "elephant skin." Immediately move to fridge to bulk ferment for a minimum of 12 hours and max of 24 hours.

### STEP FOUR

After bulk fermentation, cut into 9.5–10 oz. dough balls (comfortable 12" medium pizzas) and place into airtight containers. If making pizza that night, allow dough balls to sit at room temperature for at least 2 hours before stretching. Dough balls can continue to individually ferment in fridge for up to 1 week.

### STEP FIVE

Lightly dust the dough with flour as you shape your pizzas!

# RECIPES





# STUFFED BELL PEPPERS



SERVES 6



VERSA 16



20 MINUTES

## INGREDIENTS

- ½ Cup of Rice or Quinoa
- 1 Medium Onion
- 2 tbsp. Tomato Paste
- 2 tbsp. Minced Garlic
- 1 lb. of Ground Beef
- 14.5 fl.oz. Canned Tomatoes
- 1 tsp. Oregano
- 1 Green Onion
- 6 Bell Peppers
- Cheese

## DIRECTIONS

### STEP ONE

Remove the tops and destem the inside of the peppers.

### STEP TWO

Precook the ground beef and choice of grain.

### STEP THREE

Mix the chopped onions, tomatoes and tomato paste, cooked meat and cooked rice.

### STEP FOUR

Add mixture to the pepper and top with cheese, green onion and oregano.

### STEP FIVE

Cook on Versa 16 for 4 minutes or until pepper is cooked.

# RECIPES





# HOMEMADE CINNAMON ROLLS

## INGREDIENTS

### DOUGH:

4 cups All-Purpose Flour  
1/2 cup Granulated Sugar  
3/4 tsp. Fine Sea Salt  
1/3 cup Butter  
1 cup Lukewarm Whole Milk  
2 1/4 tsp. Instant Yeast  
2 Eggs  
1 Egg Yolk

### SUGAR MIX:

1 cup Brown Sugar  
1 tbsp. Powder Sugar)  
2.5 tbsp. Cinnamon  
1/3 cup Butter

### DOUGH:

#### STEP ONE

Mix all dry ingredients in a large mixing bowl.

#### STEP TWO

Mix your milk and yeast together with a fork until foamy on the top.

#### STEP THREE

Add eggs to the dry mix and while mixing add the yeast mixer in steps (1/4 at a time).

#### STEP FOUR

Knead dough till smooth and stretchy.



SERVES 14



VERSA 16



30 MINUTES

## DIRECTIONS

### SUGAR MIX:

#### STEP ONE

Melt butter and add all ingredients in a mixing bowl.

#### STEP TWO

Wisk all ingredients together.

### PUT TOGETHER:

#### STEP ONE

Roll dough out onto a floured surface. Cover entire dough with sugar mixture. Starting from one end, roll the dough to the other end. Cut rolls into sections of 2 inches.

Cook on Versa 16 for 7 minutes or until golden brown.

## HOOKING UP YOUR PROPANE

### 1 lb. cylinder

1. Attach the 1 lb. quick-connect regulator to the oven and screw in the 1 lb. tank until comfortably tight. Allow the tank to sit parallel to the oven at a natural 45 degree angle.
2. Before turning the Versa 16 middle knob to HIGH, make sure that your propane valve is open all the way.

### 20 lb. tank

Attach the 20 lb. quick-connect regulator hose to the oven. Screw the other end to your propane tank, then loosen the flow valve in a counterclockwise direction all the way to ensure proper propane flow.

## STARTING YOUR OVEN

1. Be sure to loosen the propane valve before turning the center knob to HIGH. This will prevent negative pressure in the regulator and allow the propane/natural gas to flow.
2. Turn the center knob to HIGH and wait 3 seconds for the propane to reach the burners before igniting. Press the ignition (more than once if necessary) until both the ambient and infrared burners are lit. Allow the oven to preheat for 12 minutes.
3. To ensure even stone heat distribution, press the rotating button prior to igniting the burners.

## REGULATING THE OVEN TEMPERATURE

Carefully drop the temperature of the stone by dialing down the temperature to LOW and waiting 10 minutes. This will allow the heat from the stone to drop gradually and ensure an even bake for your next pizza(s).

## CORDERIETE STONE + COOKING TIPS

- Utilize your double sided cordierite cooking stone! When seasoning the stone, we suggest using one side *exclusively* for pizza, and the other side for other types of food. This ensures your pizza dough won't pick up other unintentional flavors.
- Most cookware isn't safe for high temperatures. However, 12" and smaller with handles will fit in the Versa 16. Such cookware will cook well and consistently in your oven.
- Many of the same foods you can make in your conventional home oven can also be made in your Versa 16—and in a fraction of the time!
  - ▷ For casseroles or bakes, we suggest using 2 sheets of aluminum foil on top of an oven-save pan to prevent the direct heat from scorching the top of your food.

## SEARING YOUR TOPPINGS

Get a strong finishing sear by sliding your pizza onto the peel, angle your handle up with the nose of the peel down, then position the toppings in the direction of the flame. Do this around the pizza until you reach your preference.

## LAUNCHING + RETRIEVING

- Be sure to stop the stone rotation (press the rotation button to start/stop stone) before launching your pizza or placing your food on the stone. This will help you avoid folding or wrinkling your dough.
- Be sure to also press the rotation button to stop the stone upon retrieval.

## COOLING YOUR OVEN

Bypass the 1hr+ cooling time by using high heat resistant mitts/gloves to lift the oven lid all the way open and allow it to air out. Be cautious with the stone as it retains heat for longer. After 15 minutes, the outer shell of the oven will be cool to the touch and safe to carry.

## TAKING YOUR OVEN ON-THE-GO

- To prevent causing damage to the stone, remove and wrap it in a protective covering (blanket, towel, oven cover-HZ-5004 is available for purchase online at [www.halo-pg.com](http://www.halo-pg.com)).
- Place your oven upright in either the backseat of your car, trunk, or truck bed.

## HAVING TROUBLE STARTING A FLAME?

1. Check both ends of the regulator to ensure no debris or residue is obstructing the flow of propane. Clean thoroughly, reconnect, and re-ignite.
2. Always wait to turn the knob to HIGH **after** opening your propane valve. If you turn prior to opening the valve, negative pressure will create backflow and prevent the propane from flowing as a result.
3. Confirm whether your propane tank is empty or filled.
4. Call Halo Support 1-833-572-1688 to troubleshoot with our Consumer Service Team.

# OWNER'S MANUAL

MODEL NO: HZ-1004-ANA



C US

## **WARNING**

- "FOR OUTDOOR USE ONLY."
- "READ ALL INSTRUCTIONS BEFORE INSTALLING AND USING THE APPLIANCE."
- "SAVE THESE INSTRUCTIONS."

## **WARNING**

This instruction manual contains important information necessary for the proper assembly and safe use of the appliance.

## **WARNING**

Do not try to light this appliance without reading the Ignition Instructions section of this manual.

## **WARNING**

The manufacturer has made every effort to eliminate any sharp edges. However, you should handle all components with care to avoid accidental injury.

Halo Products Group LLC  
850 West Park Rd Elizabethtown KY, 42701  
Toll free: 1-833-572-1688

**SCAN FOR**  
Product Registration  
Online Owner's Guide  
Assembly Videos



## DANGER

If you smell gas:

- Shut off gas to the appliance.
- Extinguish any open flame.
- Open lid.
- If odor continues, keep away from the appliance and immediately call your fire department.

Failure to follow these instructions could result in fire, explosion or burn hazard which could cause property damage, personal injury or death.

## WARNING

In the event of rain, snow, hail, sleet, or other forms of precipitation while cooking with oil or grease, cover the cooking vessel immediately and turn off the appliance burners and gas supply. Do not attempt to move the appliance or cooking vessel.

## WARNING

Do not leave the appliance unattended. Keep children and pets away from the appliance at all times.

## WARNING

### CALIFORNIA PROPOSITION 65

This product can expose you to chemicals, including carbon monoxide, which are known to the State of California to cause cancer and birth defects or other reproductive harm. For more information go to [www.P65Warnings.ca.gov](http://www.P65Warnings.ca.gov)

## WARNING

This appliance is not intended for commercial use.

## DANGER

- Never operate this appliance unattended.
- Never operate this appliance within 10' (3.0 m) of any structure, combustible material or other gas cylinder.
- Never operate this appliance within 25' (7.5 m) of any flammable liquid.
- If a fire should occur, keep away from the appliance and immediately call your fire department. Do not attempt to extinguish an oil or a grease fire with water.

Failure to follow these instructions could result in fire, explosion or burn hazard which could cause property damage, personal injury or death.

## CAUTION

- Use care when handling the Pizza stone.
- The stone is fragile and can break if bumped or dropped.
- Do not use a damaged stone.
- Pizza stone is extremely hot during use and stays hot for a long time after use.
- Allow pizza stone to cool before handling.
- Always use mitts or gloves when handling the pizza stone. Improper handling can cause severe burns.
- Do not use stone over an open flame.

## WARNING

- "Read and follow all warnings and instructions before assembling and using the appliance."
- "Follow all warnings and instructions when using the appliance."
- "Keep this manual for future reference."
- "Keep the fuel supply hose away from any heated surface(s)."

## WARNING

When using a match to light the appliance, make sure to use a long match.

## WARNING

Check all gas supply fittings for leaks before each use. Do not use the appliance until all connections have been checked and do not leak.

## WARNING

Do not operate your Pizza oven without the pizza stone rotating table in the "ON" position to avoid any damage to your Pizza Stone.

## WARNING

Lid must be closed and straps latched before using Pizza Oven.

## WARNING

Spiders and insects can nest inside the burner of the appliance and disrupt gas flow. Inspect the burner at least once a year.

## WARNING

FOR OUTDOOR USE ONLY and shall not be used in a building, garage, or any other enclosed area.

# CARING FOR YOUR VERSA 16

## CARE + MAINTENANCE

Regularly clean your Pizza Oven between uses and especially after extended periods of storage. Ensure that the Pizza Oven and its components are sufficiently cool before cleaning. Never handle hot parts with unprotected hands. In order to extend and maintain the life and condition of Pizza Oven, we strongly recommend that the Clean-Out tray be cleaned out and the unit be covered when left outside for any length of time, especially during the winter months.

## BURNER FLAME CHECK

Light burner then rotate knob from HIGH to LOW. You should see a smaller flame in LOW position than seen on HIGH. Always check flame prior to each use. A good flame should be blue with minimal yellow tip. Some yellow tips on flames are acceptable if no carbon or soot deposits appear.

## GREASE FILLING A BEARING

The removal of any existing oils, greases and anti-corrosion coatings

increases in importance as the operating life and reliability of the product use. Proper fill quantity ensures that all contact surfaces have a suitable lubricating film.

## CLEANING + STORAGE

Annual checking and tightening of metal fittings is recommended. Store the Pizza Oven in a cool dry place. Cover the burners with aluminum foil in order to prevent insects or other debris from collecting in the burner holes. If the Pizza Oven is to be stored indoors, the regulator for gas bottle or the 20 lbs. tank must be disconnected and left outside. The gas bottle and 20 lbs. tank should always be stored outside, out of reach of children, and in a dry, well-ventilated area away from any sources of heat or ignition.

## CARING FOR YOUR PIZZA STONE

Before using your stoneware for the first time, follow these simple steps. Remember, do not soak stoneware in water before using.

- Rinse the stone in warm water, then towel dry.
- Season the stone by baking a high-fat food, such as refrigerated crescent rolls or cookie dough, on its surface. Afterwards, greasing is usually unnecessary. If food does stick slightly, you may lightly spray the surface with vegetable oil spray for the next few uses.

## **SEASONING YOUR STONE TO PERFECTION**

When you prepare your stone for the first time, you begin the natural seasoning process. Seasoning occurs when fats and oils from foods gradually adhere to the stoneware's surface. It is perfectly natural for this to occur and does not pose a threat to food safety. As your stoneware becomes increasingly seasoned, it forms a non-stick coating. The color of the stone will also gradually change from its natural buff color to a deep brown. If you prefer to have your bakeware look brand new, you will need to get used to the idea that the stoneware performs best when it looks like it's been used. In fact, the darker its surface becomes, the better its baking qualities, much like a well-seasoned steel wok or cast-iron skillet.

## **CLEANING YOUR STONE IS EASY**

Believe it or not, cleaning your stone is the easiest part of its care. Because you want to keep the seasoning on the surface intact, only gentle cleaning is required. In fact, it is important that you do not use soap or detergent when cleaning stoneware. The soap will attach itself to the fats and oils in the seasoning and remain on the surface, giving a soapy flavor to the next foods that are baked on it. For the same reason, stoneware should not be washed in a dishwasher. Here are a few simple steps for cleaning:

- Allow the stone to cool completely before cleaning.
- Scrape off any excess food using a nylon pan scraper or simply use a nylon spatula.
- If necessary, soak the stoneware in clear, hot water to loosen baked on foods.
- Rinse and dry thoroughly.

If you follow these simple cleaning instructions, the stone cannot harbor any harmful bacteria that would pose a threat to food safety. The surface of the stone is clean and safe to use as long

as all food particles have been removed and the stone is dried thoroughly before storing.

## GENERAL GUIDELINES FOR USE

The most important thing to remember about your stone is that it doesn't like extreme and sudden temperature changes. Despite its durability, ceramic is not indestructible. If you expose your stone to sudden temperature changes, it may develop small hairline cracks or break. By practicing the following guidelines, your stone will last for many years.

- Always use a stoneware piece that closely matches the size of the food item being prepared.
- Thick, dense frozen foods should be thawed before cooking. Putting a frozen pizza or frozen precooked food such as chicken nuggets, French fries and fish sticks is fine. Just be sure to evenly distribute small pieces over the surface.
- Allow hot stone to cool completely before immersing it in water or pouring water or other liquids into or onto it.
- Stoneware cannot be used under the broiler or directly over a heat source, such as a range-top burner.

- The turntable must be ON while the oven and stone are preheating. Preheating the oven with the turntable OFF may cause the stone to crack or break.

- Stoneware is freezer safe. Do not transfer directly from the freezer to the oven.

- Use the same baking times and temperatures as you would with other bakeware. The only exception is if the food requires a baking time under 10 minutes. You may need to bake these items an additional 1 to 2 minutes. When baking cookies, for example, the first batch may need a few extra minutes, but the following batches will bake in the specified amount of time.

- Stoneware is microwave safe. However, foods will not become crisp or brown in the microwave.

- If using a convection oven, remember to reduce the oven temperature and baking time by the amount specified in the oven's use and care manual. If foods are browning too quickly, lightly cover the surface of the food with aluminum foil for part of the baking time.

- Always use a heavy, heat-resistant potholder or oven pad when handling hot stoneware. It becomes extremely hot both in the oven and microwave.

- Foods may be cut directly on the stoneware for serving.



## **ROTISSERIE MOTOR FEATURES**

- This battery-operated rotisserie motor will spin for approximately the duration of 36 hours per set of D cell batteries or with the supplied AC adapter. Through the utility of a direct DC motor this motor has proven to be a top performer in reliability and function.
- 2 D cell batteries (Not included).
- AC adapter included for expanded usage possibilities.
- Anti-Backlash gear train provides quiet, smooth operation.
- Motor Produces a Maximum Torque Output Of 25 in./lbs.

Please note that this item is designed for outdoor Pizza Oven or other outdoor cooking appliances that specifically require the use of a powered rotisserie motor for the intention of cooking food.

## **ROTISSERIE IMPORTANT SAFETY INSTRUCTIONS**

Read the following safety precautions before using the rotisserie motor.

- This motor is not intended for use in manufacturing/coatings or in environments other than described.
- Do not touch hot surface with bare hands.

- Allow the rotisserie to cool before cleaning or taking off any parts.
- Do not use appliance for other than intended use.
- Do not expose to rain.

## **ROTISSERIE MOTOR CARE & MAINTENANCE**

Store the Pizza Oven indoors when not in use; out of the reach of children.

## **MAINTENANCE INSTRUCTIONS FOR YOUR PIZZA OVEN**

- Keep appliance area clear and free from combustible materials, gasoline, and other flammable vapors and liquids.
- Do not obstruct the flow of combustion and the ventilation of air.
- Keep the ventilation opening(s) of the cylinder enclosure free and clear from debris.
- Visually check burner flames with pictorial representations.
- Clean appliance, including special surfaces, with recommended cleaning agents, if necessary.
- Check and clean burner/venturi tubes for insects and insect nests. A clogged tube can lead to a fire beneath the appliance.

# CONNECTING 1 LB. CYLINDER

**NOTE:** The LP-gas cylinder(s) used with this Pizza oven must be constructed and marked in accordance with the specifications for LP-gas cylinders of the U.S. Department of Transportation or Transport Canada, CAN/CSA B339.

## WARNING

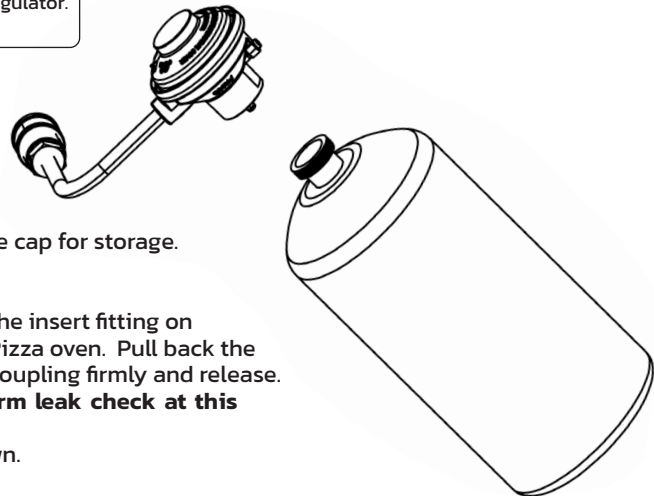
- All leak tests must be performed outdoors in a well vented area only and away from ignition sources such as gas fired or electrical appliances. During leak test, keep away from open flames or sparks.
- This appliance uses only with LP (Liquid Propane) gas and regulator assembly for 1 lb. cylinder and 20 lbs. cylinder provided with your Pizza oven.
- Follow regulator connection instructions.
- Use the pressure regulator and hose assembly that is supplied with your Pizza oven model #: HZ-1004-28 for 1 lb. cylinder and model #: HZ-1007-25 for 20 lbs. tank.
- Do not attempt to disconnect the gas regulator and hose assembly or any gas fitting while your Pizza Oven is in operation.
- Do not use a LP cylinder with a damaged valve.
- LP cylinder may appear to be empty, although gas may still be present, and the LP cylinder should be transported and stored accordingly.
- Disconnect cylinder when appliance is not in use.

## WARNING

For your safety, when not in use remove the cylinder and the regulator. Cap the cylinder, the insert fitting and the quick disconnect.

## CONNECTING 1 LB. DISPOSABLE CYLINDER

1. Make sure the control knob is in OFF position.
2. Remove plastic cap from top of propane cylinder. Save cap for storage. Screw propane cylinder into regulator. Be careful not to cross thread. Hand Tighten only.
3. The regulator is equipped with Quick Connect. Align the insert fitting on the regulator to the quick connect body on the side of Pizza oven. Pull back the spring-loaded coupling then insert into quick connect coupling firmly and release. The regulator insert will snap in and lock in place. **Perform leak check at this connection.**
4. Never operate oven with propane cylinder upside down.



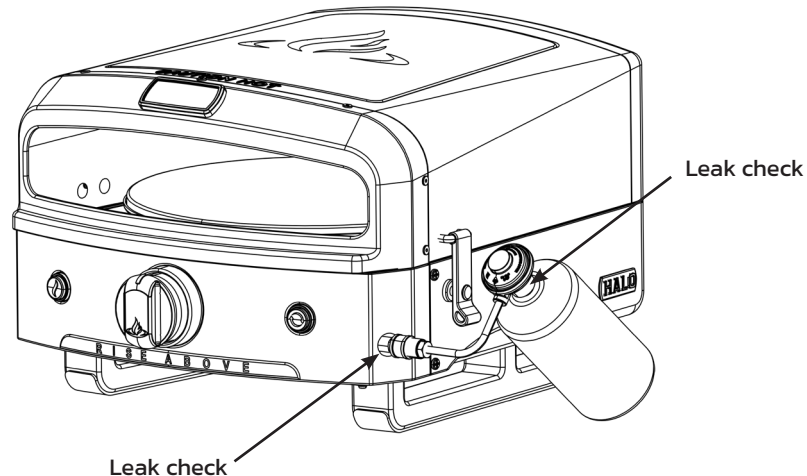
## DISMANTLING DISPOSABLE PROPANE CYLINDER

1. Turn control knob to OFF position and make sure all flames are extinguished then pull back the quick connect coupling to release from the insert fitting.
2. Make sure your Pizza Oven is turned OFF and cooled down.
3. Disconnect the regulator from the insert fitting by pull back the spring-loaded coupling back to release the Quick Connect coupling, then unscrew the bottle from the regulator.

### WARNING

The LP tank used with this Pizza oven must meet the following requirements:

- Use appliance only with LP (propane) gas and the regulator /valve assembly supplied.
- Installation must conform with local codes, or in their absence with National Fuel Gas Code, NFPA 54/ANSI Z223.1. Handling and storage of LP cylinders must conform to LP Gas Code NFPA/ANSI 58.
- Do not modify this appliance. Modifications will result in a safety hazard.
- Apartment Dwellers: Check with management to learn the requirements and fire codes for using an LP Gas appliance at an apartment. If allowed, use outside on the ground floor with a 10-foot clearance from walls or rails.



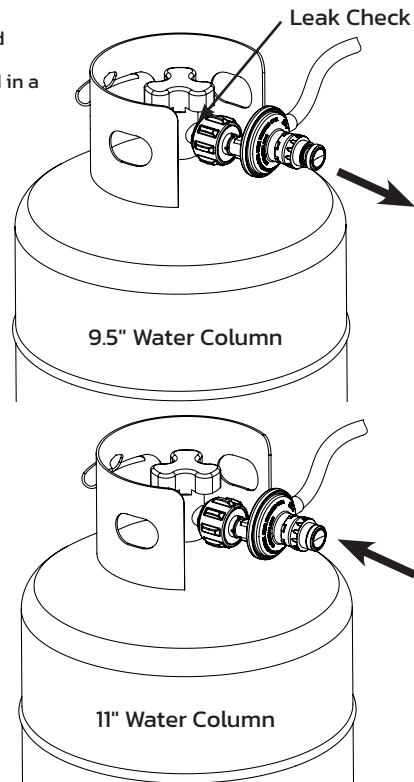
# CONNECTING 20 LBS. TANK

## CONNECTING HOSE + ADJUSTABLE REGULATOR 20 LBS. TANK

### NOTE:

- Storage of an appliance indoors is permissible only if the cylinder is disconnected and removed from the appliance.
- Cylinders must be stored outdoors out of the reach of children and shall not be stored in a building, garage, or any other enclosed area.

1. Place LP tank on a secure, level, and stable surface.
2. Make sure burner valve is on off position.
3. LP tank should be in OFF position, if not turning wheel clockwise until stop.
4. Remove the protective cap from LP tank valve. Always use cap and strap supplied with valve. **DO NOT USE A POL TRANSPORT PLUG (plastic part with internal threads)! IT WILL DEFEAT THE SAFETY FEATURE OF THE VALVE.**
5. The hose and regulator is equipped with Quick Connect. Align the insert fitting on the regulator to the quick connect body on the side of Pizza oven. Pull back the spring-loaded coupling then push the insert into quick connect body firmly and release. The regulator insert will snap in and lock in place.
6. Attach hose assembly to cylinder.
7. Slowly open cylinder valve.
8. Perform leak check on regulator to Pizza Oven, hose to regulator and hose to cylinder connections with soapy water. Bubbles indicate a leak. Check that the connection is not cross threaded and that it is tight. Perform another leak check. If there is still a leak, remove the cylinder and contact the manufacturer for service and repair.



## ADDED FEATURE

Your appliance is equipped with an adjustable low-pressure regulator. The normal operating pressure is 11" water column and the lower operating pressure available is 9.5" water column. When operating your appliance under normal circumstances you will want to have the regulator set at the 11" water column pressure. If you want to cook with slightly lower temperatures, then set the regulator to the 9.5" water column setting. Depending on what temperature setting you have the control knob set at will determine how much lower your temperatures will be when using the lower pressure setting. Please see the instructions on how to change from the 11" water column setting and back again.

## HOW TO SET REGULATOR SETTING

- Pull back the spring-loaded coupling to release regulator cap to achieve 9.5" water column.
- Pull back the spring-loaded coupling then push the regulator cap firmly and release. The regulator cap will snap in and lock in place to reset the regulator to 11" water column.

## LEAK TEST PROCEDURE

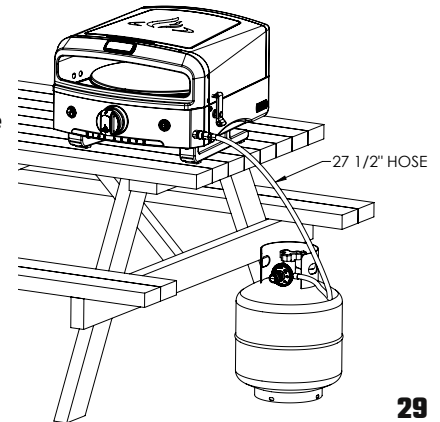
1. Attach hose assembly to the cylinder.
2. Slowly open the cylinder valve.
3. Perform a leak check on regulator to oven hose to regulator and hose to cylinder connections with soapy water. Bubbles indicate a leak. Check that the connection is not cross threaded and that it is tight.
4. Perform another leak check. Check the coupling nut for tightness. If there is still a leak, remove the cylinder and contact the manufacturer for service and repair.
5. When appliance is not in use, turn off the control knob and LP tank valve on the supply cylinder.
6. Never use an LP tank if visibly rusted, damaged, or out of date.
7. If you notice grease or other hot material dripping from appliance onto the valve, hose or regulator, turn off gas supply at once. Determine the cause, correct, clean and inspect valve, hose and regulator before continuing. Perform a leak test.
8. The regulator may make a humming or whistling noise during operation. This will not affect the safety or use of appliance.
9. Clean and inspect the hose before each use of the appliance. If there is evidence of abrasion, wear, cuts or leaks, the hose must be replaced prior to the appliance being put into operation. See product tag for hose and regulator information.
10. Do not block holes in bottom or sides of appliance.
11. Never operate appliance with LP tanks out of correct position specified in Assembly Instructions.
12. Always close LP tank valve and remove coupling nut before moving LP tank from specified operating position.
13. NEVER store a spare LP tank under or near appliance or in an enclosure.
14. If you see, smell, or hear escaping gas, immediately get away from the LP tank/appliance and call your fire department.
15. All spare LP tanks must have safety caps installed on the LP tank outlet.

### **WARNING**

1. Do not store a spare LP gas cylinder under or near this appliance.
2. Never fill the cylinder beyond 80 percent full.
3. If the instructions in (1) and (2) are not followed exactly, a fire causing death or serious injury may occur.

### **WARNING**

Tripping hazard over hose and supply cylinder.



# LIGHTING INSTRUCTIONS

## LIGHTING THE PIZZA OVEN

1. Read instructions before lighting.
2. Push and turn control knob counter-clockwise to Light/HI then press igniter on left to activate the ignition.
3. Adjust the temperature to desired level.
4. If ignition does not occur, turn gas OFF by turning the knob clockwise and repeat lighting instructions.

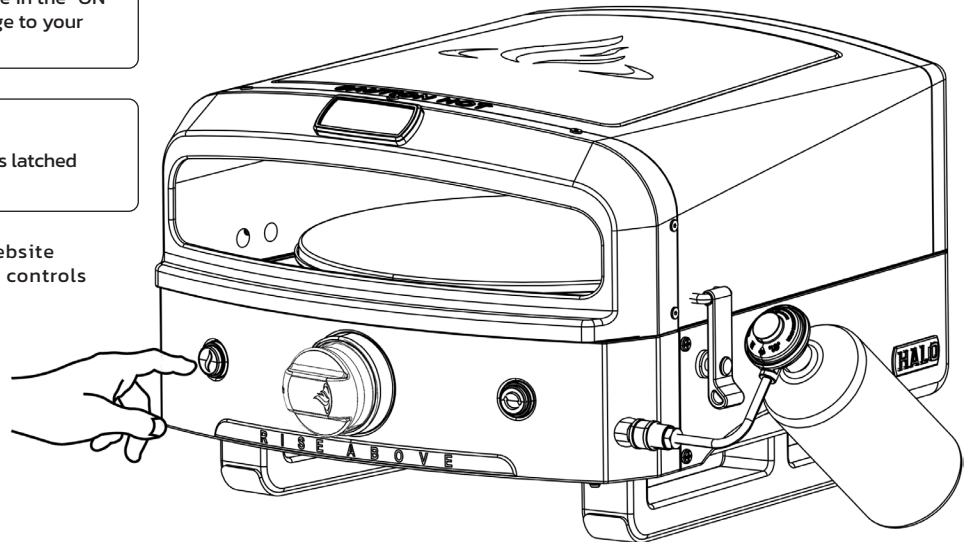
### WARNING

Do not operate your Pizza oven without the pizza stone rotating table in the "ON" position to avoid any damage to your Pizza Stone.

### WARNING

Lid must be closed and straps latched before using Pizza Oven.

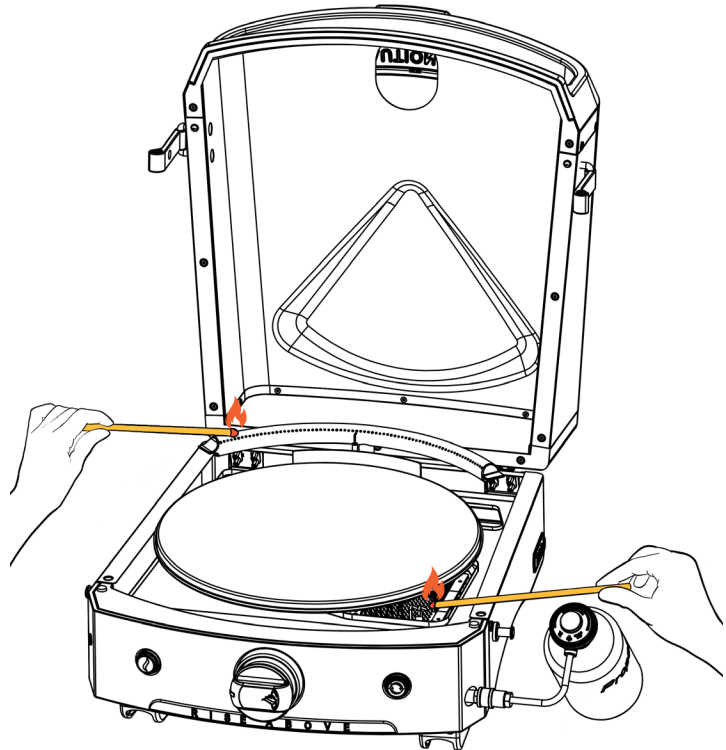
**NOTE:** Please refer to our website for additional temperature controls information.



## MATCH LIGHTING INSTRUCTIONS

**NOTE:** If burners will not light after several attempts using the ignitor, the burners can be lit with a long match.

1. Release latches on both sides.
2. Open top.
3. Use 11" long matchstick, ignite the match to light back burner and infrared burner.
4. Push and turn the control knob to the HIGH slowly. The burners should ignite immediately. Make sure burners stay lit.
5. If the burner does not light within seconds, turn the control knob OFF and wait five (5) minutes and try again.



# TROUBLESHOOTING

## BURNER WILL NOT LIGHT USING THE ELECTRONIC IGNITER

### POSSIBLE CAUSE:

- Faulty regulator
- Obstructions in the burner
- Obstructions in gas jets or gas hose
- Electrode is damaged/faulty igniter
- Empty LP bottle

### SOLUTION:

- Have the regulator checked or replaced
- Clean burner
- Clean jets and gas hose
- Change electrode and wire or change igniter
- Use a new LP bottle

## BURNER WILL NOT LIGHT WITH A MATCH

### POSSIBLE CAUSE:

- Faulty regulator
- Obstructions in gas orifices or gas hose
- Empty LP bottle

### SOLUTION:

- Have the regulator checked or replaced
- Clean burner venturi
- Clean orifice and check gas hose
- Use a new LP bottle

## BURNER FLAME PATTERN IS ERRATIC

FLAME IS LOW WHEN BURNER IS ON HI. FLAMES DO NOT RUN THE WHOLE LENGTH OF THE BURNER TUBE

### POSSIBLE CAUSE:

- Obstructions in burner

### SOLUTION:

- Clean burner venturi



## **FIRE IN BURNER TUBE HAS A LOW FLAME OR FLASHBACK (A HISSING OR ROARING NOISE MAY BE HEARD)**

### **POSSIBLE CAUSE:**

- Obstructions in burner
- Obstructions in gas jets or gas hose
- Windy conditions

### **SOLUTION:**

- Clean burner
- Clean jets and gas hose
- Use grill in a more sheltered position

## **BURNER DOES NOT LIGHT, OR FLAME IS LOW IN HI POSITION**

### **POSSIBLE CAUSE:**

- Faulty regulator
- Obstructions in gas orifices or gas hose
- Empty LP bottle

### **SOLUTION:**

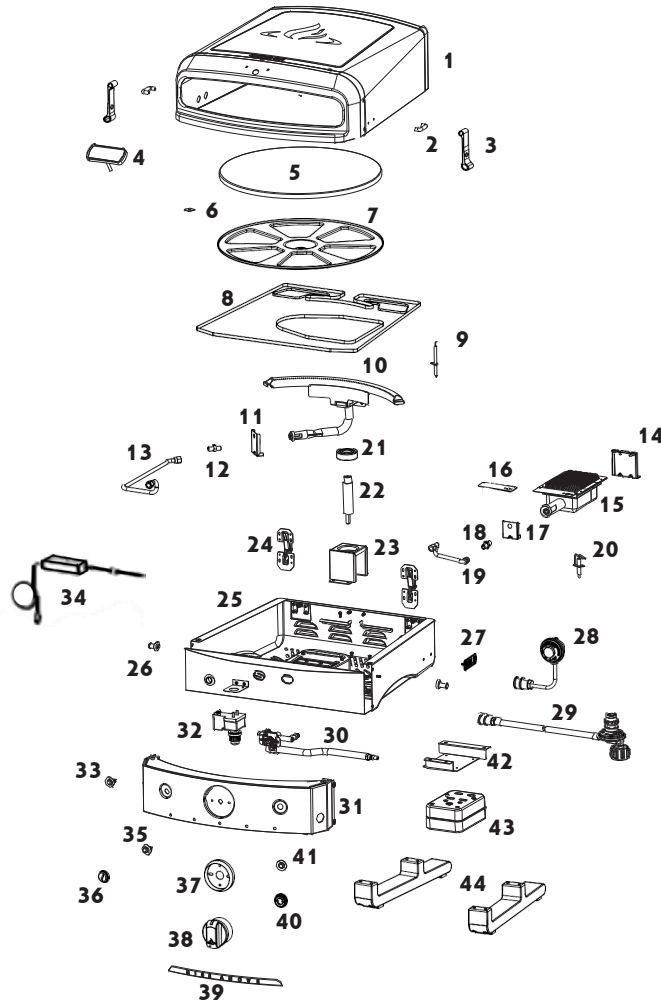
- Have the regulator checked or replaced
- Clean Burner venturi
- Clean orifice and check gas hose
- Use a new LP bottle

## **ROTISSERIE MOTOR TROUBLESHOOTING**

### **PROBLEMS?**

If parts are missing, or the motor won't work:  
Call customer service at 1-833-572-1688

# VERSA 16 PARTS LIST



<b>ITEM</b>	<b>PART DESCRIPTION</b>	<b>PART NO.</b>
1	Oven Top Assembly	HZ-1004-01
2	Lid-Latch Holder	HZ-1004-02
3	Lid-Latche	HZ-1004-03
4	Heat Indicator (Thermometer)	HZ-1004-04
5	Pizza Stone	HZ-1004-05
6	Washer-Pizza Tray Mount	HZ-1004-06
7	Tray-Pizza Stone	HZ-1004-07
8	Clean-Out Tray	HZ-1004-08
9	Electrode assembly-Back Burner	HZ-1004-09
10	Back Burner Assembly	HZ-1004-10
11	Bracket-Orifice support-back burner	HZ-1004-11
12	Orifice-Back burner	HZ-1004-12
13	Gas line (corrugated)-Back burner	HZ-1004-13
14	Bracket- Support Infrared burner	HZ-1004-14
15	Infrared Burner	HZ-1004-15
16	Bracket-infrared burner electrode	HZ-1004-16
17	Bracket-Orifice-infrared burner	HZ-1004-17
18	Orifice-Infrared burner	HZ-1004-18
19	Gas line (corrugated)-infrared burner	HZ-1004-19
20	Electrode Assembly-infrared burner	HZ-1004-20
21	Bearing Pack-Turn Table	HZ-1004-21
22	Shaft Motor-Turn Table	HZ-1004-22
23	Bearing pack-Turn Table	HZ-1004-23
24	Hinges-Pizza top support	HZ-1004-24
25	Oven Bottom Assembly	HZ-1004-25

# VERSA 16 PARTS LIST

ITEM	PART DESCRIPTION	PART NO.
26	Pin-Lid Latch	HZ-1004-26
27	Halo Sizzle Logo Plate	HZ-1004-27
28	Regulator-1 lb. cylinder	HZ-1004-28
29	Regulator-20 lbs. tank	HZ-1007-25
30	Valve & Manifold Assembly	HZ-1004-30
31	Control Panel	HZ-1004-31
32	Electronic Igniter module	HZ-1004-32
33	A/C Power Jack/110-120 Volts	HZ-1004-33
34	AC/DC Adaptor	HZ-1004-34
35	Igniter Switch	HZ-1004-35
36	Igniter Button	HZ-1004-36
37	Control knob Bezel-Common	HZ-1004-37
38	Control knob-Common	HZ-1004-38
39	RISE ABOVE Logo	HZ-1004-39
40	Rubber Boot Switch-Turn Table	HZ-1004-40
41	Switch ON/OFF-Turn Table	HZ-1004-41
42	Bracket -Motor Mount	HZ-1004-42
43	Motor	HZ-1004-43
44	Leg common R/L	HZ-1004-44
<b>NOT IN PICTURE</b>		
45	Ignitor wire-Back burner-Long	HZ-1004-45
46	Ignitor wire-Infrared burner-Short	HZ-1004-46
47	Owner's Manual	HZ-1004-47
48	Hardware Pack	HZ-1004-48

# FIVE (5) YEAR LIMITED WARRANTY

This warranty only applies to units purchased from an authorized retailer. Manufacturer warrants to the original consumer-purchaser only that this product shall be free from defects in workmanship and materials after correct assembly and under normal and reasonable home use for the periods indicated below beginning on the date of purchase.

SCOPE OF COVERAGE	PERIOD OF COVERAGE	TYPE OF FAILURE COVERAGE
Cooking Fire box and all components not covered below	5 Years	PERFORATION, MANUFACTURING, AND MATERIAL DEFECTS ONLY
Burners, Pizza stone and tray, Control knob	5 Years	
Electrical Components	1 Years	
Paint	1 Years	

The manufacturer reserves the right to require that defective parts be returned, postage and or freight pre-paid by the consumer for review and examination.

Please retain a copy of your proof of purchase to validate your warranty. You may be requested to send in a copy of your receipt to confirm any warranty requests.

The original consumer-purchaser will be responsible for all shipping charges for parts replaced under the terms of this limited warranty. This limited warranty is applicable in the United States and Canada only, is only available to the original owner of the product and is not transferable. Manufacturer requires proof of your date of purchase. Therefore, you should retain your sales slip or invoice. Registering your product is not a substitute for proof of purchase and the manufacturer is not responsible for or required to retain proof of purchase records. This limited warranty applies to the functionality of the product ONLY and does not cover cosmetic issues such as scratches, dents, corrosions or discoloring by heat, abrasive and chemical cleaners or any tools used in the assembly or installation of the appliance, surface rust, or the discoloration of stainless-steel surfaces. Paint is not warranted and will require touch up. **RUST** is not considered a manufacturing or materials defect.

**This limited warranty will not reimburse you for the cost of any inconvenience, food, personal injury, or property damage.**

# FIVE (5) YEAR LIMITED WARRANTY

## ITEMS MANUFACTURER WILL NOT PAY FOR

1. Shipping cost, standard or expedited, for warranty and replacement parts.
2. Service calls to your home.
3. Repairs when your product is used for other than normal, single-family household or residential use.
4. Damage, failures, or operating difficulties resulting from accident, alteration, careless handling, misuse, abuse, fire, flood, improper installation or maintenance, installation not in accordance with electrical or plumbing codes, or use of products not approved by the manufacturer.
5. Any food loss due to product failures or operating difficulties.
6. Replacement parts or repair labor costs for units operated outside the United States or Canada.
7. Pickup and delivery of your product.
8. Repairs to parts or systems resulting from unauthorized modifications made to the product.
9. The removal and/or reinstallation of your product.

### **Disclaimer of Implied Warranties and Limitation of Remedies**

Repair or replacement of defective parts is your exclusive remedy under the terms of this limited warranty. In the event of parts availability issues, the manufacturer reserves the right to substitute like or similar parts that are equally functional. Manufacturer will not be responsible for any consequential or incidental damages arising from the breach of either this limited warranty or any applicable implied warranty, or for failure or damage resulting from acts of God, improper care and maintenance, grease fire, accident, alteration, replacement of parts by anyone other than Manufacturer, misuse, transportation, commercial use, abuse, hostile environments (inclement weather, acts of nature, animal tampering), improper installation or installation not in accordance with local codes or printed manufacturer instructions.

**5 YEAR**  
**LIMITED**  
**WARRANTY**

**THIS LIMITED WARRANTY IS THE SOLE EXPRESS WARRANTY GIVEN BY THE MANUFACTURER. NO PRODUCT PERFORMANCE SPECIFICATION OR DESCRIPTION WHEREVER APPEARING IS WARRANTED BY MANUFACTURER EXCEPT TO THE EXTENT SET FORTH IN THIS LIMITED WARRANTY. ANY IMPLIED WARRANTY PROTECTION ARISING UNDER THE LAWS OF ANY STATE, INCLUDING IMPLIED WARRANTY OF MERCHANTABILITY OR FITNESS FOR A PARTICULAR PURPOSE OR USE, IS HEREBY LIMITED IN DURATION TO THE DURATION OF THIS LIMITED WARRANTY.**

Manufacturer's maximum liability, in any event, shall not exceed the purchase price of the product paid by the original consumer. NOTE: Some states do not allow an exclusion or limitation of incidental or consequential damages, so some of the above limitations or exclusions may not apply to you. This limited warranty gives you specific legal rights as set forth herein. You may also have other rights which vary from state to state. In the state of California only, if refinishing or replacement of the product is not commercially practicable, the retailer selling this product or the Manufacturer will refund the purchase price paid for the product, less the amount directly attributable to use by the original consumer-purchaser prior to discovery of the nonconformity. In addition, in the state of California only, you may take the product to the retail establishment selling this product in order to obtain performance under this limited warranty. If you wish to obtain performance of any obligation under this limited warranty, you should write to:

**Halo Products Group LLC 850 West Park Rd Elizabethtown KY, 42701**

Consumer returns will not be accepted unless a valid Return Authorization is first acquired. Authorized returns are clearly marked on the outside of the package with an RA number and the package is shipped freight with postage pre-paid. Consumer returns that do not meet these standards will be refused.

## **CUSTOMER SERVICE**

For questions regarding your product, or if you need replacement parts, contact us at:

**Toll free: 1-833-572-1688** or

Visit us online at **[www.halo-pg.com](http://www.halo-pg.com)**

# MANUAL DEL USUARIO

## MODELO NO: HZ-1004-ANA



C US

### **ADVERTENCIA**

- "SÓLO PARA USO EN EXTERIORES".
- "LEA TODAS LAS INSTRUCCIONES ANTES DE INSTALAR Y UTILIZAR EL APARATO".
- "GUARDE ESTAS INSTRUCCIONES".

### **ADVERTENCIA**

Este manual de instrucciones contiene información importante necesaria para el ensamblaje correcto y el uso seguro del aparato.

### **ADVERTENCIA**

El fabricante ha hecho todo lo posible para eliminar los bordes afilados. Sin embargo, debe manipular todos los componentes con cuidado para evitar lesiones accidentales.

### **ADVERTENCIA**

Mantenga cualquier cable de alimentación eléctrica y la manguera de suministro de combustible lejos de cualquier superficie caliente.

### **ADVERTENCIA**

No deje el aparato sin vigilancia. Mantenga a los niños y a los animales domésticos alejados del aparato en todo momento.

### **ADVERTENCIA**

No intente encender este aparato sin haber leído la sección de Instrucciones de Encendido de este manual.

Halo Products Group LLC  
850 West Park Rd Elizabethtown KY, 42701  
Toll free: 1-833-572-1688

BUSQUE EL  
REGISTRO DEL  
PRODUCTO





## PELIGRO

**Si huele a gas:**

- Cierre el gas del aparato.
- Apague cualquier llama abierta.
- Abra la tapa.
- Si el olor continúa, aléjese del aparato y llame inmediatamente a los bomberos.

**Si no se siguen estas instrucciones, puede producirse un incendio, una explosión o un peligro de quemadura que podría causar daños materiales, lesiones personales o la muerte.**

## ADVERTENCIA

### PROPUESTA 65 DE CALIFORNIA

Este producto puede exponerle a sustancias químicas, incluido el monóxido de carbono, que el Estado de California conoce como causantes de cáncer y defectos de nacimiento u otros daños reproductivos. Para más información, visite [www.P65Warnings.ca.gov](http://www.P65Warnings.ca.gov)

## PRECAUCIÓN

- Tenga cuidado al manipular la piedra para Pizza.
- La piedra es frágil y puede romperse si se golpea o se cae.
- No utilice una piedra dañada.
- La piedra de la pizza está muy caliente durante su uso y se mantiene caliente durante mucho tiempo después de su uso.
- Deje que la piedra de la pizza se enfríe antes de manipularla.
- Utilice siempre manoplas o guantes para manipular la piedra de la pizza. Una manipulación inadecuada puede causar quemaduras graves.
- No utilice la piedra sobre una llama abierta.

## ADVERTENCIA

Este aparato no está destinado a un uso comercial.

## PELIGRO

- Nunca deje que el aparato opere sin vigilancia.
- Nunca haga funcionar este aparato a menos de 3.0 m (10') de cualquier estructura, material combustible u otra bombona de gas.
- No utilice nunca este aparato a menos de 7.5 m (25') de cualquier líquido inflamable.
- Si se produce un incendio, aléjese del aparato y llame inmediatamente a los bomberos. No intente extinguir un incendio de aceite o grasa con agua.

**Si no se siguen estas instrucciones, puede producirse un incendio, una explosión o un peligro de quemadura que podría causar daños materiales, lesiones personales o la muerte.**

## ADVERTENCIA

En caso de lluvia, nieve, granizo, aguanieve u otras formas de precipitación mientras se cocina con aceite o grasa, cubra inmediatamente el recipiente de cocción y cierre los quemadores del aparato y el suministro de gas. No intente mover el aparato o el recipiente de cocción.

## ADVERTENCIA

Cuando utilice una cerilla para encender el aparato, asegúrese de utilizar una cerilla larga.

## ADVERTENCIA

- "Lea y siga todas las advertencias e instrucciones antes de ensamblar y utilizar el aparato."
- "Siga todas las advertencias e instrucciones cuando utilice el aparato."
- "Guarde este manual para futuras consultas."
- "Mantenga la manguera de suministro de combustible lejos de cualquier superficie caliente."

## ADVERTENCIA

Compruebe que no haya fugas en ninguno de los accesorios de suministro de gas antes de cada uso. No utilice el aparato hasta que se hayan comprobado todas las conexiones y no presenten fugas.

## ADVERTENCIA

No haga funcionar su Horno de Pizza sin que la plataforma giratoria de la piedra de pizza esté en la posición "ON" para evitar cualquier daño a la Piedra de Pizza.

## ADVERTENCIA

La tapa debe estar cerrada y las correas enganchadas antes de utilizar el Horno de Pizza.

## ADVERTENCIA

Las arañas y los insectos pueden anidar dentro del quemador del aparato e interrumpir el flujo de gas. Inspeccione el quemador al menos una vez al año.

## ADVERTENCIA

PARA USO EXTERIOR ÚNICAMENTE y no se debe utilizar en un edificio, garaje o cualquier otra área cerrada.

# EL CUIDADO DE SU VERSA 16

## CUIDADO + MANTENIMIENTO

Limpie regularmente su Horno de Pizza entre los usos y especialmente después de períodos prolongados de almacenamiento. Asegúrese de que el Horno de Pizza y sus componentes estén suficientemente fríos antes de limpiarlos. No manipule nunca las piezas calientes con las manos desprotegidas. Para prolongar y mantener la vida útil y el estado del horno para pizzas, recomendamos que se limpie la Bandeja de Limpieza y se cubra la unidad cuando se deje al aire libre durante cualquier período de tiempo, especialmente durante los meses de invierno.

## COMPROBACIÓN DE LA LLAMA DEL QUEMADOR

Encienda el quemador y gire el comando de HIGH a LOW. Debería ver una llama más pequeña en la posición LOW que en la posición HIGH. Compruebe siempre la llama antes de cada uso. Una buena llama debe ser azul con una mínima punta amarilla. Algunas puntas amarillas en las llamas son aceptables si no aparecen depósitos de carbón u hollín.

## LLENADO DE GRASA DE UN RODAMIENTO

La eliminación de los aceites, las grasas y los revestimientos anticorrosivos existentes es importante ya que aumenta la vida útil y la fiabilidad del producto. Una cantidad de llenado adecuada garantiza que todas las superficies de contacto tengan una película lubricante adecuada.

## LIMPIEZA + ALMACENAMIENTO

Se recomienda revisar y ajustar anualmente los accesorios metálicos. Guarde el horno para Pizzas en un lugar fresco y seco. Cubra los quemadores con papel de aluminio para evitar que se acumulen insectos u otros residuos en los orificios de los quemadores. Si el Horno de Pizza va a ser almacenado en el interior, el regulador de la botella de gas o el tanque de 20 libras debe ser desconectado y dejado en el exterior. La botella de gas y el tanque de 20 libras deben guardarse siempre en el exterior, fuera del alcance de los niños, y en una zona seca y bien ventilada, lejos de cualquier fuente de calor o de ignición.

## CUIDADO DE LA PIEDRA PARA PIZZA

Antes de utilizar su piedra por primera vez, siga estos sencillos pasos. Recuerde que no debe sumergir la piedra en agua antes de utilizarla.

- Aclare la piedra con agua tibia y séquela con una toalla.
- Cure la piedra horneando en su superficie un alimento rico en grasas, como panecillos refrigerados o masa de galletas. Después, el engrase suele ser innecesario. Si los alimentos se pegan ligeramente, puede rociar ligeramente la superficie con aceite vegetal en spray para los siguientes usos.

## CÓMO CURAR LA PIEDRA A LA PERFECCIÓN

Cuando se prepara la piedra por primera vez, se inicia el proceso de curado natural. El curado se produce cuando las grasas y los aceites de los alimentos se adhieren gradualmente a la superficie de la piedra. Es perfectamente natural que esto ocurra y no supone una amenaza para la seguridad alimentaria. A medida que la piedra se va curando, se va formando una capa antiadherente. El color de la piedra también cambiará gradualmente de su color natural beige a un marrón intenso. Si prefiere que sus utensilios de repostería

parezcan nuevos, tendrá que hacerse a la idea de que la piedra funciona mejor cuando parece que ha sido usada. De hecho, cuanto más oscura sea su superficie, mejores serán sus cualidades de cocción, al igual que un wok de acero bien curado o una sartén de hierro fundido.

## LIMPIAR LA PIEDRA ES FÁCIL

Lo crea o no, la limpieza de su piedra es la parte más fácil de su cuidado. Como se quiere mantener intacto el curado de la superficie, sólo necesita hacer una limpieza suave. De hecho, es importante que no utilice jabón ni detergente cuando limpie la piedra. El jabón se adherirá a las grasas y aceites del curado y permanecerá en la superficie, dando un sabor jabonoso a los siguientes alimentos que se horneen en la piedra. Por la misma razón, la piedra no debe lavarse en el lavavajillas. Aquí tienes unos sencillos pasos para la limpieza:

- Deje que la piedra se enfríe completamente antes de limpiarla.
- Raspe el exceso de comida con una rasqueta de nailon o simplemente con una espátula de nailon.
- Si es necesario, sumerja la piedra en agua limpia y caliente para aflojar los alimentos horneados.
- Enjuague y seque bien.

Si sigue estas sencillas instrucciones de limpieza, la piedra no podrá albergar ninguna bacteria dañina que suponga una amenaza para la seguridad alimentaria. La superficie de la piedra estará limpia y será segura de usar siempre que se hayan eliminado todas las partículas de alimentos y se haya secado bien la piedra antes de guardarla.

## DIRECTRICES GENERALES DE USO

Lo más importante que hay que recordar sobre su piedra es que no le gustan los cambios de temperatura extremos y repentinos. A pesar de su durabilidad, la cerámica no es indestructible. Si expone su piedra a cambios bruscos de temperatura, puede desarrollar pequeñas grietas o romperse. Si practica las siguientes pautas, su piedra durará muchos años.

- Utilice siempre una pieza de piedra que se ajuste al tamaño del alimento que se va a preparar.
- Los alimentos congelados gruesos y densos deben descongelarse antes de cocinarlos. Poner una pizza congelada o alimentos precocinados congelados como nuggets de pollo, patatas fritas y palitos de pescado está bien. Sólo asegúrese de distribuir uniformemente los trozos pequeños sobre la superficie.
- Deje que la piedra caliente se enfríe completamente antes de sumergirla en agua o de verter agua u otros líquidos en ella o sobre ella.

- La piedra no puede utilizarse bajo la parrilla o directamente sobre una fuente de calor, como un quemador de cocina.
- El plato giratorio debe estar encendido mientras el horno y la piedra se están precalentando. Precalentar el horno con el plato giratorio apagado puede hacer que la piedra se agriete o se rompa.
- La piedra es apta para el congelador. No la transfiera directamente del congelador al horno.
- Utilice los mismos tiempos y temperaturas de horneado que con otros utensilios. La única excepción es si el alimento requiere un tiempo de cocción inferior a 10 minutos. Es posible que tenga que hornear estos artículos de 1 a 2 minutos más. Al hornear galletas, por ejemplo, la primera tanda puede necesitar unos minutos más, pero las siguientes se hornearán en el tiempo especificado.
- La piedra es apta para el microondas. Sin embargo, los alimentos no se vuelven crujientes ni se doran en el microondas.
- Si utiliza un horno de convección, recuerde reducir la temperatura del horno y el tiempo de cocción en la cantidad especificada en el manual de uso y cuidado del horno. Si los alimentos se doran demasiado rápido, cubra ligeramente la superficie del alimento con papel de aluminio durante parte del tiempo de cocción.
- Utilice siempre una agarradera pesada y resistente al calor o una almohadilla para el horno cuando manipule la piedra caliente.

Se calienta mucho tanto en el horno como en el microondas.

- Los alimentos pueden cortarse directamente sobre la piedra para servirlos.

## **CARACTERÍSTICAS DEL MOTOR DEL ASADOR**

- Este motor de asador que funciona con batería girará durante aproximadamente la duración de 36 horas por juego de baterías de celda D o con el adaptador de CA suministrado. A través de la utilidad de un motor de corriente continua directa, este motor ha demostrado ser de un rendimiento superior en cuanto a fiabilidad y función.

- 2 baterías de celda D (no incluidas).
- Adaptador de CA incluido para ampliar las posibilidades de uso.
- El tren de engranajes antigolpes proporciona un funcionamiento silencioso y suave.
- El Motor Produce un Par de Salida Máximo de 25 pulg./lbs.

Por favor, tenga en cuenta que este artículo está diseñado para el Horno de Pizza al aire libre u otros aparatos de cocina al aire libre que requieren específicamente el uso de un motor de asador para la intención de cocinar los alimentos.

## **ASADOR INSTRUCCIONES IMPORTANTES DE SEGURIDAD**

Lea las siguientes precauciones de seguridad antes de utilizar el motor del asador.

- Este motor no está destinado a ser

utilizado en la fabricación/revestimiento o en entornos distintos a los descritos.

- No toque la superficie caliente con las manos desnudas.
- Deje que el asador se enfríe antes de limpiarlo o desmontar cualquier pieza.
- No utilice el aparato para un uso distinto al previsto.
- No exponer a la lluvia.

## **CUIDADO Y MANTENIMIENTO DEL MOTOR DEL ASADOR**

Guarde el horno Pizza en el interior cuando no lo utilice, fuera del alcance de los niños.

## **INSTRUCCIONES DE MANTENIMIENTO PARA SU HORNO DE PIZZA**

- Mantenga la zona del aparato despejada y libre de materiales combustibles, gasolina y otros vapores y líquidos inflamables.
- No obstruya el flujo de la combustión y la ventilación del aire.
- Mantenga la(s) abertura(s) de ventilación de la caja de la bombona libre y sin residuos.
- Compare visualmente las llamas del quemador con representaciones pictóricas.
- Limpie el aparato, incluidas las superficies especiales, con los productos de limpieza recomendados, si es necesario.
- Compruebe y limpie los tubos del quemador/venturi en busca de insectos y nidos de insectos. Un tubo obstruido puede provocar un incendio debajo del aparato.

# CONEXIÓN DE TANQUES DE LP

**AVISO:** Lo(s) cilindros(s) de gas LP utilizado(s) con este horno para pizzas debe(n) estar construido(s) y marcado(s) de acuerdo con las especificaciones para cilindros de gas LP del Departamento de Transporte de los Estados Unidos o de Transport Canada, CAN/CSA B339.

## ⚠ ADVERTENCIA

- Todas las pruebas de fugas deben realizarse al aire libre, en una zona bien ventilada y lejos de fuentes de ignición, como aparatos de gas o eléctricos. Durante la prueba de fugas, manténgase alejado de llamas o chispas.
- Este aparato sólo utiliza gas LP (Licuado de Propano) y el conjunto regulador para el cilindro de 1 lb y cilindro de 20 lb que se suministra con su Horno de Pizza.
- Siga las instrucciones de conexión del regulador.
- Utilice el regulador de presión y el conjunto de mangueras que se suministran con su horno para Pizzas modelo #: HZ-1004-28 para Cilindro de 1 lb. y modelo #: HZ-1007-25 para tanque de 20 libras.
- No intente desconectar el regulador de gas y el conjunto de mangueras o cualquier accesorio de gas mientras su horno para Pizza esté en funcionamiento.
- No utilice un cilindro de gas LP con una válvula dañada.
- El cilindro de LP puede parecer vacío, aunque todavía puede haber gas, y el cilindro de LP debe ser transportado y almacenado teniendo eso en cuenta.
- Si ve, huele o escucha el silbido del gas que se escapa del cilindro de LP:
  1. Aléjese del cilindro de LP.
  2. No intente solucionar el problema usted mismo.
  3. Llame a su departamento de bomberos.
- Desconecte la bombona cuando el aparato no esté en uso.

## ⚠ ADVERTENCIA

Por su seguridad, cuando no lo utilice, retire el cilindro y el regulador. Tape el cilindro, el accesorio de inserción y la desconexión rápida.

## CONECTAR UN CILINDRO DE 1 LB. DESECHABLE

1. Asegúrese de que el mando de control está en posición OFF.
2. Retire el tapón de plástico de la parte superior del cilindro de propano. Guarde la tapa para guardarla. Enrosque el cilindro de propano en el regulador. Tenga cuidado de no enroscarlo mal. Ajuste a mano solamente.
3. El regulador está equipado con una Conexión Rápida. Alinee el accesorio de inserción del regulador con el cuerpo de conexión rápida en el lateral del horno Pizza. Tire hacia atrás del acoplamiento con resorte y luego insértelo en el acoplamiento rápido con firmeza y suéltelo. El inserto del regulador encajará y se bloqueará en su lugar. **Compruebe que no haya fugas en esta conexión.**
4. Nunca haga funcionar el horno con el cilindro de propano al revés.



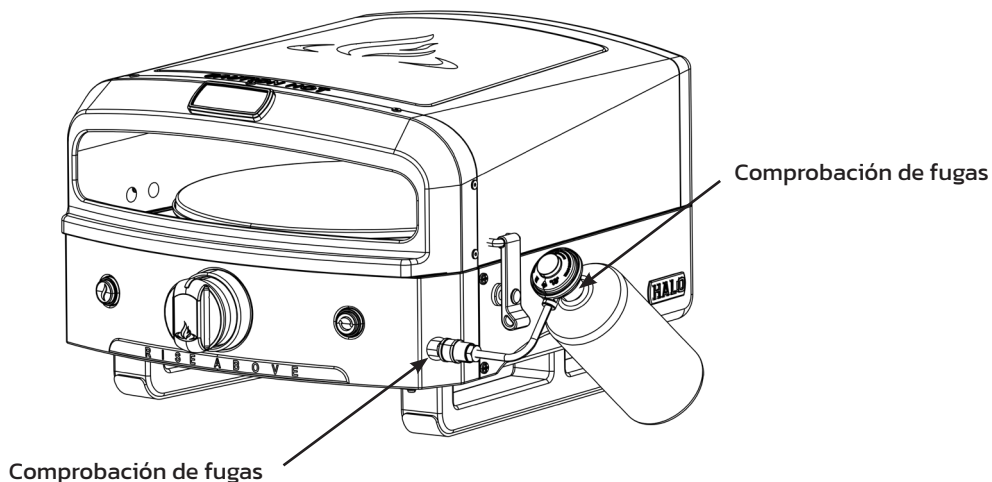
## DESCONECTAR EL CILINDRO DE PROPANO DESECHABLE

1. Gire el mando de control a la posición de OFF y asegúrese de que todas las llamas están apagadas , luego tire hacia atrás de la conexión rápida para soltarla del accesorio de inserción.
2. Asegúrese de que su Horno para Pizzas está apagado y se ha enfriado.
3. Desconecte el regulador del accesorio de inserción tirando hacia atrás del acoplamiento con resorte para liberar el acoplamiento de Conexión Rápida, y luego desenrosque la botella del regulador.

### ADVERTENCIA

El tanque de LP utilizado con este horno para Pizzas debe cumplir con los siguientes requisitos:

- Utilice el aparato sólo con gas LP (propano) y el conjunto regulador/de válvula suministrado.
- La instalación debe cumplir con los códigos locales o, en su defecto, con el Código Nacional de Gas Combustible, NFPA 54/ANSI Z223.1. La manipulación y el almacenamiento de los cilindros de gas LP deben cumplir con el Código de Gas LP NFPA/ANSI 58.
- No modifique este aparato. Las modificaciones supondrán un riesgo para la seguridad.
- Habitantes de apartamentos: Consulte con la administración para conocer los requisitos y códigos de incendio para utilizar un aparato de gas LP en un apartamento. Si está permitido, utilícelo en el exterior en la planta baja con una distancia de 3 metros de las paredes o barandillas.



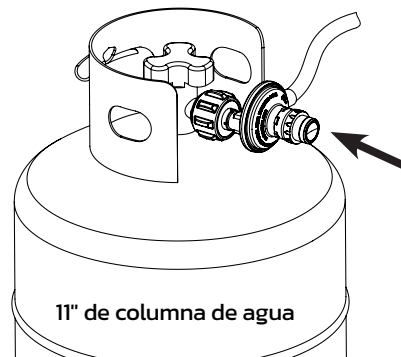
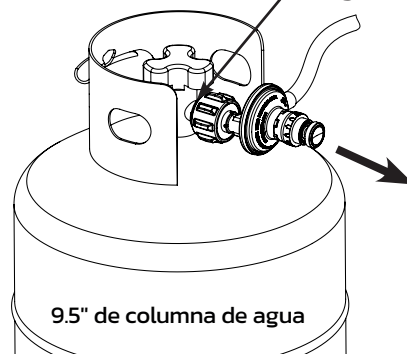
# CONECTAR TANQUE DE 20 LBS.

## CONECTAR MANGUERA + REGULADOR AJUSTABLE TANQUE DE 20 LBS.

Comprobación de fugas

### NOTA:

- El almacenamiento de un aparato en el interior sólo está permitido si la bomba está desconectada y retirada del aparato.
  - Las bombonas deben almacenarse al aire libre, fuera del alcance de los niños, y no deben guardarse en un edificio, garaje o cualquier otro lugar cerrado.
1. Coloque el tanque LP en una superficie segura, nivelada y estable.
  2. Asegúrese de que la válvula del quemador está en posición OFF.
  3. El tanque de LP debe estar en la posición OFF, si no gire la rueda en el sentido de las agujas del reloj hasta que se detenga.
  4. Retire la tapa protectora de la válvula del tanque LP. Utilice siempre la tapa y la correa suministrados con la válvula. ¡NO UTILICE UN ADAPTADOR DE TRANSPORTE POL (pieza de plástico con rosca interior)! ANULARÁ LA FUNCIÓN DE SEGURIDAD DE LA VÁLVULA.
  5. La manguera y el regulador están equipados con Quick Connect. Alinee el acoplamiento de conexión rápida del regulador con el accesorio de inserción en el lateral del Horno para Pizzas. Tire hacia atrás del acoplamiento con resorte en la conexión rápida y luego empuje en el accesorio de inserción con firmeza y suelte. La conexión rápida se encaja y se bloquea en su lugar.
  6. Coloque el conjunto de la manguera en el cilindro.
  7. Abra lentamente la válvula del cilindro.
  8. Realice una comprobación de fugas con agua jabonosa en las conexiones del regulador al horno para Pizza y de la manguera al cilindro. Si ve burbujas, significa que hay una fuga. Compruebe que la conexión no esté mal enroscada y que está bien ajustada. Realice otra comprobación de fugas. Si sigue habiendo una fuga, retire el cilindro y póngase en contacto con el fabricante para que lo revise y lo repare.



## CARACTERÍSTICA AÑADIDA

Su aparato está equipado con un regulador ajustable de baja presión. La presión de funcionamiento normal es de 11" de columna de agua y la presión de funcionamiento más baja disponible es de 9.5" de columna de agua. Cuando el aparato funcione en circunstancias normales, deberá tener el regulador ajustado a la presión de 11" de columna de agua. Si desea cocinar con temperaturas ligeramente más bajas, entonces ajuste el regulador en la posición de columna de agua de 9.5". Dependiendo del ajuste de temperatura que tenga el mando de control determinará cuánto más bajas serán sus temperaturas cuando utilice el ajuste de presión más bajo. Por favor, vea las instrucciones sobre cómo cambiar el ajuste de la columna de agua de 11" y restablecerlo.



## CÓMO AJUSTAR EL REGULADOR

- Tire hacia atrás del acoplamiento con resorte para liberar la tapa del regulador y lograr una columna de agua de 9.5".
- Tire hacia atrás del acoplamiento con resorte y luego empuje la tapa del regulador con firmeza y suéltela. La tapa del regulador va a encajar y se bloqueará en su lugar para restablecer el regulador a 11" de columna de agua.

## PROCEDIMIENTO DE PRUEBA DE FUGAS

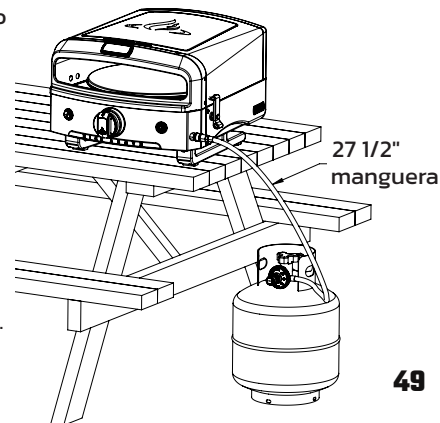
1. Coloque el conjunto de mangueras en el cilindro.
2. Abra lentamente la válvula del cilindro.
3. Realice una verificación de fugas en las conexiones del regulador al horno y de la manguera al cilindro con agua jabonosa. Si ve burbujas, significa que hay una fuga. Compruebe que la conexión no esté mal enroscada y que está bien ajustada.
4. Realice otra comprobación de fugas. Verifique el ajuste de la tuerca de acoplamiento. Si sigue habiendo una fuga, retire el cilindro y póngase en contacto con el fabricante para que lo revise y lo repare.
5. Cuando el aparato no esté en uso, cierre la perilla de control y la válvula del tanque de LP en el cilindro de suministro.
6. No utilice nunca un depósito de gas licuado si está visiblemente oxidado, dañado o caducado.
7. Si observa que la grasa u otro material caliente gotea del aparato sobre la válvula, la manguera o el regulador, cierre inmediatamente el suministro de gas. Determine la causa, corrija, limpie e inspeccione la válvula, la manguera y el regulador antes de continuar. Realice una prueba de fugas.
8. El regulador puede emitir un zumbido o un silbido durante su funcionamiento. Esto no afectará a la seguridad ni al uso del aparato.
9. Limpie e inspeccione la manguera antes de cada uso del aparato. Si hay evidencia de abrasión, desgaste, cortes o fugas, la manguera debe ser reemplazada antes de poner el aparato en funcionamiento. Consulte la etiqueta del producto para obtener información sobre la manguera y el regulador.
10. No obstruya los orificios de la parte inferior o de los lados del aparato.
11. Nunca opere el aparato con los tanques LP fuera de la posición correcta especificada en las Instrucciones de Ensamblaje.
12. Cierre siempre la válvula del tanque LP y retire la tuerca de acoplamiento antes de mover el tanque LP de la posición de funcionamiento especificada.
13. NUNCA almacene un tanque LP de repuesto debajo o cerca del aparato o en un recinto.
14. Si ve, huele o escucha un escape de gas, aléjese inmediatamente del tanque/aparato de gas licuado y llame a los bomberos.
15. Todos los tanques LP de repuesto deben tener tapas de seguridad instaladas en la salida del tanque LP.

### ⚠ ADVERTENCIA

1. No guarde una bombona de gas LP de repuesto debajo o cerca de este aparato.
2. No llene nunca la bombona más allá del 80% de su capacidad.
3. Si no se siguen exactamente las instrucciones de (1) y (2), puede producirse un incendio que puede causar la muerte o lesiones graves.

### ⚠ ADVERTENCIA

Peligro de tropiezo con la manguera y el cilindro de suministro.



# INSTRUCCIONES DE ENCENDIDO

## ENCENDER EL HORNO DE PIZZA

1. Lea las instrucciones antes de encenderlo.
2. Empuje y gire el mando de control en sentido contrario a las agujas del reloj hasta la posición Light/Hi y luego presione el encendedor de la izquierda para activar el encendido.
3. Ajuste la temperatura al nivel deseado.
4. Si no se produce el encendido, apague el gas girando el mando en el sentido de las agujas del reloj y repita las instrucciones de encendido.

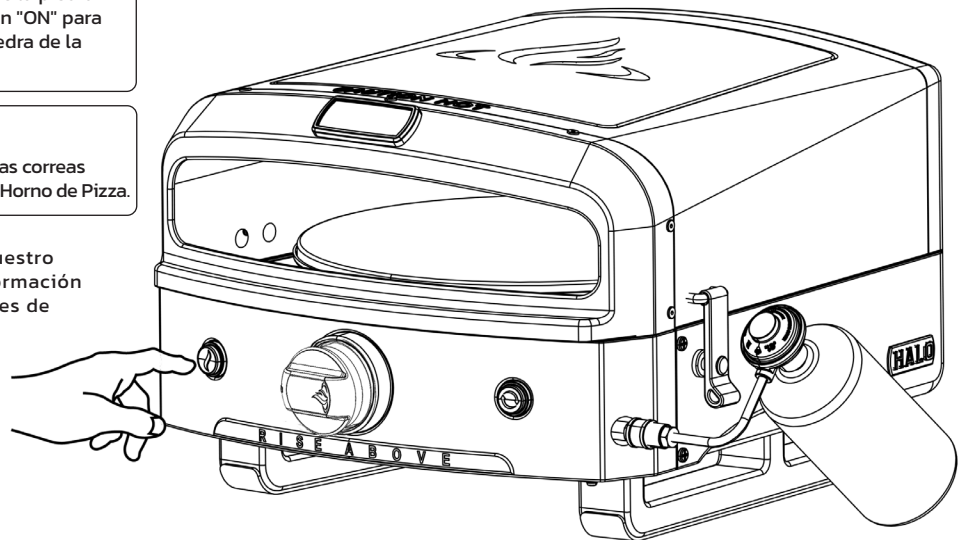
### ⚠ ADVERTENCIA

No haga funcionar su Horno de Pizza sin que la plataforma giratoria de la piedra de la pizza esté en la posición "ON" para evitar cualquier daño a la piedra de la pizza.

### ⚠ ADVERTENCIA

La tapa debe estar cerrada y las correas enganchadas antes de usar el Horno de Pizza.

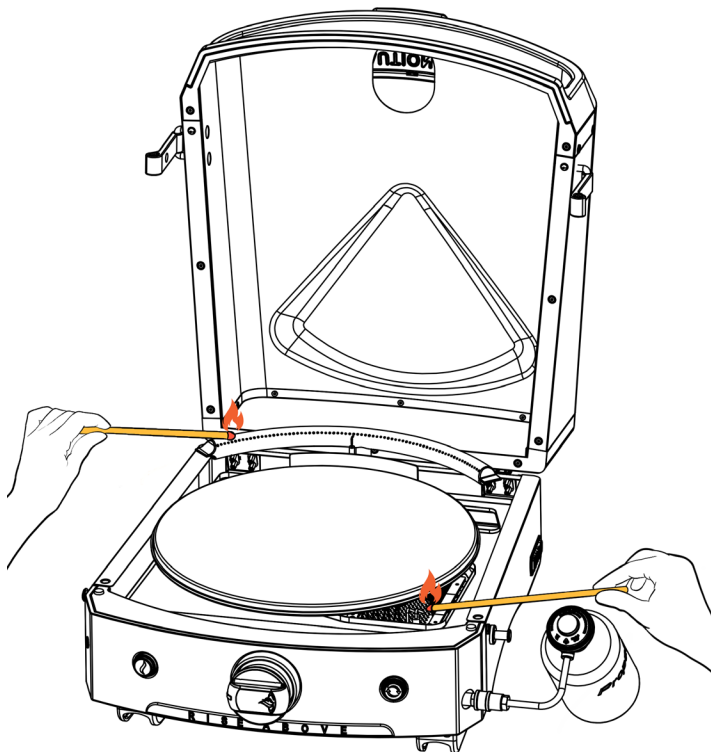
**NOTA:** Por favor, consulte nuestro sitio web para obtener información adicional sobre los controles de temperatura.



## INSTRUCCIONES PARA EL ENCENDIDO CON FÓSFOROS

**NOTA:** Si los quemadores no se encienden después de varios intentos con el encendedor, se pueden encender con una cerilla larga.

1. Libere los pestillos en ambos lados.
2. Abra la tapa.
3. Utilice una cerilla de 11" de largo, encienda la cerilla para encender el quemador trasero y el quemador infrarrojo.
4. Empuje y gire el mando de control hacia la posición HIGH lentamente. Los quemadores deberían encenderse inmediatamente. Asegúrese de que los quemadores permanezcan encendidos.
5. Si el quemador no se enciende en unos segundos, gire el mando de control a la posición OFF y espere cinco (5) minutos e inténtelo de nuevo.



# SOLUCIÓN DE PROBLEMAS

## EL QUEMADOR NO SE ENCIENDE CON EL ENCENDEDOR ELECTRÓNICO.

### CAUSA POSIBLE:

- Regulador defectuoso.
- Obstrucciones en el quemador.
- Obstrucciones en los chorros de gas o en la manguera de gas.
- El electrodo está dañado/ encendedor defectuoso.
- Vacíe el cilindro de LP.

### SOLUCIÓN:

- Haga revisar o sustituir el regulador.
- Limpie el quemador.
- Limpie los chorros y la manguera de gas.
- Cambie el electrodo y el cable o cambie el encendedor.
- Utilice un cilindro de LP nuevo.

## EL QUEMADOR NO SE ENCIENDE CON UNA CERILLA.

### CAUSA POSIBLE:

- Regulador defectuoso.
- Obstrucciones en los orificios de gas o en la manguera de gas.
- Vacíe el cilindro de LP.

### SOLUCIÓN:

- Haga revisar o sustituir el regulador.
- Limpie el venturi del quemador.
- Limpie el orificio y revise la manguera de gas.
- Utilice un cilindro de LP nuevo.

## EL PATRÓN DE LA LLAMA DEL QUEMADOR ES ERRÁTICO.

LA LLAMA ES BAJA CUANDO EL QUEMADOR ESTÁ EN HI. LAS LLAMAS NO RECORREN TODA LA LONGITUD DEL TUBO DEL QUEMADOR.

### CAUSA POSIBLE:

- Obstrucciones en el quemador.

### SOLUCIÓN:

- Limpie el venturi del quemador.

## **EL FUEGO EN EL TUBO DEL QUEMADOR TIENE UNA LLAMA BAJA O UN RETROCESO**

**(PUEDE OÍRSE UN SILBIDO O UN RUGIDO).**

### **CAUSA POSIBLE:**

- Obstrucciones en el quemador.
- Obstrucciones en los chorros de gas o en la manguera de gas.
- Condiciones de viento.

### **SOLUCIÓN:**

- Limpie el quemador.
- Limpie los chorros y la manguera de gas.
- Utilice la parrilla en un lugar más protegido.

## **EL QUEMADOR NO SE ENCIENDE O LA LLAMA ESTÁ BAJA EN LA POSICIÓN HI.**

### **CAUSA POSIBLE:**

- Regulador defectuoso.
- Obstrucciones en los orificios de gas o en la manguera de gas.
- Vacíe el cilindro de LP.

### **SOLUCIÓN:**

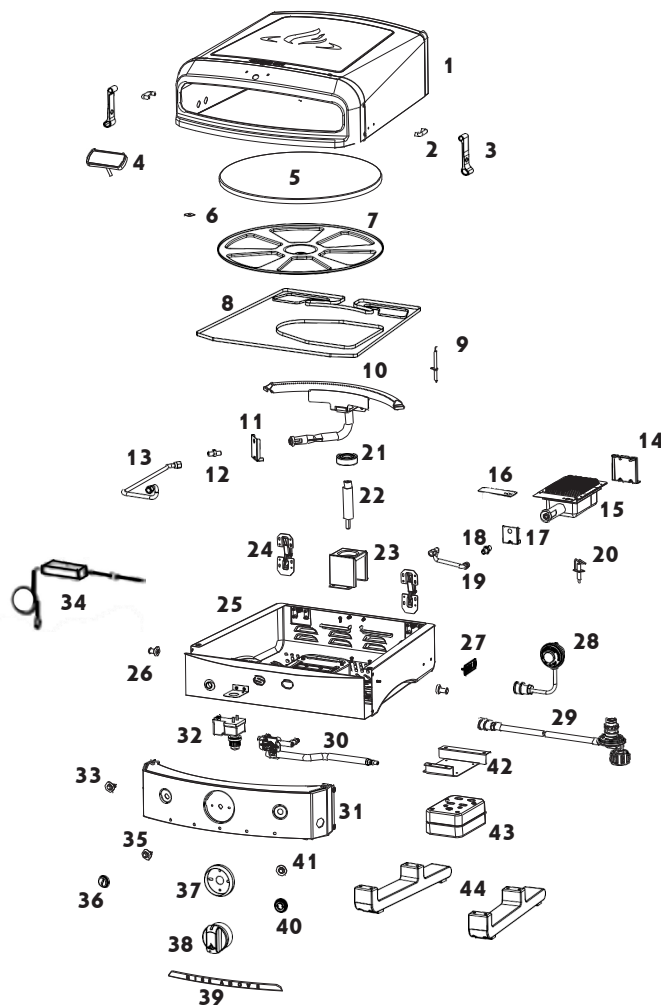
- Haga revisar o sustituir el regulador.
- Limpie el venturi del quemador.
- Limpie el orificio y revise la manguera de gas.
- Utilice un cilindro de LP nuevo.

## **SOLUCIÓN DE PROBLEMAS DEL MOTOR DEL ASADOR**

### **PROBLEMA?**

Faltan piezas o el motor no funciona.  
Llame al servicio de atención al cliente al  
1-833-572-1688.

# PIEZAS DE RECAMBIO **VERSA 16**



<b>ARTÍCULO</b>	<b>DESCRIPCIÓN DE LA PIEZA</b>	<b>NÚMERO DE PIEZA</b>
1	Montaje de la Parte Superior del Horno	HZ-1004-01
2	Tapa-Soporte de Pestillo	HZ-1004-02
3	Tapa-Pestillo	HZ-1004-03
4	Indicador de Calor (Termómetro)	HZ-1004-04
5	Piedra para Pizza	HZ-1004-05
6	Lavadora-Montaje de la Bandeja para Pizza	HZ-1004-06
7	Bandeja-Piedra de Pizza	HZ-1004-07
8	Bandeja de Limpieza	HZ-1004-08
9	Conjunto de Electroodos-Quemador Trasero	HZ-1004-09
10	Conjunto del Quemador Trasero	HZ-1004-10
11	Ménsula-Soporte de Orificio-Quemador Trasero	HZ-1004-11
12	Orificio-quemador trasero	HZ-1004-12
13	Línea de Gas (corrugada)-Quemador Trasero	HZ-1004-13
14	Ménsula-Soporte Quemador Infrarrojo	HZ-1004-14
15	Quemador Infrarrojo	HZ-1004-15
16	Ménsula-Electrodo de Quemador Infrarrojo	HZ-1004-16
17	Ménsula-Quemador Infrarrojo	HZ-1004-17
18	Orificio-Quemador Infrarrojo	HZ-1004-18
19	Línea de Gas (corrugada)-Quemador Infrarrojo	HZ-1004-19
20	Conjunto de Electroodos-Quemador Infrarrojo	HZ-1004-20
21	Paquete de Rodamiento-Plataforma Giratoria	HZ-1004-21
22	Motor de Eje-Plataforma Giratoria	HZ-1004-22
23	Ménsula-Soporte de Rodamiento	HZ-1004-23
24	Bisagras-Soporte Superior de Pizza	HZ-1004-24
25	Conjunto del Fondo del Horno	HZ-1004-25

# PIEZAS DE RECAMBIO VERSA 16

ARTÍCULO	DESCRIPCIÓN DE LA PIEZA	NÚMERO DE PIEZA
26	Pin-Pestillo de Tapa	HZ-1004-26
27	Placa con el Logotipo de Halo Sizzle	HZ-1004-27
28	Regulador-Cilindro de 1 lb.	HZ-1004-28
29	Regulador-Tanque de 20 libras.	HZ-1007-25
30	Conjunto de Válvula y Colector	HZ-1004-30
31	Panel de Control	HZ-1004-31
32	Módulo de Encendido Electrónico	HZ-1004-32
33	Toma de Corriente A/C/110-120 voltios	HZ-1004-33
34	Adaptador CA/CD	HZ-1004-34
35	Interruptor de Encendido	HZ-1004-35
36	Botón de Encendido	HZ-1004-36
37	Bisel de Mando de Control-Común	HZ-1004-37
38	Mando de Control-Común	HZ-1004-38
39	Logotipo RISE ABOVE	HZ-1004-39
40	Mesa Giratoria de Interruptor de Arranque de Goma	HZ-1004-40
41	Interruptor ON/OFF-Plataforma Giratoria	HZ-1004-41
42	Ménsula-Soporte de Motor	HZ-1004-42
43	Motor	HZ-1004-43
44	Pata Común D/I	HZ-1004-44
	<b>NO INCLUIDO EN LA IMAGEN</b>	
45	Cable de Encendido-Quemador Trasero-Largo	HZ-1004-45
46	Cable de Encendido-Quemador Infrarrojo-Corto	HZ-1004-46
47	Manual del Usuario	HZ-1004-47
48	Paquete de Hardware	HZ-1004-48



# GARANTÍA LIMITADA DE CINCO (5) AÑOS

Esta garantía sólo se aplica a las unidades adquiridas de un distribuidor autorizado. El fabricante garantiza únicamente al consumidor-comprador original que este producto estará libre de defectos de mano de obra y materiales después de un montaje correcto y bajo un uso doméstico normal y razonable durante los períodos indicados a continuación a partir de la fecha de compra.

ALCANCE DE LA COBERTURA	PERÍODO DE COBERTURA	TIPO DE COBERTURA DE FALLAS
Caja de Fuego de Cocción y todos los componentes no contemplados a continuación	5 Años	SÓLO DEFECTOS DE PERFORACIÓN, FABRICACIÓN Y MATERIALES
Quemadores, Piedra para pizza y bandeja, Mando de control	5 Años	
Componentes Eléctricos	1 Años	
Pintura	1 Años	

El fabricante se reserva el derecho de exigir que las piezas defectuosas sean devueltas, a portes pagados, por el consumidor para su revisión y examinación.

Conserve una copia del comprobante de compra para validar su garantía. Es posible que se le pida que envíe una copia de su recibo para confirmar cualquier solicitud de garantía.

El consumidor-comprador original será responsable de todos los gastos de envío de las piezas sustituidas bajo los términos de esta garantía limitada. Esta garantía limitada es aplicable únicamente en Estados Unidos y Canadá, sólo está disponible para el propietario original del producto y no es transferible. El fabricante requiere una prueba de la fecha de compra. Por lo tanto, debe conservar el comprobante de venta o la factura. El registro de su producto no sustituye a la prueba de compra y el fabricante no es responsable ni está obligado a conservar los registros de prueba de compra. Esta garantía limitada se aplica SÓLO a la funcionalidad del producto y no cubre problemas estéticos como arañazos, abolladuras, corrosiones o decoloración por el calor, limpiadores abrasivos y químicos o cualquier herramienta utilizada en el montaje o instalación del aparato, óxido de la superficie o decoloración de las superficies de acero inoxidable. La pintura no está incluida en la garantía y requerirá retoques. La OXIDACIÓN no se considera un defecto de fabricación o de los materiales.

Esta garantía limitada no le reembolsará el coste de cualquier inconveniente, comida, lesión personal o daño a la propiedad.

# GARANTÍA LIMITADA DE CINCO (5) AÑOS

## ARTÍCULOS QUE EL FABRICANTE NO PAGARÁ

1. Gastos de envío, estándar o prioritario, para la garantía y las piezas de recambio.
2. Llamadas de servicio a domicilio.
3. Reparaciones cuando su producto se utiliza para un uso distinto al normal, doméstico o residencial.
4. Los daños, fallos o dificultades de funcionamiento resultantes de accidentes, alteraciones, manipulación descuidada, mal uso, abuso, incendio, inundación, instalación o mantenimiento inadecuados, instalación no conforme a los códigos eléctricos o de fontanería, o uso de productos no aprobados por el fabricante.
5. Cualquier pérdida de alimentos debida a fallos del producto o a dificultades de funcionamiento.
6. Los costes de las piezas de recambio o de la mano de obra de reparación de las unidades que se utilizan fuera de los Estados Unidos o Canadá.
7. Recogida y entrega de su producto.
8. Las reparaciones de piezas o sistemas resultantes de modificaciones no autorizadas realizadas en el producto.
9. La retirada y/o reinstalación de su producto.

## RENUNCIA A LAS GARANTÍAS IMPLÍCITAS Y LIMITACIÓN DE LOS RECURSOS

La reparación o el reemplazo de las piezas defectuosas es su único remedio bajo los términos de esta garantía limitada. En caso de que haya problemas de disponibilidad de piezas, el fabricante se reserva el derecho de sustituirlas por otras iguales o similares que sean igualmente funcionales. El fabricante no será responsable de ningún daño consecuente o incidental que surja del incumplimiento de esta garantía limitada o de cualquier garantía implícita aplicable, ni de los fallos o daños resultantes de actos fortuitos, cuidado y mantenimiento inadecuados, incendio por grasa, accidente, alteración, sustitución de piezas por alguien que no sea el fabricante, uso indebido, transporte, uso comercial, abuso, entornos hostiles (inclemencias del tiempo, actos de la naturaleza, manipulación de animales), instalación inadecuada o instalación que no cumpla con los códigos locales o las instrucciones impresas del fabricante.

**5 YEAR**  
LIMITED  
**WARRANTY**

**ESTA GARANTÍA LIMITADA ES LA ÚNICA GARANTÍA EXPRESA OFRECIDA POR EL FABRICANTE. NINGUNA ESPECIFICACIÓN O DESCRIPCIÓN DEL RENDIMIENTO DEL PRODUCTO, DONDEQUIERA QUE APAREZCA, ESTÁ GARANTIZADA POR EL FABRICANTE, EXCEPTO EN LA MEDIDA ESTABLECIDA EN ESTA GARANTÍA LIMITADA. CUALQUIER PROTECCIÓN DE GARANTÍA IMPLÍCITA QUE SURJA BAJO LAS LEYES DE CUALQUIER ESTADO, INCLUYENDO LA GARANTÍA IMPLÍCITA DE COMERCIABILIDAD O IDONEIDAD PARA UN PROPÓSITO O USO PARTICULAR, SE LIMITA POR LA PRESENTE A LA DURACIÓN DE ESTA GARANTÍA LIMITADA.**

La responsabilidad máxima del fabricante, en cualquier caso, no superará el precio de compra del producto pagado por el consumidor original. NOTA: Algunos estados no permiten la exclusión o limitación de los daños incidentales o consecuentes, por lo que algunas de las limitaciones o exclusiones anteriores pueden no aplicarse en su caso. Esta garantía limitada le otorga los derechos legales específicos que se establecen en el presente documento. También puede tener otros derechos que varían de un estado a otro. Sólo en el estado de California, si el reacondicionamiento o la sustitución del producto no son comercialmente viables, el minorista que vende este producto o el fabricante reembolsarán el precio de compra pagado por el producto, menos la cantidad directamente atribuible al uso por parte del consumidor-comprador original antes de descubrir la no conformidad. Además, sólo en el estado de California, puede llevar el producto al establecimiento de venta de este producto para obtener el cumplimiento de esta garantía limitada. Si desea exigir el cumplimiento de cualquier obligación en virtud de esta garantía limitada, debe escribir a:

**Halo Products Group LLC 850 West Park Rd Elizabethtown KY, 42701**

No se aceptarán devoluciones de consumidores a menos que se adquiera primero una autorización de devolución válida. Las devoluciones autorizadas se marcan claramente en el exterior del paquete con un número RA y el paquete se envía con franqueo pagado. Las devoluciones de los consumidores que no cumplan estas normas serán rechazadas.

## **SERVICIO AL CLIENTE**

Si tiene preguntas sobre su producto, o si necesita piezas de repuesto, póngase en contacto con nosotros:

**Llamada gratuita: 1-833-572-1688 o**  
Visítenos en línea en **[www.halo-pg.com](http://www.halo-pg.com)**

# MANUEL DU PROPRIÉTAIRE

## MODÈLE N°: HZ-1004-ANA



### **⚠️ AVERTISSEMENT**

- "POUR UN USAGE EXTÉRIEUR UNIQUEMENT."
- "LISEZ TOUTES LES INSTRUCTIONS AVANT D'INSTALLER ET D'UTILISER L'APPAREIL."
- "CONSERVEZ CES INSTRUCTIONS."

### **⚠️ AVERTISSEMENT**

Ce manuel d'instructions contient des informations importantes nécessaires au montage correct et à l'utilisation sûre de l'appareil.

### **⚠️ AVERTISSEMENT**

N'essayez pas d'allumer cet appareil sans avoir lu la section Instructions d'allumage de ce manuel.

### **⚠️ AVERTISSEMENT**

Le fabricant s'est efforcé d'éliminer toute arête vive. Cependant, vous devez manipuler tous les composants avec précaution pour éviter toute blessure accidentelle.

### **⚠️ AVERTISSEMENT**

Ne laissez pas l'appareil sans surveillance. Tenez les enfants et les animaux domestiques éloignés de l'appareil à tout moment.

### **⚠️ AVERTISSEMENT**

Placez un bouchon anti-poussière sur la sortie du robinet de la bouteille lorsque celle-ci n'est pas utilisée. N'installez sur la sortie du robinet de la bouteille que le type de bouchon anti-poussière fourni avec le robinet de la bouteille. D'autres types de capuchons ou de bouchons peuvent entraîner des fuites de propane.

### **⚠️ AVERTISSEMENT**

Si vous utilisez une allumette pour allumer l'appareil, veillez à utiliser une allumette longue.

Halo Products Group LLC  
850 West Park Rd Elizabethtown KY, 42701  
Toll free: 1-833-572-1688

**SCAN POUR**  
l'enregistrement du produit  
le guide du propriétaire en ligne  
les vidéos de montage



## **⚠ DANGER**

**Si vous sentez une odeur de gaz :**

- **Fermez le gaz de l'appareil**
- **Éteignez toute flamme nue.**
- **Ouvrez le couvercle.**
- **Si l'odeur persiste, éloignez-vous de l'appareil et appelez immédiatement les pompiers.**

**Le non-respect de ces instructions peut entraîner un incendie, une explosion ou un risque de brûlure pouvant causer des dommages matériels, des blessures ou la mort.**

## **⚠ AVERTISSEMENT**

POUR UTILISATION EXTERIEURE UNIQUEMENT et ne doit pas être utilisé dans un bâtiment, un garage ou tout autre endroit fermé.

## **⚠ ATTENTION**

- Faites attention lorsque vous manipulez la pierre à pizza.
- La pierre est fragile et peut se briser en cas de choc ou de chute.
- N'utilisez pas une pierre endommagée.
- La pierre à pizza est extrêmement chaude pendant l'utilisation et reste chaude pendant une longue période après l'utilisation.
- Laissez refroidir la pierre à pizza avant de la manipuler.
- Utilisez toujours des mitaines ou des gants pour manipuler la pierre à pizza. Une mauvaise manipulation peut provoquer de graves brûlures.
- N'utilisez pas la pierre au-dessus d'une flamme nue.

## **⚠ AVERTISSEMENT**

Cet appareil n'est pas destiné à un usage commercial.

## **⚠ DANGER**

- **Ne faites jamais fonctionner cet appareil sans surveillance.**
- **Ne faites jamais fonctionner cet appareil à moins de 3,0 m (10') d'une structure, d'un matériau combustible ou d'une autre bouteille de gaz.**
- **Ne faites jamais fonctionner cet appareil à moins de 25' (7,5 m) d'un liquide inflammable.**
- **En cas d'incendie, éloignez-vous de l'appareil et appelez immédiatement les pompiers. N'essayez pas d'éteindre un feu d'huile ou de graisse avec de l'eau.**

**Le non-respect de ces instructions peut entraîner un incendie, une explosion ou un risque de brûlure pouvant causer des dommages matériels, des blessures ou la mort.**

## **⚠ AVERTISSEMENT**

### **PROPOSITION 65 DE LA CALIFORNIE**

Ce produit peut vous exposer à des produits chimiques, y compris le monoxyde de carbone, qui sont connus dans l'État de Californie pour provoquer des cancers et des anomalies congénitales ou d'autres problèmes de reproduction. Pour plus d'informations, consultez le site [www.P65Warnings.ca.gov](http://www.P65Warnings.ca.gov)

## **⚠ WARNING**

- "Lire et suivre toutes les mises en garde et toutes les instructions avant l'assemblage et l'utilisation de l'appareil."
- "Suivre toutes les mises en garde et toutes les instructions lors de l'utilisation de l'appareil."
- "Conservez cette notice pour consultation ultérieure."
- "Tenir le tuyau d'alimentation loin des surfaces chauffées."

## **⚠ AVERTISSEMENT**

Vérifiez l'étanchéité de tous les raccords d'alimentation en gaz avant chaque utilisation. N'utilisez pas l'appareil tant que toutes les connexions n'ont pas été vérifiées et ne présentent pas de fuite.

## **⚠ AVERTISSEMENT**

Ne faites pas fonctionner votre four à pizza sans que le plateau tournant de la pierre à pizza soit en position "ON" pour éviter tout dommage à votre pierre à pizza.

## **⚠ AVERTISSEMENT**

Le couvercle doit être fermé et les sangles verrouillées avant d'utiliser le four à pizza.

## **⚠ AVERTISSEMENT**

Les araignées et les insectes peuvent se nicher à l'intérieur du brûleur de l'appareil et perturber l'écoulement du gaz. Inspectez le brûleur au moins une fois par an.

## **⚠ AVERTISSEMENT**

En cas de pluie, de neige, de grêle, de grésil ou d'autres formes de précipitations pendant que vous cuisinez avec de l'huile ou de la graisse, couvrez immédiatement le récipient de cuisson et éteignez les brûleurs de l'appareil et l'alimentation en gaz. N'essayez pas de déplacer l'appareil ou le récipient de cuisson.

# SOIN DE VOTRE VERSA 16

## ENTRETIEN + MAINTENANCE

Nettoyez régulièrement votre four à pizza entre les utilisations et surtout après de longues périodes de stockage. Assurez-vous que le four à pizza et ses composants sont suffisamment refroidis avant de les nettoyer. Ne manipulez jamais les pièces chaudes avec des mains non protégées. Afin de prolonger et de maintenir la durée de vie et l'état du four à pizza, nous recommandons fortement de nettoyer le plateau de nettoyage et de couvrir l'appareil lorsqu'il est laissé à l'extérieur pendant un certain temps, en particulier pendant les mois d'hiver.

## VÉRIFICATION DE LA FLAMME DU BRÛLEUR

Allumez le brûleur puis tournez le bouton de HIGH à LOW. Vous devriez voir une flamme plus petite sur la position LOW que sur la position HIGH. Vérifiez toujours la flamme avant chaque utilisation. Une bonne flamme doit être bleue avec une pointe jaune minimale. Quelques pointes jaunes sur les flammes sont acceptables si aucun dépôt de carbone ou de suie n'apparaît.

## REPLISSAGE DE GRAISSE D'UN ROULEMENT

L'élimination des huiles, graisses et revêtements anticorrosion existants prend de plus en plus d'importance au fur et à mesure de la durée de vie et de la fiabilité du produit. Une quantité de remplissage appropriée garantit que toutes les surfaces de contact disposent d'un film lubrifiant adéquat.

## NETTOYAGE + STOCKAGE

Il est recommandé de vérifier et de resserrer annuellement les raccords métalliques. Rangez le four à pizza dans un endroit frais et sec. Couvrez les brûleurs avec du papier d'aluminium afin d'éviter que des insectes ou d'autres débris ne s'accumulent dans les orifices des brûleurs. Si le four à pizza doit être entreposé à l'intérieur, le régulateur de la bouteille de gaz ou le réservoir de 20 livres doit être débranché et laissé à l'extérieur. La bouteille de gaz et le réservoir de 20 livres doivent toujours être entreposés à l'extérieur, hors de portée des enfants, et dans un endroit sec et bien ventilé, loin de toute source de chaleur ou d'inflammation.

## ENTRETIEN DE VOTRE PIERRE À PIZZA

Avant d'utiliser votre grès pour la première fois, suivez ces quelques étapes simples. N'oubliez pas que vous ne devez pas faire tremper le grès dans l'eau avant de l'utiliser.

- Rincez la pierre à l'eau chaude, puis séchez-la avec une serviette.
- Assaisonnez la pierre en faisant cuire sur sa surface un aliment riche en graisses, comme des rouleaux de croissant réfrigérés ou de la pâte à biscuits. Ensuite, le graissage est généralement inutile. Si les aliments collent légèrement, vous pouvez vaporiser légèrement la surface avec un spray d'huile végétale pour les prochaines utilisations.

## ASSAISONNEMENT DE VOTRE PIERRE POUR UNE PARFAITE PERFECTION

Lorsque vous préparez votre pierre pour la première fois, vous commencez le processus d'assaisonnement naturel. L'assaisonnement se produit lorsque les graisses et les huiles des aliments adhèrent progressivement à la surface du grès. Ce phénomène est parfaitement naturel et ne constitue pas une menace pour la sécurité alimentaire. Au fur et à mesure que votre grès s'assaisonne, il forme un revêtement antiadhésif. La couleur de la pierre va aussi progressivement passer de sa couleur chamois naturelle à un brun profond. Si vous préférez que vos ustensiles de cuisson aient l'air tout neufs, vous

devrez vous faire à l'idée que le grès est plus performant lorsqu'il a l'air d'avoir été utilisé. En fait, plus sa surface est foncée, meilleures sont ses qualités de cuisson, tout comme un wok en acier bien assaisonné ou une poêle en fonte.

## NETTOYER VOTRE PIERRE EST FACILE

Croyez-le ou non, le nettoyage de votre pierre est la partie la plus facile de son entretien. Comme vous souhaitez conserver intact l'assaisonnement de la surface, un nettoyage doux suffit. En fait, il est important de ne pas utiliser de savon ou de détergent pour nettoyer le grès. Le savon se fixe aux graisses et aux huiles contenues dans l'assaisonnement et reste à la surface, donnant une saveur savonneuse aux prochains aliments qui seront cuits dessus. Pour la même raison, le grès ne doit pas être lavé dans un lave-vaisselle. Voici quelques étapes simples pour le nettoyage:

- Laissez la pierre refroidir complètement avant de la nettoyer.
- Grattez l'excédent de nourriture à l'aide d'un grattoir en nylon ou d'une simple spatule en nylon.
- Si nécessaire, trempez le grès dans de l'eau claire et chaude pour décoller les aliments qui ont cuit.
- Rincez et séchez soigneusement.

Si vous suivez ces instructions simples de nettoyage, la pierre ne pourra pas contenir de bactéries nocives qui constitueraient une menace pour la sécurité alimentaire. La surface de la pierre est propre et sûre, à condition que toutes les particules alimentaires aient été éliminées et que la pierre soit bien séchée avant d'être rangée.

## **DIRECTIVES GÉNÉRALES D'UTILISATION**

La chose la plus importante à retenir au sujet de votre pierre est qu'elle n'aime pas les changements de température extrêmes et soudains. Malgré sa durabilité, la céramique n'est pas indestructible. Si vous exposez votre pierre à de brusques changements de température, elle peut développer de petites fissures capillaires ou se briser. En appliquant les directives suivantes, votre pierre durera de nombreuses années.

- Utilisez toujours une pièce en grès dont la taille correspond étroitement à celle de l'aliment à préparer.
- Les aliments congelés épais et denses doivent être décongelés avant la cuisson. Une pizza congelée ou des aliments précuits congelés tels que des nuggets de poulet, des frites et des bâtonnets de poisson ne posent aucun problème. Veillez simplement à répartir uniformément les petits morceaux sur la surface.
- Laissez la pierre chaude refroidir complètement avant de l'immerger dans l'eau ou de verser de l'eau ou d'autres liquides dans ou sur elle.
- Le grès ne peut pas être utilisé sous le grill ou directement au-dessus d'une source de chaleur, comme le brûleur d'une cuisinière.
- La platine doit être allumée pendant que le four et la pierre sont en préchauffage. Le préchauffage du four avec la plaque tournante OFF peut provoquer la fissuration ou la rupture de la pierre.
- Le grès peut être congelé. Ne pas transférer directement du congélateur au four.
- Utilisez les mêmes temps et températures de cuisson que pour les autres ustensiles de cuisson. La seule exception est si l'aliment nécessite un temps de cuisson inférieur à 10 minutes. Il se peut que vous deviez faire cuire ces articles 1 à 2 minutes de plus. Lorsque vous faites cuire des biscuits, par exemple, la première fournée peut nécessiter quelques minutes supplémentaires, mais les fournées suivantes seront cuites dans le temps imparti.
- Le grès passe au micro-ondes. Cependant, les aliments ne deviendront pas croustillants ou bruns au micro-ondes.
- Si vous utilisez un four à convection, pensez à réduire la température du four et le temps de cuisson de la quantité spécifiée dans le manuel d'utilisation et d'entretien du four. Si les aliments brunissent trop rapidement, couvrez légèrement la surface de l'aliment avec du papier d'aluminium pendant une partie du temps de cuisson.
- Utilisez toujours une manique ou une plaque de cuisson épaisse et résistante à la



chaleur lorsque vous manipulez du grès chaud. Il devient extrêmement chaud, tant au four qu'au micro-ondes.

- Les aliments peuvent être coupés directement sur le grès pour être servis.

## **CARACTÉRISTIQUES DU MOTEUR DE LA RÔTISSOIRE**

- Ce moteur de rôtissoire fonctionnant sur piles peut tourner pendant environ 36 heures avec un jeu de piles D ou avec l'adaptateur CA fourni. Grâce à l'utilité d'un moteur à courant continu direct, ce moteur a prouvé qu'il était très performant en termes de fiabilité et de fonctionnement.
- 2 piles D (non incluses).
- Adaptateur secteur inclus pour des possibilités d'utilisation étendues.
- Le train d'engrenages anti-rebond assure un fonctionnement silencieux et régulier.
- Le moteur produit un couple maximal de 25 in./lbs.

Veillez noter que cet article est conçu pour les fours à pizza d'extérieur ou d'autres appareils de cuisson d'extérieur qui nécessitent spécifiquement l'utilisation d'un moteur de rôtissoire motorisé pour la cuisson des aliments.

## **CONSIGNES DE SÉCURITÉ IMPORTANTES DE LA RÔTISSOIRE**

Lisez les consignes de sécurité suivantes avant d'utiliser le moteur de la rôtissoire.

- Ce moteur n'est pas destiné à être utilisé dans des usines de fabrication/de

revêtement ou dans des environnements autres que ceux décrits.

- Ne pas toucher la surface chaude à mains nues.
- Laissez la rôtissoire refroidir avant de la nettoyer ou d'en retirer des pièces.
- N'utilisez pas l'appareil pour un usage autre que celui prévu.
- Ne pas exposer à la pluie.

## **SOIN + ENTRETIEN DU MOTEUR DE ROTISSERIE**

Rangez le four à pizza à l'intérieur lorsqu'il n'est pas utilisé; hors de portée des enfants.

## **LES INSTRUCTIONS D'ENTRETIEN DE VOTRE FOUR À PIZZA**

- Gardez la zone de l'appareil dégagée et exempte de matériaux combustibles, d'essence et d'autres vapeurs et liquides inflammables.
- N'obstruez pas le flux de combustion et la ventilation de l'air.
- Maintenez la ou les ouvertures de ventilation du boîtier de la bouteille libres et dégagées de tout débris.
- Vérifiez visuellement les flammes du brûleur à l'aide de représentations graphiques.
- Nettoyez l'appareil, y compris les surfaces spéciales, avec les produits de nettoyage recommandés, si nécessaire.
- Vérifiez et nettoyez le brûleur/les tubes venturi pour détecter les insectes et les nids d'insectes. Un tube bouché peut entraîner un incendie sous l'appareil.

# CONNEXION 1 LB. BOUTEILLE

**REMARQUE:** La ou les bouteilles de gaz liquéfié utilisées avec ce four à pizza doivent être construites et marquées conformément spécifications des bouteilles de gaz liquéfié du ministère des Transports des États-Unis ou de Transport Canada, CAN/CSA B339.

## ⚠ AVERTISSEMENT

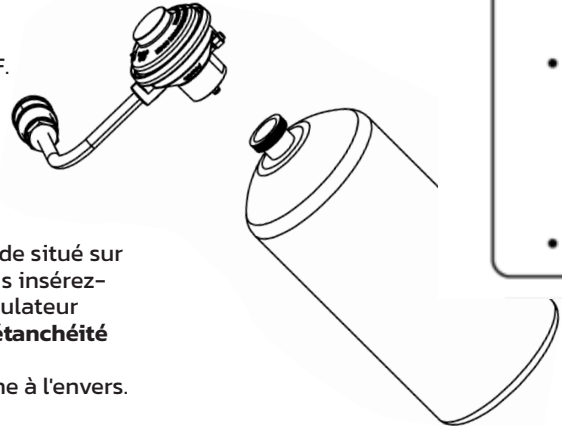
- Tous les tests d'étanchéité doivent être effectués à l'extérieur, dans une zone bien ventilée uniquement et à l'écart de toute d'inflammation telle que des appareils électriques ou à gaz. Pendant le test d'étanchéité, tenez-vous à l'écart des flammes et des étincelles.
- Cet appareil fonctionne uniquement avec du gaz LP (Liquid Propane) et un assemblage de régulateur pour une bouteille de une bouteille de 20 lb fournis avec votre four à pizza.
- Suivez les instructions de connexion du régulateur.
- Utilisez le régulateur de pression et l'ensemble de tuyaux qui sont fournis avec votre four à pizza modèle # : HZ-1004-28 pour une bouteille de 1 lb et modèle # : HZ-1007-25 pour un réservoir de 20 lbs.
- N'essayez pas de débrancher le régulateur de gaz et le tuyau ou tout autre raccord de gaz lorsque votre four à pizza est en fonctionnement.
- N'utilisez pas une bouteille de GPL dont le robinet est endommagé.
- La bouteille de GPL peut sembler vide, bien qu'il y ait encore du gaz, et la bouteille de GPL doit être transportée et entreposée avec précaution.
- Débranchez la bouteille lorsque l'appareil n'est pas utilisé.

## ⚠ AVERTISSEMENT

Pour votre sécurité, lorsque vous ne l'utilisez pas, retirez la bouteille et le détendeur. Bouchez le cylindre, le raccord d'insertion rapide.

## RELIANT 1 LB. CYLINDRE JETABLE

1. Assurez-vous que le bouton de commande est en position OFF.
2. Retirez le bouchon en plastique du haut de la bouteille de propane. Gardez le bouchon pour le stockage. Vissez la bouteille de propane dans le régulateur. Veillez à ne pas croiser les fils. Serrez à la main uniquement.
3. El regulador está equipado con una Conexión Rápida. Alinee el accesorio de conexión rápida con el regulador. Alinee le raccord du régulateur sur le corps de connexion rapide situé sur le côté du four Pizza. Tirez le raccord à ressort vers l'arrière, puis insérez-le fermement dans le raccord rapide et relâchez. L'insert du régulateur s'enclenche et se verrouille en place. **Effectuez un contrôle d'étanchéité au niveau de cette connexion.**
4. Ne faites jamais fonctionner le four avec la bouteille de propane à l'envers.



AD

- Toc
- de
- Est
- sur
- Sig
- Util
- par
- No
- est
- No
- El c
- ten
- Si v

• Des

## VERTENCIA

Las pruebas de fugas deben realizarse al aire libre, en una zona bien ventilada y lejos de fugas o eléctricos. Durante la prueba de fugas, manténgase alejado de llamas o chispas.

El aparato sólo utiliza gas LP (Licuado de Propano) y el conjunto regulador para el cilindro de 1 lb. que se suministra con su Horno de Pizza.

Lea las instrucciones de conexión del regulador.

Identifique el regulador de presión y el conjunto de mangueras que se suministran con su horno para el Cilindro de 1 lb. y modelo #: HZ-1007-25 para tanque de 20 libras.

No intente desconectar el regulador de gas y el conjunto de mangueras o cualquier accesorio de la unidad cuando esté en funcionamiento.

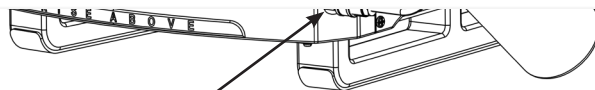
No utilice un cilindro de gas LP con una válvula dañada.

Un cilindro de LP puede parecer vacío, aunque todavía puede haber gas, y el cilindro de LP debe ser reemplazado teniendo eso en cuenta.

Si ve, huele o escucha el silbido del gas que se escapa del cilindro de LP:

1. Aléjese del cilindro de LP.
2. No intente solucionar el problema usted mismo.
3. Llame a su departamento de bomberos.

Desconecte la bombona cuando el aparato no esté en uso.



Contrôle des fuites

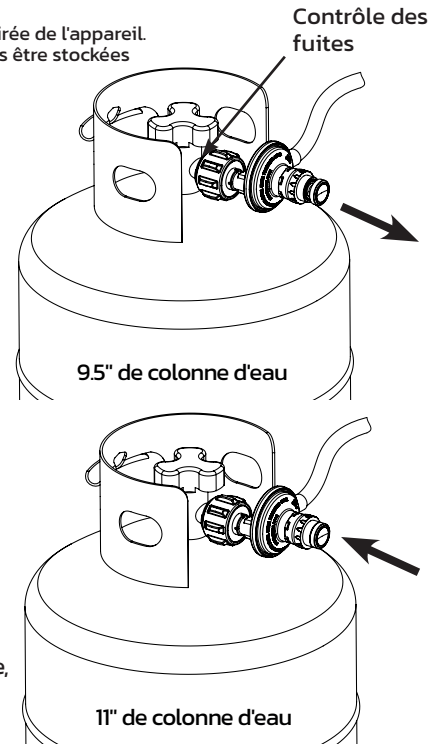
# CONNEXION 20 LBS. RÉSERVOIR

## TUYAU DE RACCORDEMENT + RÉGULATEUR RÉGLABLE 20 LBS. RÉSERVOIR

### NOTE:

- Le stockage d'un appareil à l'intérieur n'est autorisé que si la bouteille est déconnectée et retirée de l'appareil.
- Les bouteilles doivent être stockées à l'extérieur, hors de portée des enfants, et ne doivent pas être stockées dans un bâtiment, un garage ou tout autre endroit fermé.

1. Placez le réservoir LP sur une surface sûre, plane et stable.
2. Assurez-vous que la vanne du brûleur est en position d'arrêt.
3. Le réservoir LP doit être en position OFF. Dans le cas contraire, tournez la roue dans le sens des aiguilles d'une montre jusqu'à l'arrêt.
4. Retirez le capuchon de protection de la valve du réservoir de GPL. Utilisez toujours le bouchon et la sangle fournis avec la valve. **N'UTILISEZ PAS DE BOUCHON DE TRANSPORT POL** (pièce en plastique avec fil intérieur)! CELA ANNULE LE DISPOSITIF DE SÉCURITÉ DE LA VALVE.
5. Le tuyau et le régulateur sont équipés de Quick Connect. Alignez le raccord du régulateur sur le corps de connexion rapide situé sur le côté du four Pizza. Tirez vers l'arrière le raccord à ressort puis poussez fermement l'insert dans le corps du raccord rapide et relâchez. L'insert du régulateur s'enclenche et se verrouille en place.
6. Fixez l'ensemble du tuyau à la bouteille.
7. Ouvrez lentement le robinet de la bouteille.
8. Effectuez un contrôle de l'étanchéité des raccords du détendeur au four à pizza, du tuyau au détendeur et du tuyau à la bouteille avec de l'eau savonneuse. Les bulles indiquent une fuite. Vérifiez que le raccord n'est pas fileté en croix et qu'il est bien serré. Effectuez un autre contrôle d'étanchéité. S'il y a toujours une fuite, retirez la bouteille et contactez le fabricant pour un entretien et une réparation.



## FONCTION AJOUTÉE

Votre appareil est équipé d'un régulateur basse pression réglable. La pression de fonctionnement normale est de 11" de colonne d'eau et la pression de fonctionnement inférieure disponible est de 9.5" de colonne d'eau. Lorsque vous faites fonctionner votre appareil dans des conditions normales, il est préférable que le régulateur soit réglé sur la pression de 11 pouces de colonne d'eau. Si vous souhaitez cuisiner à des températures légèrement inférieures, réglez le régulateur sur la pression de 9.5 pouces de colonne d'eau. En fonction du réglage de la température sur lequel vous avez réglé le bouton de commande, vous déterminerez de combien les températures seront plus basses lorsque vous utiliserez le réglage de la pression inférieure. Veuillez consulter les instructions sur la façon de passer du réglage de la colonne d'eau de 11 pouces et de revenir en arrière.

## COMMENT RÉGLER LE RÉGLAGE DU RÉGULATEUR

- Tirez vers l'arrière le raccord à ressort pour libérer le bouchon du régulateur afin d'obtenir une colonne d'eau de 9.5 pouces.
- Tirez vers l'arrière le raccord à ressort, puis poussez fermement le bouchon du régulateur et relâchez. Le capuchon du régulateur s'enclenchera et se verrouillera en place pour réinitialiser le régulateur à 11 pouces de colonne d'eau.

## PROCÉDURE DE TEST D'ÉTANCHÉITÉ

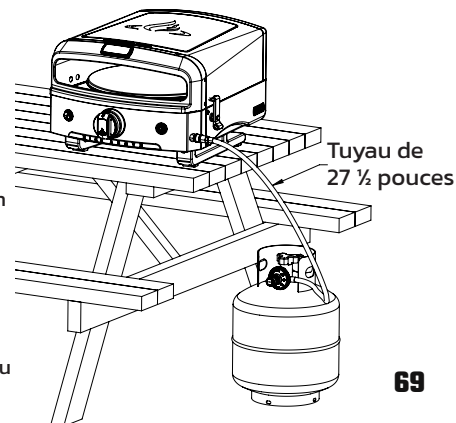
1. Fixez l'ensemble du tuyau au cylindre.
2. Ouvrez lentement le robinet de la bouteille.
3. Effectuez un contrôle de l'étanchéité des raccords du détendeur au four, du tuyau au détendeur et du tuyau à la bouteille avec de l'eau savonneuse. Des bulles indiquent une fuite. Vérifiez que le raccord n'est pas à filetage croisé et qu'il est bien serré.
4. Effectuez un autre contrôle d'étanchéité. Vérifiez le serrage de l'écrou d'accouplement. S'il y a toujours une fuite, retirez le cylindre et contactez le fabricant pour le service et la réparation.
5. Lorsque l'appareil n'est pas utilisé, fermez le bouton de commande et le robinet du réservoir de GPL sur la bouteille d'alimentation.
6. N'utilisez jamais une bouteille de GPL si elle est visiblement rouillée, endommagée ou périmée.
7. Si vous remarquez que de la graisse ou une autre matière chaude s'écoule de l'appareil sur la vanne, le tuyau ou le régulateur, coupez immédiatement l'alimentation en gaz. Déterminez la cause, corrigez, nettoyez et inspectez la vanne, le tuyau et le régulateur avant de continuer. Effectuez un test d'étanchéité.
8. Le régulateur peut émettre un bourdonnement ou un sifflement pendant son fonctionnement. Cela n'affecte pas la sécurité ou l'utilisation de l'appareil.
9. Nettoyez et inspectez le tuyau avant chaque utilisation de l'appareil. S'il y a des signes d'abrasion, d'usure, de coupures ou de fuites, le tuyau doit être remplacé avant la mise en service de l'appareil. Consultez l'étiquette du produit pour les informations sur le tuyau et le régulateur.
10. Ne bloquez pas les trous dans le fond ou les côtés de l'appareil.
11. Ne faites jamais fonctionner l'appareil si les réservoirs de GPL ne sont pas dans la position correcte spécifiée dans les instructions de montage.
12. Fermez toujours le robinet du réservoir de GPL et retirez l'écrou d'accouplement avant de déplacer le réservoir de GPL depuis la position de fonctionnement spécifiée.
13. Ne stockez JAMAIS un réservoir de GPL de rechange sous ou près de l'appareil ou dans une enceinte.
14. Si vous voyez, sentez ou entendez du gaz qui s'échappe, éloignez-vous immédiatement du réservoir de GPL/de l'appareil et appelez votre service d'incendie.
15. All spare LP tanks must have safety caps installed on the LP tank outlet.

### **⚠ AVERTISSEMENT**

1. Ne stockez pas de bouteille de gaz de pétrole liquéfié de rechange sous ou à proximité de cet appareil.
2. Ne remplissez jamais la bouteille au-delà de 80%.
3. Si les instructions de (1) et (2) ne sont pas suivies à la lettre, un incendie causant la mort ou des blessures graves peut se produire.

### **⚠ AVERTISSEMENT**

Risque de trébuchement sur le tuyau et la bouteille d'alimentation.



# INSTRUCTIONS D'ÉCLAIRAGE

## ALLUMER LE FOUR À PIZZA

1. Lisez les instructions avant d'allumer.
2. Poussez et tournez le bouton de commande dans le sens inverse des aiguilles d'une montre pour allumer/HI puis appuyez sur l'allumeur à gauche pour activer l'allumage.
3. Réglez la température au niveau souhaité.
4. Si l'allumage ne se produit pas, éteignez le gaz en tournant le bouton dans le sens des aiguilles d'une montre et répétez les instructions d'allumage.

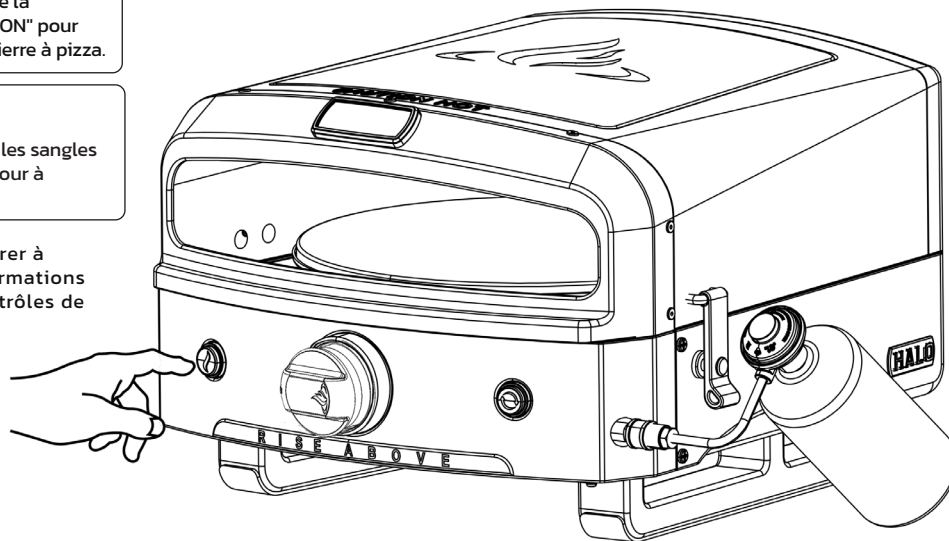
### AVERTISSEMENT

Ne faites pas fonctionner votre four à pizza sans que le plateau tournant de la pierre à pizza soit en position "ON" pour éviter tout dommage à votre pierre à pizza.

### AVERTISSEMENT

Le couvercle doit être fermé et les sangles verrouillées avant d'utiliser le four à pizza.

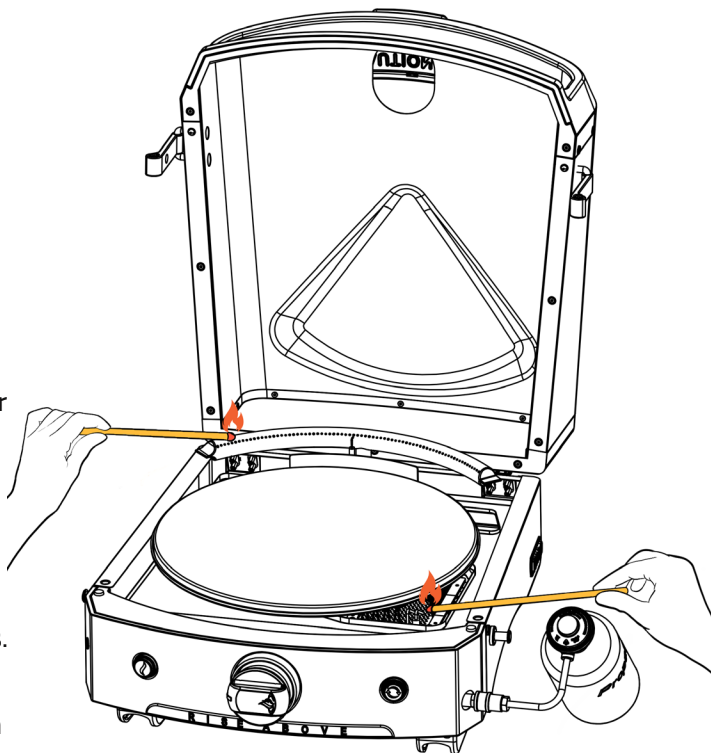
**REMARQUE:** Veuillez vous référer à notre site web pour des informations supplémentaires sur les contrôles de température.



## INSTRUCTIONS D'ALLUMAGE DES ALLUMETTES

**REMARQUE:** Si les brûleurs ne s'allument pas après plusieurs tentatives avec l'allumeur, ils peuvent être allumés avec une longue allumette.

1. Déverrouillez les loquets des deux côtés.
2. Ouvert sur le dessus.
3. Utilisez une allumette de 11 pouces de long, allumez l'allumette pour allumer le brûleur arrière et le brûleur infrarouge.
4. Poussez et tournez lentement le bouton de commande vers la position HIGH. Les brûleurs doivent s'allumer immédiatement. Assurez-vous que les brûleurs restent allumés.
5. Si le brûleur ne s'allume pas en quelques secondes, mettez le bouton de commande sur OFF, attendez cinq (5) minutes et réessayez.



# DÉPANNAGE

## LE BRÛLEUR NE S'ALLUME PAS AVEC L'ALLUMEUR ÉLECTRONIQUE

### CAUSE POSSIBLE:

- Régulateur défectueux.
- Obstructions dans le brûleur.
- Obstructions dans les jets de gaz ou le tuyau de gaz.
- L'électrode est endommagée/ allumeur défectueux.
- Bouteille LP vide.

### SOLUTION:

- Faites vérifier ou remplacer le régulateur.
- Nettoyez le brûleur.
- Nettoyez les jets et le tuyau de gaz.
- Changez l'électrode et le fil ou changez l'allumeur.
- Utilisez une nouvelle bouteille de PL.

## LE BRÛLEUR NE S'ALLUME PAS AVEC UNE ALLUMETTE

### CAUSE POSSIBLE:

- Régulateur défectueux.
- Obstructions dans les orifices de gaz ou le tuyau de gaz.
- Bouteille LP vide.

### SOLUTION:

- Faites vérifier ou remplacer le régulateur.
- Nettoyez le brûleur.
- Nettoyez les jets et le tuyau de gaz.
- Utilisez une nouvelle bouteille de PL.

## LE MODELE DE FLAMME DU BRÛLEUR EST ERRATIQUE

LA FLAMME EST FAIBLE LORSQUE LE BRÛLEUR EST SUR HI. LES FLAMMES NE S'ALLUMENT PAS SUR TOUTE LA LONGUEUR DU TUBE DU BRÛLEUR

### CAUSE POSSIBLE:

- Obstructions dans le brûleur.

### SOLUTION:

- Nettoyez le venturi du brûleur.



## LE FEU DANS LE TUBE DU BRÛLEUR A UNE FLAMME FAIBLE OU UN RETOUR DE FLAMME

(UN SIFFLEMENT OU UN GRONDEMENT PEUT ÊTRE ENTENDU).

### CAUSE POSSIBLE:

- Obstructions dans le brûleur.
- Obstructions dans les jets de gaz ou le tuyau de gaz.
- Conditions venteuses.

### SOLUTION:

- Nettoyez le brûleur.
- Nettoyez les jets et le tuyau de gaz.
- Utilisez le gril dans une position plus abritée.

## LE BRÛLEUR NE S'ALLUME PAS OU LA FLAMME EST FAIBLE DANS LA POSITION HI

### CAUSE POSSIBLE:

- Régulateur défectueux.
- Obstructions dans les jets de gaz ou le tuyau de gaz.
- Bouteille LP vide.

### SOLUTION:

- Faites vérifier ou remplacer le régulateur.
- Nettoyez le venturi du brûleur.
- Nettoyez l'orifice et vérifiez le tuyau de gaz.
- Utilisez une nouvelle bouteille de PL.

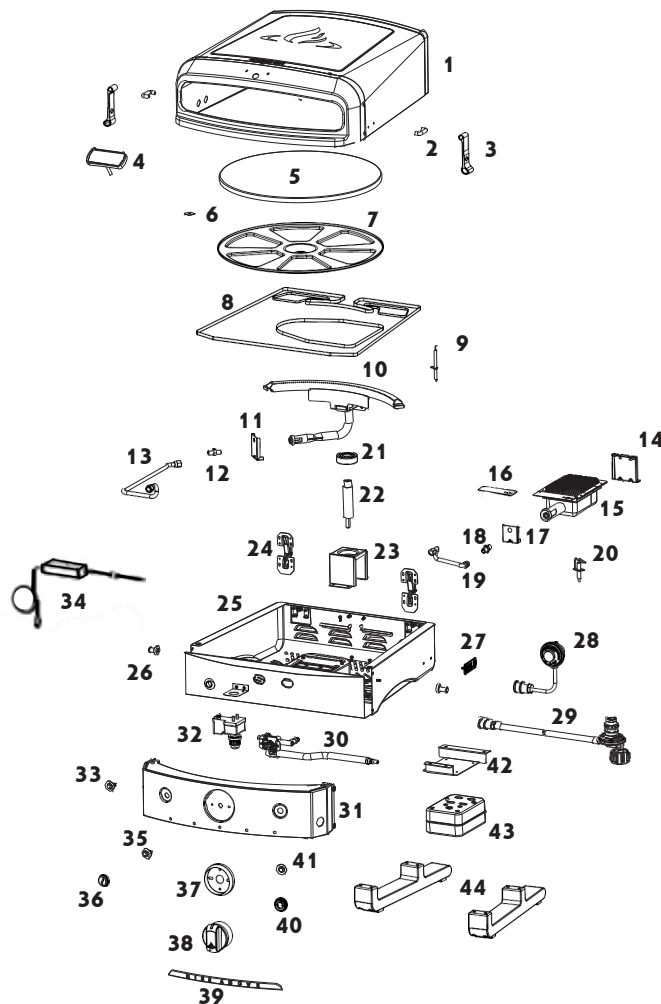
## DÉPANNAGE DU MOTEUR DE LA RÔTISSOIRE

### VOUS RENCONTREZ DES PROBLÈMES ?

S'il manque des pièces ou si le moteur ne fonctionne pas:

Appelez le service à la clientèle au 1-833-572-1688.

# LISTE DES PIÈCES DE LA VERSA 16



<b>ARTICLE</b>	<b>DESCRIPTION DE LA PIÈCE</b>	<b>PIÈCE NO.</b>
1	Assemblage du dessus du four	HZ-1004-01
2	Support de loquet de couvercle	HZ-1004-02
3	Couvercle-Latche	HZ-1004-03
4	Indicateur de chaleur (thermomètre)	HZ-1004-04
5	Pierre à pizza	HZ-1004-05
6	Rondelle de montage pour plateau à pizza	HZ-1004-06
7	Plateau-Pierre à pizza	HZ-1004-07
8	Plateau de nettoyage	HZ-1004-08
9	Assemblage d'électrodes - brûleur arrière	HZ-1004-09
10	Assemblage du brûleur arrière	HZ-1004-10
11	Support de l'orifice - brûleur arrière	HZ-1004-11
12	Orifice - brûleur arrière	HZ-1004-12
13	Conduite de gaz (ondulée)- Brûleur arrière	HZ-1004-13
14	Support- Support brûleur infrarouge	HZ-1004-14
15	Brûleur à infrarouge	HZ-1004-15
16	Support - électrode de brûleur infrarouge	HZ-1004-16
17	Support-Orifice-brûleur infrarouge	HZ-1004-17
18	Orifice - Brûleur à infrarouge	HZ-1004-18
19	Ligne de gaz (ondulée) - brûleur infrarouge	HZ-1004-19
20	Assemblage d'électrodes - brûleur infrarouge	HZ-1004-20
21	Table de rotation des paliers	HZ-1004-21
22	Table de rotation du moteur de l'arbre	HZ-1004-22
23	Bloc de roulements - Table tournante	HZ-1004-23
24	Charnières - Supports pour dessus de pizza	HZ-1004-24
25	Assemblage du fond du four	HZ-1004-25

# LISTE DES PIÈCES DE LA **VERSA 16**

ARTICLE	DESCRIPTION DE LA PIÈCE	PIÈCE NO.
26	Verrouillage du couvercle à goupille	HZ-1004-26
27	Plaque avec logo Halo Sizzle	HZ-1004-27
28	Régulateur - cylindre de 1 lb.	HZ-1004-28
29	Régulateur - réservoir de 20 lbs.	HZ-1007-25
30	Ensemble vanne et collecteur	HZ-1004-30
31	Panneau de contrôle	HZ-1004-31
32	Module d'allumage électronique	HZ-1004-32
33	Prise d'alimentation A/C/110-120 Volts	HZ-1004-33
34	Adaptateur AC/DC	HZ-1004-34
35	Interrupteur d'allumage	HZ-1004-35
36	Bouton d'allumage	HZ-1004-36
37	Bouton de commande Lunette - Commun	HZ-1004-37
38	Bouton de commande-Commun	HZ-1004-38
39	Logo RISE ABOVE	HZ-1004-39
40	Table de commutation-tour de démarrage en caoutchouc	HZ-1004-40
41	Commutateur ON/OFF-tableau tournant	HZ-1004-41
42	Support -Montage du moteur	HZ-1004-42
43	Moteur	HZ-1004-43
44	Jambe commune R/L	HZ-1004-44
	<b>PAS SUR L'IMAGE</b>	
45	Fil d'allumage - brûleur arrière - long	HZ-1004-45
46	Fil d'allumage - Brûleur infrarouge - Court-circuit	HZ-1004-46
47	Manuel du propriétaire	HZ-1004-47
48	Pack matériel	HZ-1004-48

# GARANTIE LIMITÉE DE CINQ (5) ANS

Cette garantie ne s'applique qu'aux appareils achetés chez un détaillant agréé. Le fabricant garantit à l'acheteur original que ce produit est exempt de défauts de fabrication et de matériaux après un assemblage correct et dans le cadre d'une utilisation domestique normale et raisonnable pendant les périodes indiquées ci-dessous, à compter de la date d'achat.

ÉTENDUE DE LA COUVERTURE	PÉRIODE DE COUVERTURE	TYPE DE COUVERTURE DE LA DÉFAILLANCE
Boîtier à feu de cuisson et tous les composants non couverts ci-dessous	5 ans	UNIQUEMENT LES DÉFAUTS DE PERFORATION, DE FABRICATION ET DE MATÉRIAUX
Brûleurs, pierre à pizza et plateau, bouton de commande	5 ans	
Composants électriques	1 an	
Peinture	1 an	

Le fabricant se réserve le droit d'exiger que les pièces défectueuses soient retournées, port et/ou fret prépayés par le consommateur, pour examen et vérification.

Veuillez conserver une copie de votre preuve d'achat pour valider votre garantie. Il peut vous être demandé d'envoyer une copie de votre reçu pour confirmer toute demande de garantie.

Le consommateur-acheteur d'origine sera responsable de tous les frais d'expédition des pièces remplacées dans le cadre de cette garantie limitée. Cette garantie limitée ne s'applique qu'aux États-Unis et au Canada, n'est valable que pour le propriétaire initial du produit et n'est pas transférable. Le fabricant exige une preuve de votre date d'achat. Vous devez donc conserver votre ticket de caisse ou votre facture. L'enregistrement de votre produit ne remplace pas la preuve d'achat et le fabricant n'est pas responsable ni tenu de conserver les preuves d'achat. Cette garantie limitée s'applique UNIQUEMENT à la fonctionnalité du produit et ne couvre pas les problèmes esthétiques tels que les rayures, les bosses, les corrosions ou les décolorations dues à la chaleur, aux nettoyants abrasifs et chimiques ou à tout outil utilisé pour l'assemblage ou l'installation de l'appareil, la rouille de surface ou la décoloration des surfaces en acier inoxydable. La peinture n'est pas garantie et devra être retouchée. La rouille n'est pas considérée comme un défaut de fabrication ou de matériel.

**La présente garantie limitée ne vous remboursera pas le coût des inconforts, des aliments, des blessures corporelles ou des dommages matériels.**

# GARANTIE LIMITÉE DE CINQ (5) ANS

## ARTICLES POUR LESQUELS LE FABRICANT NE PAIERA PAS

1. Frais d'expédition, standard ou accéléré, pour la garantie et les pièces de rechange.
2. Appels de service à votre domicile.
3. Les réparations lorsque votre produit est utilisé à des fins autres que l'usage normal, domestique ou résidentiel d'une seule famille.
4. Les dommages, les défaillances ou les difficultés de fonctionnement résultant d'un accident, d'une modification, d'une manipulation négligente, d'une mauvaise utilisation, d'un incendie, d'une inondation, d'une installation ou d'un entretien inadéquat, d'une installation non conforme aux codes de l'électricité ou de la plomberie, ou de l'utilisation de produits non approuvés par le fabricant.
5. Toute perte de nourriture due à des défaillances du produit ou à des difficultés de fonctionnement.
6. Les pièces de rechange ou le coût de la main-d'œuvre pour les unités utilisées en dehors des États-Unis ou du Canada.
7. Enlèvement et livraison de votre produit.
8. Les réparations de pièces ou de systèmes résultant de modifications non autorisées apportées au produit.
9. Le retrait et/ou la réinstallation de votre produit.

## EXCLUSION DES GARANTIES IMPLICITES ET LIMITATION DES RECOURS

La réparation ou le remplacement des pièces défectueuses est votre seul recours selon les termes de cette garantie limitée. En cas de problèmes de disponibilité des pièces, le fabricant se réserve le droit de substituer des pièces similaires ou de même fonction. Le fabricant ne peut être tenu responsable de tout dommage indirect ou accessoire résultant de la violation de la présente garantie limitée ou de toute garantie implicite applicable, ou de toute défaillance ou tout dommage résultant d'une catastrophe naturelle, d'un entretien inadéquat, d'un incendie de graisse, d'un accident, d'une modification, du remplacement de pièces par une personne autre que le fabricant, d'une mauvaise utilisation, du transport, d'une utilisation commerciale, d'un abus, d'un environnement hostile (intempéries, catastrophes naturelles, altération par des animaux), d'une installation inadéquate ou non conforme aux codes locaux ou aux instructions imprimées du fabricant.

**5 YEAR**  
LIMITED  
**WARRANTY**

**CETTE GARANTIE LIMITÉE EST LA SEULE GARANTIE EXPRESSE DONNÉE PAR LE FABRICANT. AUCUNE SPÉCIFICATION OU DESCRIPTION DES PERFORMANCES DU PRODUIT, OÙ QU'ELLE APPARAISSE, N'EST GARANTIE PAR LE FABRICANT, SAUF DANS LA MESURE PRÉVUE PAR LA PRÉSENTE GARANTIE LIMITÉE. TOUTE PROTECTION DE GARANTIE IMPLICITE DÉCOULANT DES LOIS DE TOUT ÉTAT, Y COMPRIS LA GARANTIE IMPLICITE DE QUALITÉ MARCHANDE OU D'ADÉQUATION À UN USAGE PARTICULIER, EST LIMITÉE PAR LA PRÉSENTE À LA DURÉE DE LA PRÉSENTE GARANTIE LIMITÉE.**

La responsabilité maximale du fabricant, dans tous les cas, ne dépassera pas le prix d'achat du produit payé par le consommateur initial. REMARQUE : Certains États n'autorisent pas l'exclusion ou la limitation des dommages accessoires ou indirects, de sorte que certaines des limitations ou exclusions ci-dessus peuvent ne pas s'appliquer à vous. Cette garantie limitée vous confère des droits légaux spécifiques tels qu'énoncés dans le présent document. Vous pouvez également avoir d'autres droits qui varient d'un État à l'autre. Dans l'État de Californie uniquement, si la remise en état ou le remplacement du produit n'est pas commercialement réalisable, le détaillant qui vend ce produit ou le fabricant remboursera le prix d'achat payé pour le produit, moins le montant directement attribuable à l'utilisation par le consommateur-acheteur initial avant la découverte de la non-conformité. En outre, dans l'État de Californie uniquement, vous pouvez apporter le produit à l'établissement de vente au détail qui vend ce produit afin d'obtenir des performances dans le cadre de cette garantie limitée. Si vous souhaitez obtenir l'exécution d'une quelconque obligation au titre de la présente garantie limitée, vous devez vous adresser à l'adresse suivante:

**Halo Products Group LLC 850 West Park Rd Elizabethtown KY, 42701**

Les retours de consommateurs ne seront pas acceptés à moins qu'une autorisation de retour valide ne soit obtenue au préalable. Les retours autorisés sont clairement marqués à l'extérieur du colis avec un numéro RA et le colis est expédié en port payé. Les retours des consommateurs qui ne respectent pas ces normes seront refusés.

## **SERVICE À LA CLIENTÈLE**

Pour toute question concernant votre produit, ou si vous avez besoin de pièces de rechange, contactez-nous à l'adresse suivante:

**Sans frais: 1-833-572-1688** ou

Visitez-nous en ligne à l'adresse **[www.halo-pg.com](http://www.halo-pg.com)**

**STAY CONNECTED WITH US!**



**SCAN TO REGISTER  
YOUR PRODUCT**



**HALO**

RISE ABOVE

-  HALO Products Group
-  @haloproductsgroup
-  @haloproductsgroup
-  Halo Products Group

© 2021 Halo Products Group LLC

Halo and the Halo flame are registered trademarks of Halo Products Group LLC

[www.halo-pg.com](http://www.halo-pg.com)

Halo Products Group LLC

850 West Park Rd

Elizabethtown KY 42701

Toll free: 1-833-572-1688