

The Extraordinaire™

OF110 Series



SPECIFICATION SHEET

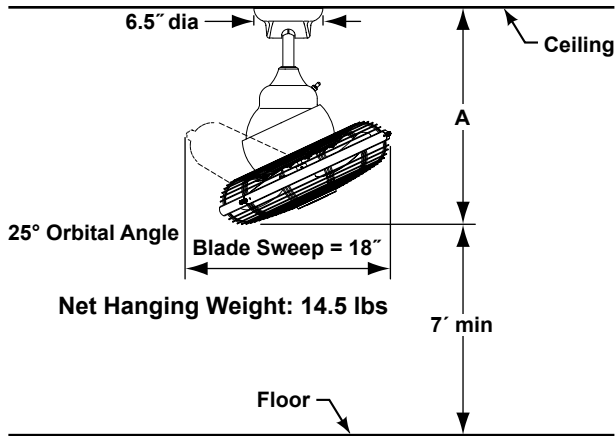


celebrating 25 years

Product Specifications Subject To Change

EXTRAORDINAIRE®

OF110** Orbital Ceiling Fan



	A
Fan w/6" downrod	20.75"
Fan w/12" downrod	26.75"
Fan w/18" downrod	32.75"
Fan w/24" downrod	38.75"
Fan w/36" downrod	50.75"
Fan w/48" downrod	62.75"
Fan w/60" downrod	74.75"
Fan w/72" downrod	86.75"

Available Finish	
OB	Oil-rubbed bronze (Damp)
PW	Pewter
SN	Satin nickel (Damp)

INSTALLATION REQUIREMENTS:

Fan must be attached to a securely anchored electrical junction box capable of withstanding a load of at least 50 lbs.

ELECTRICAL REQUIREMENTS:

Requires a grounded electrical supply line of 120 volts AC, 60 Hz, 15 amp circuit.

MOTOR SPECS:

82 x 25 motor is designed for optimal performance with this fan. 220 VAC, 50 Hz export version available.

FAN SPEEDS:

3 forward, non-reversing, fan speeds with rotary switch (on top of motor).
High—1,270 rpm; Med—1,050 rpm; Low—725 rpm

CONTROL OPTIONS:

CW110 3-speed fan-only wall control is included. Optional RC110 3-speed remote control with canopy-style receiver unit is available—sold separately. Instructions are provided with each control.

DOWNROD OPTIONS:

Fan comes with a 1" dia. x 6" long downrod (DR1-6). Optional downrods available in 12", 18", 24", 36", 48", 60" and 72" lengths. A downrod coupler is available for installations requiring a downrod longer than 72". Fan can be mounted on a sloped ceiling up to 50°. Most sloped ceiling installations require a downrod longer than the standard 6" downrod. Call technical support for more information.

LOCATION USE:

Oil-rubbed bronze and satin nickel finishes rated for dry and damp locations.
Pewter finish fan is rated for dry locations only.



celebrating 25 years

**10983 Bennett Parkway
Zionsville, IN 46077**

Toll Free (888) 567-2055

FAX (866) 482-5215

Outside U.S. call (317) 733-4113

Visit Our Website @ www.fanimation.com

*Copyright 2010 Fanimation, Inc.
All Rights Reserved*



2010/01