

FAB32UWHLN

50's Retro style

50'S Retro Style refrigerator with automatic freezer, White, Left hand hinge

EAN13: 8017709219390

Frost-free

2 adjustable thermostats

Refrigerator

8.2 cu. ft. capacity

Interior light

3 adjustable glass shelves

1 fruit and vegetable container

1 bottle storage shelf

Door

3 adjustable balconies

1 balcony shelf with transparent cover

Egg holder

Freezer

3.5 cu. ft. capacity

2 drawers

1 compartment with pull-down flap

Fast-freezing compartment

Ice tray

Dimensions (h x w x d) 75 17/20" x 23 2/3" x 26 2/3"



Versions

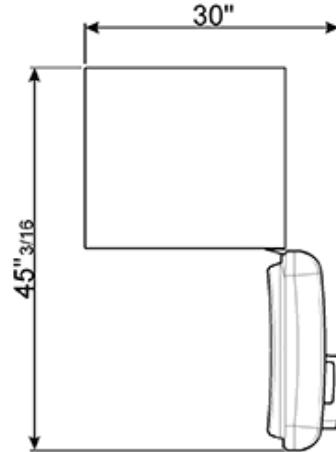
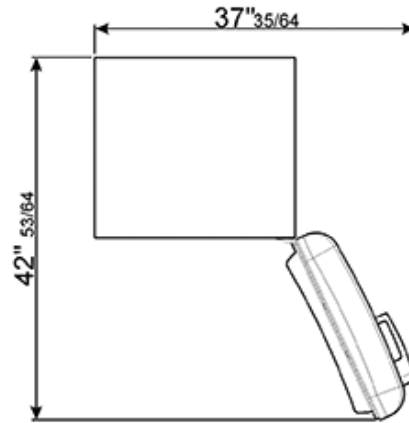
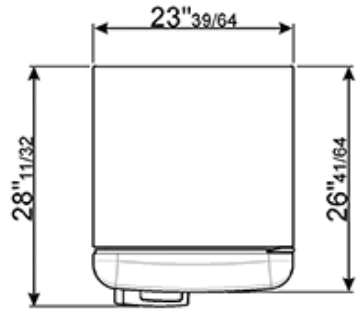
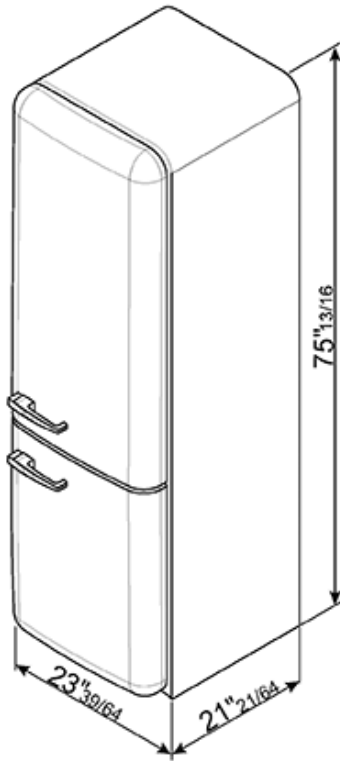
- **FAB32UWHRN** - White, right hand hinge



FAB32UWHLN

50's Retro style

fridge
free standing
combined
white
24"



SMEG U.S.A. INC.
A&D BUILDING
150 EAST 58th STREET, 7th FLOOR
NEW YORK, NY, 10155
Tel. +1 212 265 5378
Fax +1 212 265 5945