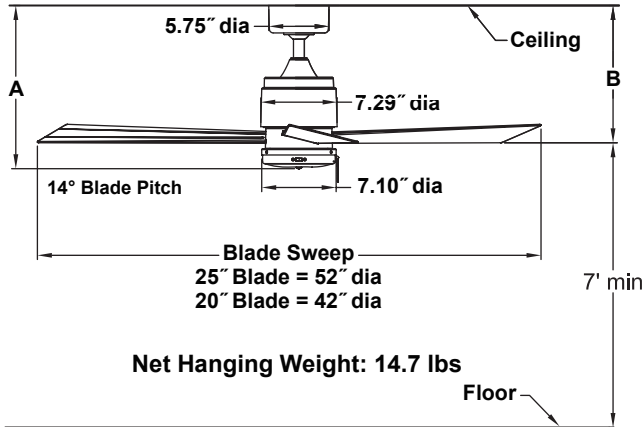


ZONIX™

FP4640** 52" Wet Location Fan



	A	B
Fan w/ 4.5" downrod	15.57"	13.09"
Fan w/12" downrod	21.57"	20.59"
Fan w/18" downrod	27.57"	26.59"
Fan w/24" downrod	33.57"	32.59"
Fan w/36" downrod	45.57"	44.59"
Fan w/48" downrod	57.57"	56.59"
Fan w/60" downrod	69.57"	68.59"
Fan w/72" downrod	81.57"	80.59"

Available Finishes		
Fan / Housing Assembly	Blades	
OB	Oil-rubbed Bronze	Cherry
SN	Satin Nickel	Satin Nickel
WH	White	White

INSTALLATION REQUIREMENTS:

Fan must be attached to a securely anchored electrical junction box capable of withstanding a load of at least 50 lbs.

ELECTRICAL REQUIREMENTS:

Requires a grounded electrical supply line of 120 volts AC, 60 Hz, 15 amp circuit.

MOTOR SPECS:

153 x 18 motor is designed for optimal performance with this fan.

Airflow / Energy Efficiency Info (120V)					
Fan Speed	Max RPM	CFM	CFM / Watts	Amps	Watts
High	173	5432	96	0.47	57
Med	105	3409	154	0.30	22
Low	60	1930	222	0.18	9

BLADES:

A set of three 25" all-weather composite blade set included. Optional sets of three 20" composite blades are available in cherry (BPW4442CY) and walnut (BPW4442WA) finishes—sold separately.

CONTROL OPTIONS:

Optional CW1, CW1SW, CW2, CW5 and CWRL4 wall controls and CRL4WH and CRL8TS remote controls (with receiver units) are available—sold separately. Instructions are provided with each control.

LIGHTING OPTIONS:

Optional lighting fitters and light kits are available. See our catalog or visit www.fanimation.com for available lighting options.

DOWNROD OPTIONS:

Fan comes with a 1" dia. x 4.5" long downrod (DR1-45). Optional downrods available in 12", 18", 24", 36", 48", 60" and 72" lengths. Fan can be mounted on a sloped ceiling up to 30°. Most sloped ceiling installations require a downrod longer than the standard 6" downrod. Optional sloped ceiling ball kits (SCB1-52) are available for slope angles greater than 30° and up to 52°. Optional close-to-ceiling kit is available as well—sold separately. Call technical support for more information.

LOCATION USE:

Fan is rated for dry, damp and wet locations.