

Product Description

Trim Kits

- 4-piece decorative trim made of high quality steel
- Clean tight fit, covers drywall opening
- Trim attaches onto firebox easily and securely – no tools required
- Horizontal and vertical pieces interlock for a precise strong fit
- Available in black and stainless steel for BF33, BF39 and BF45 fireboxes

Door Kits

- Glass door kit features bi-fold look
- Tamperproof, single pane glass door kit
- Swing door kit features opening doors for a classic fireplace look and feel



BF45DXP Purifire firebox with stainless steel trim kit (BF4TRIM45SS) and bi-fold look glass door kit (BFD00R45BLKSM).

Specifications

Model	Description	Weight (lb/kg)
4-Piece Decorative Surround Trim Kits		
BF4TRIM33	Black trim for 33" firebox	5 / 2.3
BF4TRIM39	Black trim for 39" firebox	6 / 2.7
BF4TRIM45	Black trim for 45" firebox	7 / 3.2
BF4TRIM33SS	Stainless steel trim for 33" firebox	5 / 2.3
BF4TRIM39SS	Stainless steel trim for 39" firebox	6 / 2.7
BF4TRIM45SS	Stainless steel trim for 45" firebox	7 / 3.2

Glass Door Kits

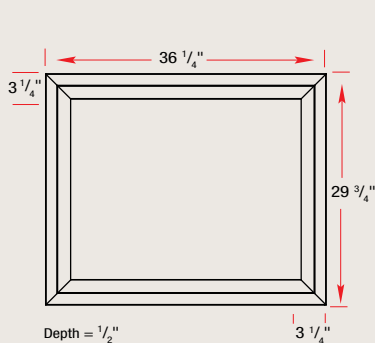
BFD00R33BLKSM	Single pane, bi-fold look glass door with black accents for 33" firebox	12 / 5.4
BFD00R39BLKSM	Single pane, bi-fold look glass door with black accents for 39" firebox	18 / 8.2
BFD00R45BLKSM	Single pane, bi-fold look glass door with black accents for 45" firebox	21 / 9.5
BFGLASS33BLK	Single pane, tamperproof glass door for 33" firebox	12 / 5.4
BFGLASS39BLK	Single pane, tamperproof glass door for 39" firebox	17.5 / 7.9

Swing Door Kits

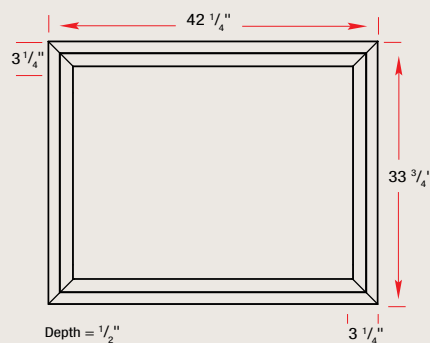
BFSD00R33BLK	Glass swing doors with black accents for 33" firebox	17 / 7.7
BFSD00R39BLK	Glass swing doors with black accents for 39" firebox	18 / 8.2



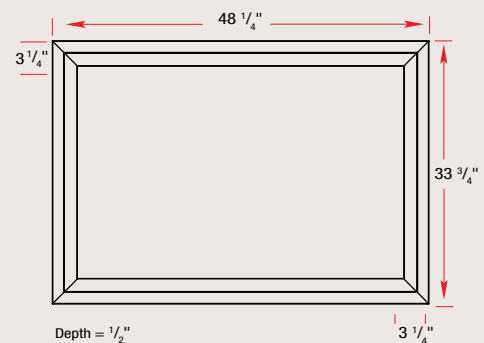
Trim Dimensions for 33"



Trim Dimensions for 39"



Trim Dimensions for 45"



Protected by one or more of the following patents: U.S. Patents: 6,050,011, 6,269,567, 6,190,019, 6,564,485, 5,642,580, 6,615,519, 6,363,636, 6,047,489, 6,718,665, 6,350,498, 6,162,047, 6,385,881, 7,134,229, D514,677, 7,162,820, 7,194,830, 7,457,533, 7,373,743. Canadian Patents: 2,175,442, 2,310,367, 2,310,073, 2,204,106, 2,310,362, 2,310,414, 2,262,338, 2,321,716, 2,299,927, 105175, 2,357,182, 2,379,252. Other patents pending.