



PERLICK®



G5 LUXE 24" DUAL ZONE BEVERAGE CENTER

Crafted with over a century of premier commercial refrigeration expertise, the Perlick G5 collection brings the most innovative refrigeration available into the home—empowering hosts to serve effortlessly, whether for one guest or many.

Job:
Area:
Item #:
Model #:



G5BZ24GL



G5BZ24SL



| MODEL NUMBER | MANUFACTURER ITEM NUMBER | DESCRIPTION |
|--------------|--------------------------|--|
| G5BZ24SL | URS24C21-5-SREO | 24" DUAL ZONE BEVERAGE CENTER, SOLID DOOR, HINGE RIGHT |
| G5BZ24GL | URS24C41-5-SREO | 24" DUAL ZONE BEVERAGE CENTER, GLASS DOOR, HINGE RIGHT |

G5 Luxe Collection Feature-Benefits

- **High-Performance Cooling:** Perlick's fastest cool-down speed yet, powered by Perlick's exclusive RAPIDcool™ technology chills every beverage quickly and evenly throughout the cabinet
- **Seamless, Beautiful Design:** Sleek cabinet profile and fully concealed, soft-closing hinges integrate effortlessly into surrounding cabinetry
- **Commercial-Grade:** Industry-exclusive 300-series stainless steel interiors and exteriors provide corrosion-resistance and durability
- **Trusted Performance:** Certified for indoor and outdoor use, delivering consistent performance in kitchens, patios, or rooftop terraces
- **Smart Technology:** Adapts to your usage and environment for frost-free, consistent cooling, while continuously monitoring unit health for easy troubleshooting and fast remote support
- **Industry's Best Warranty:** 6 years parts and labor, plus a 30-day initial aesthetics parts and labor warranty
- **Quick-Cool Mode:** Chills beverages up to 20% faster for on-demand cooling
- **Intuitive Touchscreen Controls:** Sleek, modern interface with temperature, lighting, and diagnostics on an easy-to-use interface
- **Total Color Control™ LED Lighting:** 20 curated settings, including four distinct white tones, to create any desired aesthetic
- **Signature Legacy Handle:** Premium knurled stainless grip with cast end caps embossed with the Perlick emblem
- **Ultra-Quiet Performance:** Powered by Perlick-exclusive variable speed technology, delivering quiet operation without compromising cooling power
- **Triple-Pane Glass Doors:** Low-E, argon-filled, UV-resistant glass reduces energy transfer and strengthens durability
- **Perlick Anti-Condensation System™:** Prevents condensation from forming on the exterior of the cabinet
- **Easy Installation:** Patent-pending front-access leveling legs allow quick adjustments without tipping the unit
- **Better For The Environment Refrigerant:** This product uses R600a refrigerant which has zero ODP and very low GWP
- **Exclusively Perlick:** Exclusively designed, engineered and manufactured by Perlick
- Sabbath Mode-Star K certified that allows equipment to operate in accordance with Halacha, Shabbat, and Jewish Holidays

G5 Luxe Dual Zone Wine And Beverage Center Feature-Benefits

- Preserve the character of fine wines while keeping other beverages perfectly chilled, with two independently controlled zones designed to elevate every entertaining experience
- Store wine bottles horizontally on top half of unit with full-extension, all stainless shelving storage below, perfect for bottles and cans of all sizes
- Upper Zone - Wine: 40°F (4.4°C) - 68°F (20°C), Factory Set Point 55°F (12.8°C)
- Lower Zone - Refrigerator: 33°F (0.6°C) - 42°F (5.6°C), Factory Set Point 38°F (3.3°C)



800.558.5592

perlick.com



PERLICK®



RESIDENTIAL



G5 LUXE 24" DUAL ZONE BEVERAGE CENTER

| MODEL NUMBERS | | G5BZ24SL, G5BZ24GL |
|-----------------------------------|----------------------------|--|
| MODEL DESCRIPTION | | DUAL ZONE BEVERAGE CENTER |
| OVERALL DIMENSIONS | Width - in. (mm) | 23 7/8" (606) |
| | Depth - in. (mm) | 22 1/2" (572) |
| | Height - in. (mm) | 34 5/16" (872) |
| OPENING DIMENSIONS | Width - in. (mm) | 24" (610) |
| | Depth - in. (mm) | 24" (610) |
| | Height - in. (mm) | 34 1/2" (876) |
| INTERNAL VOLUME Net. Cu. Ft. (L). | | 4.7 (133) |
| SHIPPING WEIGHT Lbs. (kg). | | 220 (100) |
| EQUIPMENT WEIGHT Lbs. (kg). | | 182 (82) |
| ELECTRICAL SPECIFICATIONS | Electrical Supply | 115VAC/60 Hz/1 Ph |
| | Running Load Amps | 1.9 |
| | Electrical Connection | Cord connected |
| | Cord Plug Type | NEMA 3 Prong 5-15P |
| | Cord Length | 6' |
| | Defrost Initiation | Automatic |
| | Defrost Type | Off cycle |
| | Thermostat | Digital |
| | Lighting Type | LED |
| REFRIGERATION SPECIFICATIONS | Refrigerant | R600a (45g) |
| | Expansion Device | Capillary Tube |
| | Temperature Settings F (C) | Upper Zone - Wine: 40°F (4.4°C) - 68°F (20°C) Factory Set Point 55°F (12.8°C) Lower Zone - Refrigerator: 33°F (0.6°C) - 42°F (5.6°C) Factory Set Point 38°F (3.3°C) |
| | Heat Rejection (at 75°F) | 450 BTU/hr |
| | Front Vented | Yes |

Perlick accessories are available for purchase through an authorized Perlick dealer. For a full list of accessories and to find a dealer near you, visit perlick.com



800.558.5592

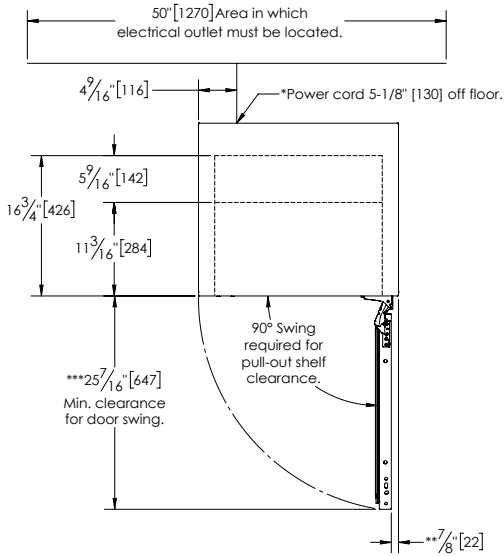
perlick.com



PERLICK®



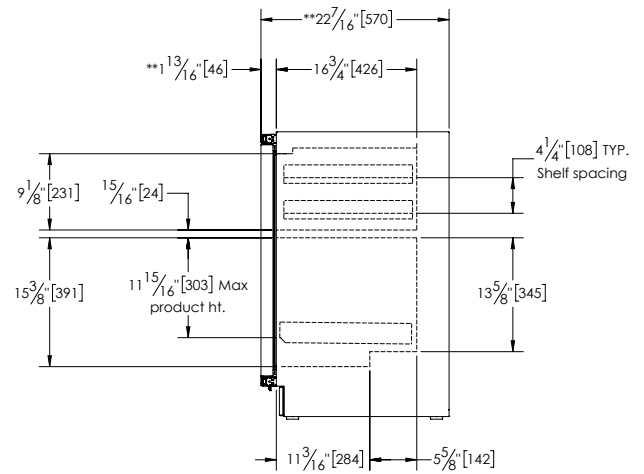
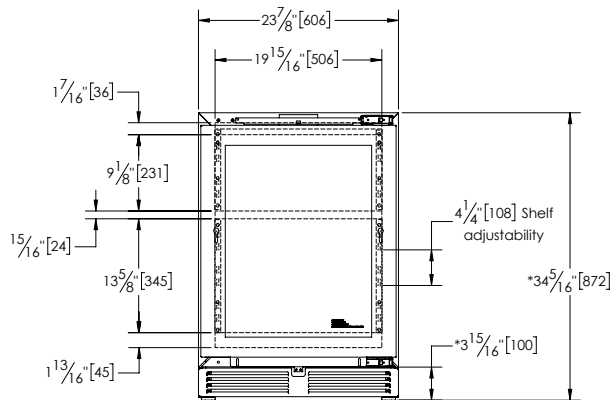
G5 LUXE 24" DUAL ZONE BEVERAGE CENTER



*-Leg levelers can add 3/4" [19] to these dimensions when fully extended.

**-Overlay will add additional 3/4" [19] to overall depth. In addition, overall depth will change depending on handle selected.

***-Minimum clearance for door swing is shown without door overlay installed



800.558.5592

perlick.com