



PERLICK®



G5 LUXE 24" DUAL ZONE REF/FREEZER DRAWERS

Crafted with over a century of premier commercial refrigeration expertise, the Perlick G5 collection brings the most innovative refrigeration available into the home—empowering hosts to serve effortlessly, whether for one guest or many.

Job:
Area:
Item #:
Model #:



G5DZ24SL



MODEL NUMBER	ITEM NUMBER	DESCRIPTION
G5DZ24SL	URS24Z61-5-SD00	24" DUAL ZONE REFRIGERATOR/FREEZER, DRAWERS

G5 Luxe Collection Feature-Benefits

- **High-Performance Cooling:** Perlick's fastest cool-down speed yet, powered by Perlick's exclusive RAPIDcool™ technology chills every beverage quickly and evenly throughout the cabinet
- **Seamless, Beautiful Design:** Sleek cabinet profile with self-close drawers, integrate effortlessly into surrounding cabinetry
- **Commercial-Grade:** Industry-exclusive 300-series stainless steel interiors and exteriors provide corrosion-resistance and durability
- **Trusted Performance:** Certified for indoor and outdoor use, delivering consistent performance in kitchens, patios, or rooftop terraces
- **Smart Technology:** Adapts to your usage and environment for frost-free, consistent cooling, while continuously monitoring unit health for easy troubleshooting and fast remote support
- **Industry's Best Warranty:** 6 years parts and labor, plus a 30-day initial aesthetics parts and labor warranty
- **Quick-Cool Mode:** Chills beverages up to 20% faster for on-demand cooling
- **Intuitive Touchscreen Controls:** Sleek, modern interface with temperature, lighting, and diagnostics on an easy-to-use interface
- **Signature Legacy Handle:** Premium knurled stainless grip with cast end caps embossed with the Perlick emblem
- **Ultra-Quiet Performance:** Powered by Perlick-exclusive variable speed technology, G5 delivers up to 55% quieter operation than previous generations—our quietest performance yet.
- **Perlick Anti-Condensation System™:** Prevents condensation from forming on the exterior of the cabinet
- **Easy Installation:** Patent-pending front-access leveling legs allow quick adjustments without tipping the unit
- **Better For The Environment Refrigerant:** This product uses R600a refrigerant which has zero ODP and very low GWP
- **Exclusively Perlick:** Exclusively designed, engineered and manufactured by Perlick
- **Sabbath Mode-Star K certified** that allows equipment to operate in accordance with Halacha, Shabbat, and Jewish Holidays

G5 Luxe Dual Zone Refrigerator/Freezer Drawers Feature-Benefits

- Perfect for storing refrigerated food and beverage in the upper drawer, while chilling glassware, storing large-format ice, and keeping frozen foods organized in the lower drawer
- Upper Zone - Refrigerator: 34° (1.1°) - 42° (5.6°) Factory Set Point 38° (3.3°)
- Lower Zone - Freezer: -10° (-23.3°) - 10° (-12.2°) Factory Set Point 0° (-17.8°)



800.558.5592

perlick.com



PERLICK®



G5 LUXE 24" DUAL ZONE REF/FREEZER DRAWERS



MODEL NUMBERS		G5DZ24SL
MODEL DESCRIPTION		DUAL ZONE REFRIGERATOR FREEZER DRAWERS
OVERALL DIMENSIONS	Width - in. (mm)	23 7/8" (606)
	Depth - in. (mm)	22 1/2" (572)
	Height - in. (mm)	34 5/16" (872)
OPENING DIMENSIONS	Width - in. (mm)	24" (610)
	Depth - in. (mm)	24" (610)
	Height - in. (mm)	34 1/2" (876)
INTERNAL VOLUME Net. Cu. Ft. (L).		4.0 (112)
SHIPPING WEIGHT Lbs. (kg).		218 (99)
EQUIPMENT WEIGHT Lbs. (kg).		179 (81)
ELECTRICAL SPECIFICATIONS	Electrical Supply	115VAC/60 Hz/1 Ph
	Running Load Amps	2.8
	Electrical Connection	Cord connected
	Cord Plug Type	NEMA 3 Prong 5-15P
	Cord Length	6'
	Defrost Initiation	Automatic
	Defrost Type	Hot gas
	Thermostat	Digital
	Lighting Type	LED
REFRIGERATION SPECIFICATIONS	Refrigerant	R600a (57g)
	Expansion Device	Capillary Tube
	Temperature Settings F (C)	Upper Zone - Refrigerator: 34° (1.1°) - 42° (5.6°) Factory Set Point 38° (3.3°) Lower Zone - Freezer: -10° (-23.3°) - 10° (-12.2°) Factory Set Point 0° (-17.8°)
	Heat Rejection (at 75°F)	700 BTU/hr
	Front Vented	Yes

Perlick accessories are available for purchase through an authorized Perlick dealer. For a full list of accessories and to find a dealer near you, visit perlick.com



800.558.5592

perlick.com



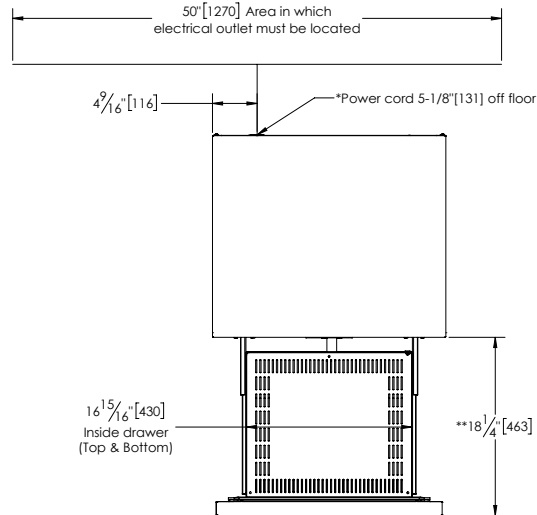
PERLICK®



RESIDENTIAL

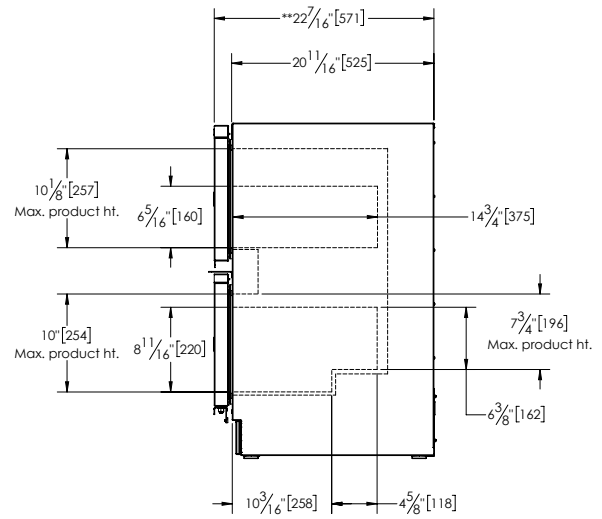
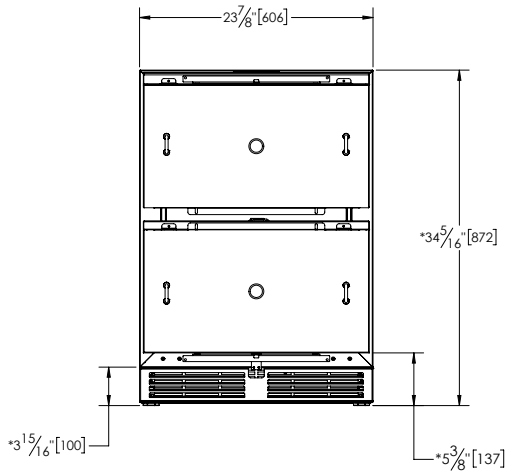


G5 LUXE 24" DUAL ZONE REF/FREEZER DRAWERS



* - Leg levelers can add 3/4" [19] to these dimensions when fully extended.

** - Overlay will add additional 3/4" [19] to overall depth. In addition, overall depth will change depending on handle selected.



800.558.5592

perlick.com