



PERLICK®



G5 LUXE 24" FREEZER DRAWERS

Crafted with over a century of premier commercial refrigeration expertise, the Perlick G5 collection brings the most innovative refrigeration available into the home—empowering hosts to serve effortlessly, whether for one guest or many.

Job:
Area:
Item #:
Model #:



G5FD24SL



MODEL NUMBER	MANUFACTURER ITEM NUMBER	DESCRIPTION
G5FD24SL	URS24E61-5-SD00	24" FREEZER, DRAWERS

G5 Luxe Collection Feature-Benefits

- **High-Performance Cooling:** Perlick's fastest cool-down speed yet, powered by Perlick's exclusive RAPIDcool™ technology chills every beverage quickly and evenly throughout the cabinet
- **Seamless, Beautiful Design:** Sleek cabinet profile with self-close drawers, integrate effortlessly into surrounding cabinetry
- **Commercial-Grade:** Industry-exclusive 300-series stainless steel interiors and exteriors provide corrosion-resistance and durability
- **Trusted Performance:** Certified for indoor and outdoor use, delivering consistent performance in kitchens, patios, or rooftop terraces
- **Smart Technology:** Adapts to your usage and environment for frost-free, consistent cooling, while continuously monitoring unit health for easy troubleshooting and fast remote support
- **Industry's Best Warranty:** 6 years parts and labor, plus a 30-day initial aesthetics parts and labor warranty
- **Quick-Cool Mode:** Chills beverages up to 20% faster for on-demand cooling
- **Intuitive Touchscreen Controls:** Sleek, modern interface with temperature, lighting, and diagnostics on an easy-to-use interface
- **Total Color Control™ LED Lighting:** 20 curated settings, including four distinct white tones, to create any desired aesthetic
- **Signature Legacy Handle:** Premium knurled stainless grip with cast end caps embossed with the Perlick emblem
- **Ultra-Quiet Performance:** Powered by Perlick-exclusive variable speed technology, delivering quiet operation without compromising cooling power
- **Triple-Pane Glass Doors:** Low-E, argon-filled, UV-resistant glass reduces energy transfer and strengthens durability
- **Perlick Anti-Condensation System™:** Prevents condensation from forming on the exterior of the cabinet
- **Easy Installation:** Patent-pending front-access leveling legs allow quick adjustments without tipping the unit
- **Better For The Environment Refrigerant:** This product uses R600a refrigerant which has zero ODP and very low GWP
- **Exclusively Perlick:** Exclusively designed, engineered and manufactured by Perlick
- **Sabbath Mode-Star K certified** that allows equipment to operate in accordance with Halacha, Shabbat, and Jewish Holidays

G5 Luxe Freezer Drawers Feature-Benefits

- Perfect for chilling glassware, storing large-format ice, and keeping frozen foods organized
- -10°F (-23.3°C) - 10°F (-12.2°C), Factory Set Point 0°F (-17.8°C)



800.558.5592

perlick.com



PERLICK®



G5 LUXE 24" FREEZER DRAWERS

MODEL NUMBERS		G5FD24SL
MODEL DESCRIPTION		FREEZER DRAWERS
OVERALL DIMENSIONS	Width - in. (mm)	23 7/8" (606)
	Depth - in. (mm)	22 1/2" (572)
	Height - in. (mm)	34 5/16" (872)
OPENING DIMENSIONS	Width - in. (mm)	24" (610)
	Depth - in. (mm)	24" (610)
	Height - in. (mm)	34 1/2" (876)
INTERNAL VOLUME Net. Cu. Ft. (L).		4.2 (119)
SHIPPING WEIGHT Lbs. (kg).		209 (95)
EQUIPMENT WEIGHT Lbs. (kg).		171 (77)
ELECTRICAL SPECIFICATIONS	Electrical Supply	115VAC/60 Hz/1 Ph
	Running Load Amps	2.8
	Electrical Connection	Cord connected
	Cord Plug Type	NEMA 3 Prong 5-15P
	Cord Length	6'
	Defrost Initiation	Automatic
	Defrost Type	Hot gas
	Thermostat	Digital
REFRIGERATION SPECIFICATIONS	Lighting Type	LED
	Refrigerant	R600a (56g)
	Expansion Device	Capillary Tube
	Temperature Settings F (C)	-10°F (-23.3°C) - 10°F (-12.2°C) Factory Set Point 0°F (-17.8°C)
	Heat Rejection (at 75°F)	700 BTU/hr
Front Vented	Yes	

Perlick accessories are available for purchase through an authorized Perlick dealer. For a full list of accessories and to find a dealer near you, visit perlick.com



800.558.5592

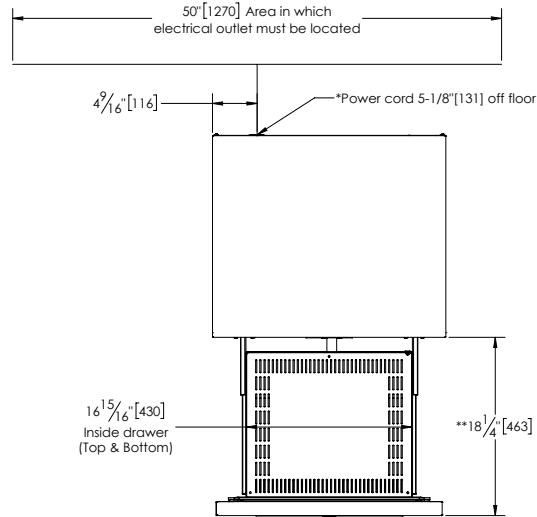
perlick.com



PERLICK®

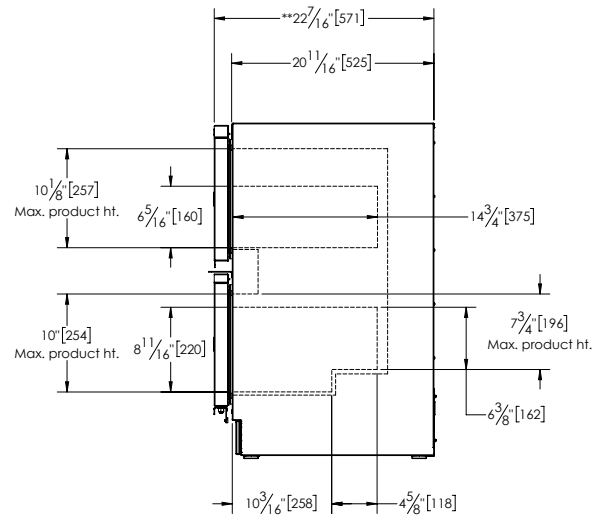
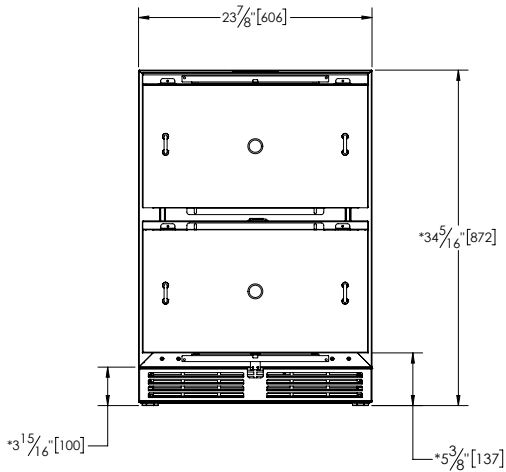


G5 LUXE 24" FREEZER DRAWERS



* - Leg levelers can add 3/4" [19] to these dimensions when fully extended.

** - Overlay will add additional 3/4" [19] to overall depth. In addition, overall depth will change depending on handle selected.



800.558.5592

perlick.com