



# PERLICK®



## G5 LUXE 15" REFRIGERATOR DRAWERS

Crafted with over a century of premier commercial refrigeration expertise, the Perlick G5 collection brings the most innovative refrigeration available into the home—empowering hosts to serve effortlessly, whether for one guest or many.

Job:  
Area:  
Item #:  
Model #:



G5RD15SL



MODEL NUMBER	ITEM NUMBER	DESCRIPTION
G5RD15SL	URS15A61-5-SD00	Refrigerator, Drawers, 15" G5 Luxe

### G5 Luxe Collection Feature-Benefits

- **High-Performance Cooling:** Perlick's fastest cool-down speed yet, powered by Perlick's exclusive RAPIDcool™ technology chills every beverage quickly and evenly throughout the cabinet
- **Seamless, Beautiful Design:** Sleek cabinet profile with self-close drawers, integrate effortlessly into surrounding cabinetry
- **Commercial-Grade:** Industry-exclusive 300-series stainless steel interiors and exteriors provide corrosion-resistance and durability
- **Trusted Performance:** Certified for indoor and outdoor use, delivering consistent performance in kitchens, patios, or rooftop terraces
- **Smart Technology:** Adapts to your usage and environment for frost-free, consistent cooling, while continuously monitoring unit health for easy troubleshooting and fast remote support
- **Industry's Best Warranty:** 6 years parts and labor, plus a 30-day initial aesthetics parts and labor warranty
- **Quick-Cool Mode:** Chills beverages up to 20% faster for on-demand cooling
- **Intuitive Touchscreen Controls:** Sleek, modern interface with temperature, lighting, and diagnostics on an easy-to-use interface
- **Signature Legacy Handle:** Premium knurled stainless grip with cast end caps embossed with the Perlick emblem
- **Ultra-Quiet Performance:** Powered by Perlick-exclusive variable speed technology, G5 delivers up to 55% quieter operation than previous generations—our quietest performance yet.
- **Perlick Anti-Condensation System™:** Prevents condensation from forming on the exterior of the cabinet
- **Easy Installation:** Patent-pending front-access leveling legs allow quick adjustments without tipping the unit
- **Better For The Environment Refrigerant:** This product uses R600a refrigerant which has zero ODP and very low GWP
- **Exclusively Perlick:** Exclusively designed, engineered and manufactured by Perlick
- **Sabbath Mode-Star K certified** that allows equipment to operate in accordance with Halacha, Shabbat, and Jewish Holidays

### G5 Luxe Refrigerator Drawers Feature-Benefits

- High capacity drawers provide organization of fresh ingredients for drink service, meal prep or beverages for the family
- 33°F (0.6°C) – 48°F (8.9°C), Factory Set Point 38°F (3.3°C)



800.558.5592

perlick.com



# PERLICK®



## G5 LUXE 15" REFRIGERATOR DRAWERS

MODEL NUMBERS		G5RD15SL
MODEL DESCRIPTION		Refrigerator, Drawers, 15" G5 Luxe
OVERALL DIMENSIONS	Width - in. (mm)	14 7/8 (378)
	Depth - in. (mm)	22 1/2 (572)
	Height - in. (mm)	34 5/16 (872)
OPENING DIMENSIONS	Width - in. (mm)	15 (381)
	Depth - in. (mm)	24 (610)
	Height - in. (mm)	34 1/2 (876)
INTERNAL VOLUME Net. Cu. Ft. (L).		2.7 (77)
SHIPPING WEIGHT Lbs. (kg).		163 (74)
EQUIPMENT WEIGHT Lbs. (kg).		134 (61)
ELECTRICAL SPECIFICATIONS	Electrical Supply	115VAC/60 Hz/1 Ph
	Running Load Amps	1.8
	Electrical Connection	Cord connected
	Cord Plug Type	NEMA 3 Prong 5-15P
	Cord Length	6'
	Defrost Initiation	Automatic
	Defrost Type	Off cycle
	Thermostat	Digital
	Lighting Type	LED
REFRIGERATION SPECIFICATIONS	Refrigerant	R600a (35g)
	Expansion Device	Capillary Tube
	Temperature Settings F (C)	33° (0.6°) - 48° (8.9°) Factory Set Point 38° (3.3°)
	Heat Rejection (at 75°F)	300 BTU/hr
	Front Vented	Yes

Perlick accessories are available for purchase through an authorized Perlick dealer. For a full list of accessories and to find a dealer near you, visit [perlick.com](http://perlick.com)



800.558.5592

[perlick.com](http://perlick.com)



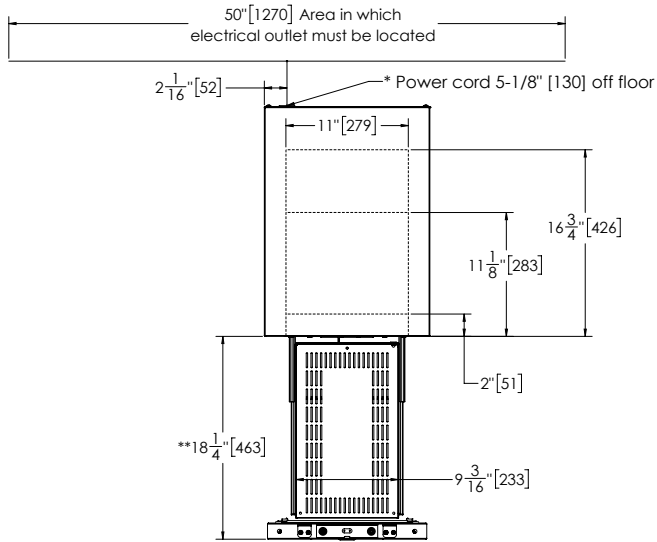
# PERLICK®



RESIDENTIAL

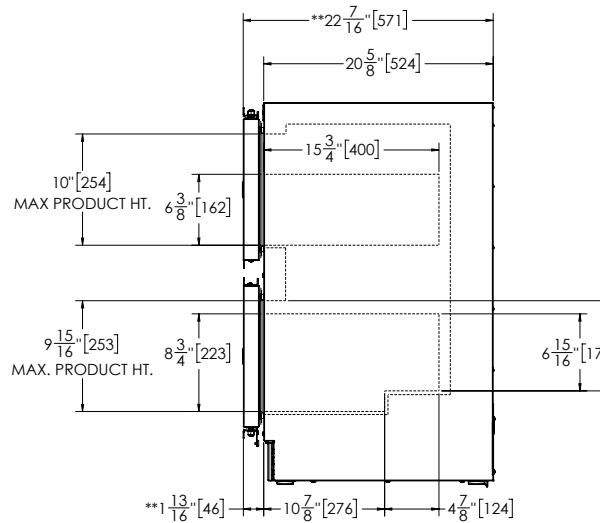
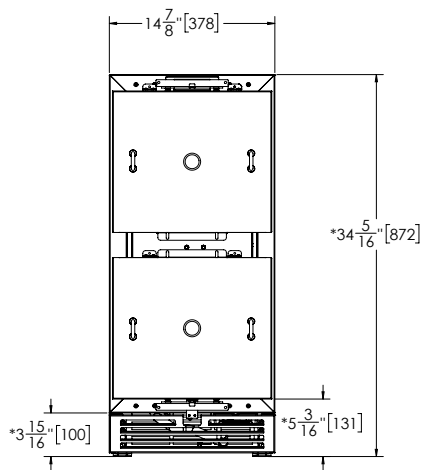


## G5 LUXE 15" REFRIGERATOR DRAWERS



\* Leg levelers can add 3/4" [19] to these dimensions when fully extended

\*\* Overlay will add additional 3/4" [19] to overall depth. In addition, overall depth will change depending on handle selected



800.558.5592

perlick.com