



# PERLICK®



## G5 24" REFRIGERATOR DRAWERS

Crafted with over a century of premier commercial refrigeration expertise, the Perlick G5 collection brings the most innovative refrigeration available into the home—empowering hosts to serve effortlessly, whether for one guest or many.

Job:  
Area:  
Item #:  
Model #:



G5RD24SC



MODEL NUMBER	ITEM NUMBER	DESCRIPTION
G5RD24SC	URC24A61-5-SD00	24" REFRIGERATOR, DRAWERS

### G5 Collection Feature-Benefits

- **High-Performance Cooling:** Perlick’s fastest cool-down speed yet, powered by Perlick’s exclusive RAPIDcool™ technology chills every beverage quickly and evenly throughout the cabinet
- **Seamless, Beautiful Design:** Sleek cabinet profile with self-close drawers, integrate effortlessly into surrounding cabinetry
- **Trusted Performance:** Certified for indoor and outdoor use, delivering consistent performance in kitchens, patios, or rooftop terraces
- **Smart Technology:** Adapts to your usage and environment for frost-free, consistent cooling, while continuously monitoring unit health for easy troubleshooting and fast remote support
- **3-year parts and labor warranty,** 6-year sealed system parts & labor, with 30-day initial aesthetics parts and labor warranty
- **Quick-Cool Mode:** Chills beverages up to 20% faster for on-demand cooling
- **Intuitive Touchscreen Controls:** Sleek, modern interface with temperature, lighting, and diagnostics on an easy-to-use interface
- **Ultra-Quiet Performance:** Powered by Perlick-exclusive variable speed technology, G5 delivers up to 55% quieter operation than previous generations—our quietest performance yet.
- **Perlick Anti-Condensation System™:** Prevents condensation from forming on the exterior of the cabinet
- **Easy Installation:** Patent-pending front-access leveling legs allow quick adjustments without tipping the unit
- **Better For The Environment Refrigerant:** This product uses R600a refrigerant which has zero ODP and very low GWP
- **Exclusively Perlick:** Exclusively designed, engineered and manufactured by Perlick
- All stainless-steel interiors and exteriors, with 400-series stainless steel
- Sabbath Mode—Star K certified that allows equipment to operate in accordance with Halacha, Shabbat, and Jewish Holidays

### G5 Refrigerator Drawers Feature-Benefits

- High capacity drawers provide organization of fresh ingredients for drink service, meal prep or beverages for the family
- 33°F (0.6°C) – 48°F (8.9°C), Factory Set Point 38°F (3.3°C)



800.558.5592

perlick.com



# PERLICK®



## G5 24" REFRIGERATOR DRAWERS

MODEL NUMBERS		G5RD24SC
MODEL DESCRIPTION		REFRIGERATOR DRAWERS
OVERALL DIMENSIONS	Width - in. (mm)	23 7/8" (606)
	Depth - in. (mm)	22 1/2" (572)
	Height - in. (mm)	34 5/16" (872)
OPENING DIMENSIONS	Width - in. (mm)	24" (610)
	Depth - in. (mm)	24" (610)
	Height - in. (mm)	34 1/2" (876)
INTERNAL VOLUME Net. Cu. Ft. (L).		4.9 (138)
SHIPPING WEIGHT Lbs. (kg).		214 (97)
EQUIPMENT WEIGHT Lbs. (kg).		175 (79)
ELECTRICAL SPECIFICATIONS	Electrical Supply	115VAC/60 Hz/1 Ph
	Running Load Amps	1.9
	Electrical Connection	Cord connected
	Cord Plug Type	NEMA 3 Prong 5-15P
	Cord Length	6'
	Defrost Initiation	Automatic
	Defrost Type	Off cycle
	Thermostat	Digital
	Lighting Type	LED
REFRIGERATION SPECIFICATIONS	Refrigerant	R600a (57g)
	Expansion Device	Capillary Tube
	Temperature Settings F (C)	33°F (0.6°C) - 48°F (8.9°C) Factory Set Point 38°F (3.3°C)
	Heat Rejection (at 75°F)	450 BTU/hr
	Front Vented	Yes

Perlick accessories are available for purchase through an authorized Perlick dealer. For a full list of accessories and to find a dealer near you, visit [perlick.com](http://perlick.com)



800.558.5592

[perlick.com](http://perlick.com)



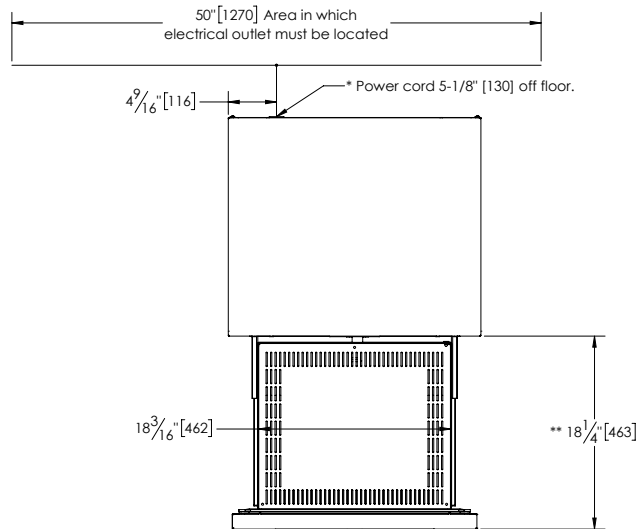
# PERLICK®



RESIDENTIAL

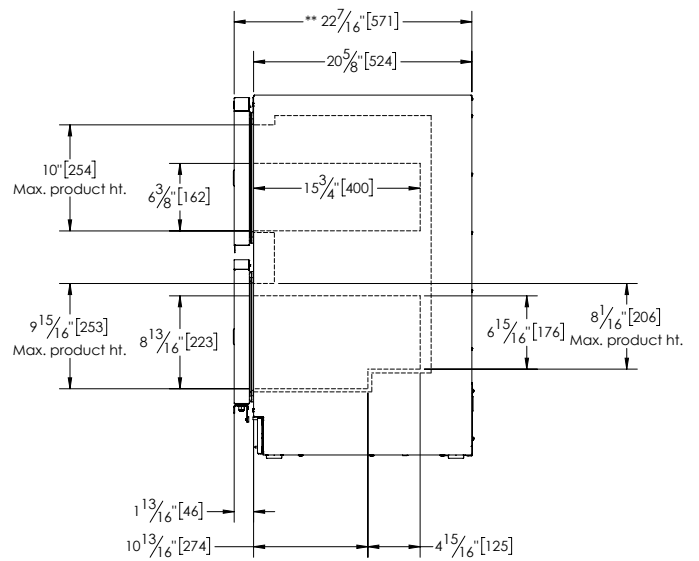
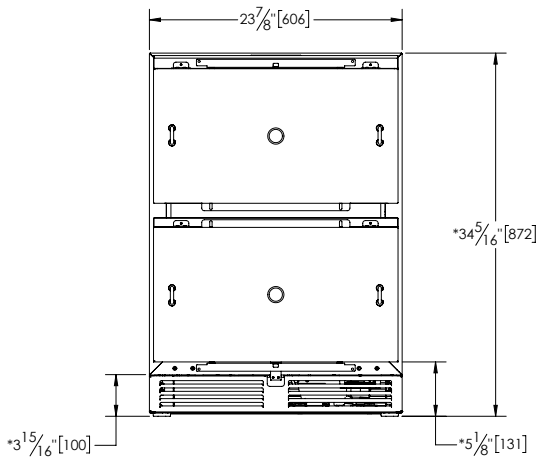


## G5 24" REFRIGERATOR DRAWERS



\* - Leg levelers can add 3/4" [19] to these dimensions when fully extended.

\*\* - Overlay will add additional 3/4" [19] to overall depth. In addition, overall depth will change depending on handle selected.



800.558.5592

perlick.com