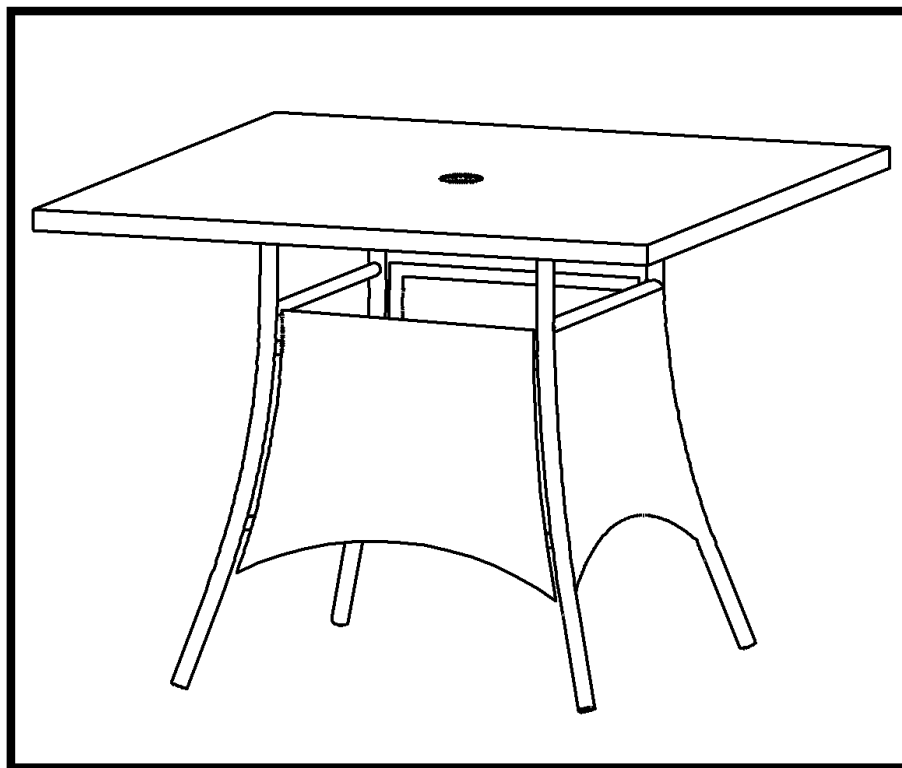




Gentilly 32" Sq. Dining Table



Customer Service

CustomerService@ShoppersChoice.com

Monday-Friday 7-9, Sat. 9-3, Sun. 12-6 CST

Toll Free: 1-877-743-2269

www.ShoppersChoice.com

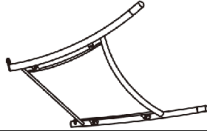

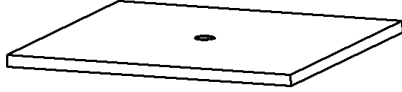


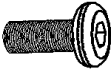


WARNING

Please read instructions carefully and thoroughly before assembling. Check parts against the parts list to make sure you have all the parts needed for proper assembly. Familiarize yourself with the inventory of parts and the accompanying illustrations to ensure safe and proper assembly.

**DO NOT ATTEMPT TO ASSEMBLE IF PARTS ARE MISSING OR DAMAGED.
IMPROPER ASSEMBLY MAY RESULT IN DAMAGE OR SERIOUS INJURY .**

To assemble, place the table on a non-abrasive flat surface to prevent scratching.

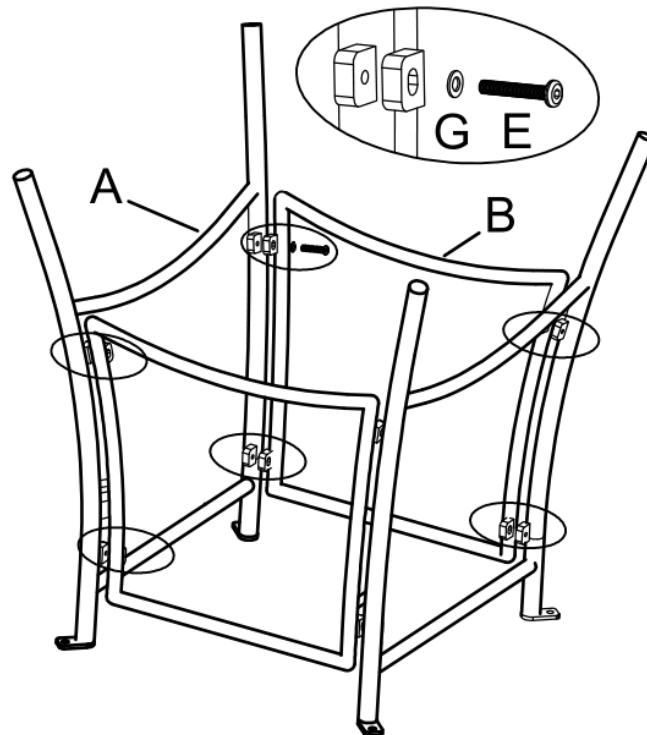
PARTS LIST

PART	DESCRIPTION	PICTURE	QTY
A	Stand		2
B	Connecting Panel		2
C	Table Top		1
D	Glass		1
E	Bolt(m6*30)		8
F	Bolt(m6*20)		4
G	Φ12mm Flat washer		12
H	Hex screw driver		1

1

Attach the Stand (A) to Connecting Panel (B) by inserting bolts (E) through washers (G) .
Do not tighten the bolts at this point. (Figure 1)

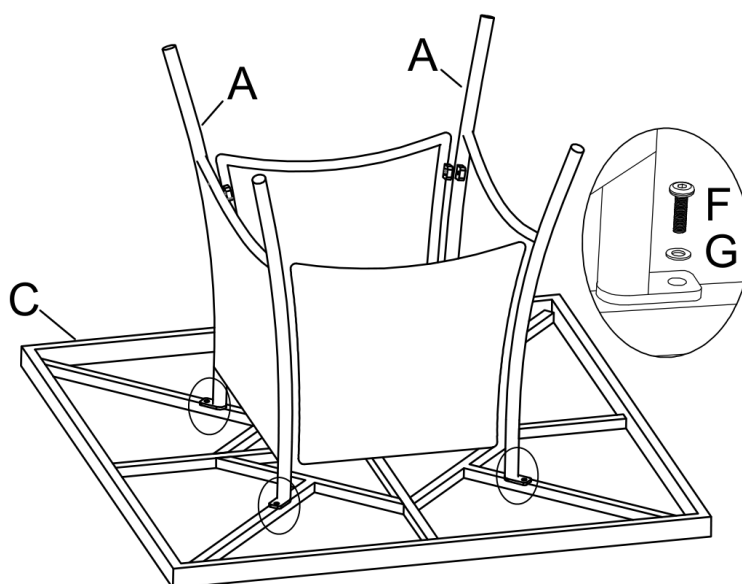
Figure 1



2

Attach the Stands to the Table Top at the connection points on the supporting bars using Washers(G) and Bolts(F) with Allen Key(H) as Figure 2.

Figure 2



3 Turn over the table, Put on the glass.
The table is ready for your enjoyment .
(Figure 3)

Figure 3

