

# 24" C-SERIES WINE RESERVE

HC24WB-3 | 24" INDOOR MODEL

**Perlick**<sup>®</sup>  
QUALITY & INNOVATION  
THAT **INSPIRES**



Solid Door Model



Glass Door Model



Intertek

## GENERAL C-SERIES FEATURES

- Zero-clearance hinging allows for abutment with surrounding cabinetry
- 525 Btu commercial-grade compressor
- Front-vented, RAPIDcool forced-air refrigeration system
- Commercial-grade stainless steel interior
- **Industry Exclusive** convertible door design allows all doors the ability to be converted to wood overlay from stainless steel
- **Industry Exclusive** adjustable, full-extension pull-out shelves (drawer models excluded)
- Stainless-steel ball-bearing glides provide smooth movement of shelves
- Low E, UV-coated glass provides industry leading insulation and protection.
- Digital temperature control
- Interior light
- Optional door locks and Industry-Exclusive drawer locks (factory installed)
- Stacking kit available
- Indoor and outdoor models available
- Also available - 24" Indoor Refrigerator, Beverage Center and 24" Beer Dispenser, and 24" Outdoor Refrigerator and Beer Dispenser
- 5.2 cubic feet of capacity
- Industry Best Three Year Warranty plus additional three years on sealed system

## HC24WB FEATURES

- Available with solid stainless steel door, solid wood overlay door, stainless steel glass door or wood overlay glass door
- Cabinet construction eliminates vibration transfer to reserve
- Black vinyl-clad exterior
- Wine Reserve temperature 45°- 65°F
- Includes five (5) full-extension wine shelves to accommodate 40 wine bottles (based on 750 ml., 3" diameter bottles)
- Extra storage underneath shelves for additional bottles
- Shelves are removable and adjustable to accommodate oversized/magnum bottles

Form No.HC24W-3  
Rev. 09.19.2014

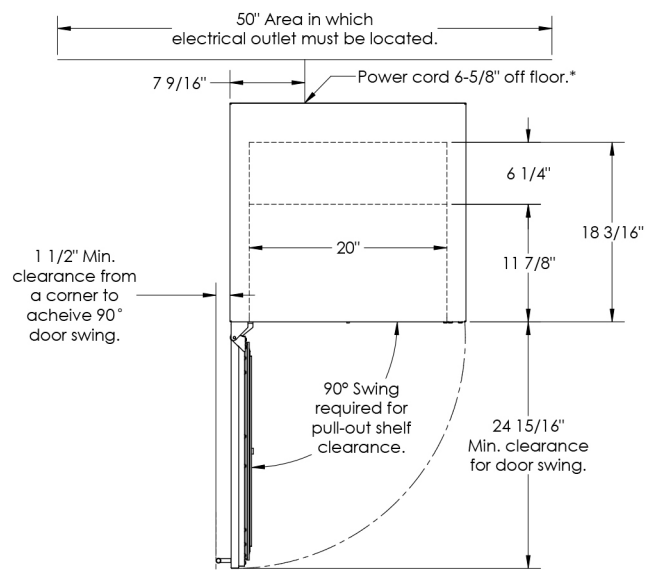
## PRODUCT SPECIFICATIONS

<b>Overall Width</b>	23-7/8" (60.64 cm.)
<b>Overall Height</b>	34-1/4" (86.96 cm.)
<b>Overall Depth</b>	24" (60.96 cm.)
<b>Opening Width</b>	24" (60.96 cm.)
<b>Opening Height</b>	34-3/8" (87.31 cm.)
<b>Opening Depth</b>	24" (60.96 cm.)
<b>Refrigerated Volume</b>	5.2 cu. ft.
<b>Door Swing Clearance</b>	25" (63.5 cm.) minimum
<b>Electrical</b>	115V, 60Hz., 1 Phase, 2.3 amps
<b>Plumbing</b>	None Required
<b>Shipping Weight</b>	215 lbs (97.52 kg.)

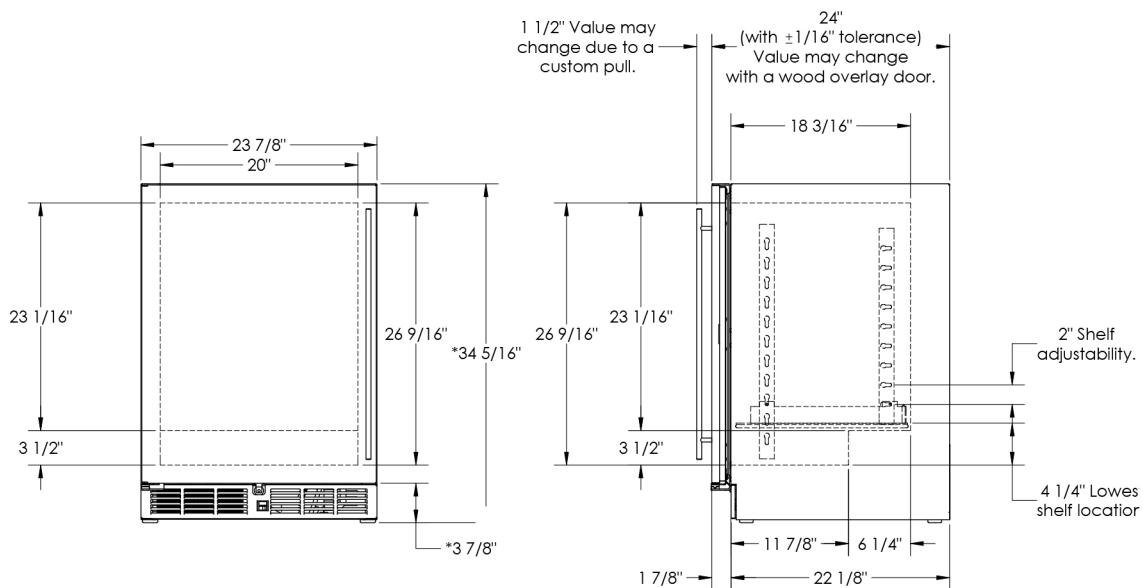
## INDOOR MODELS

<b>HC24RB-3-1L*</b>	Solid stainless steel door, hinge left
<b>HC24RB-3-2L*</b>	Solid wood overlay door, hinge left
<b>HC24RB-3-3L*</b>	Stainless steel glass door, hinge left
<b>HC24RB-3-4L*</b>	Wood overlay glass door, hinge left

\* Also available hinge right



\* - Leg leveler can add 3/4" to these dimensions when fully extended.



Form No.HC24W-3  
Rev. 09.19.2014