

# Haven Sofa

## Teak Arm

Assembly Guide

*neighbor*

**Frame Boxes**

- ✓ Left Module - Teak Arm Frame (1)
- ✓ Right Module - Teak Arm Frame (1)
- ✓ Armless Module Frame (1)

**Cushion Boxes**

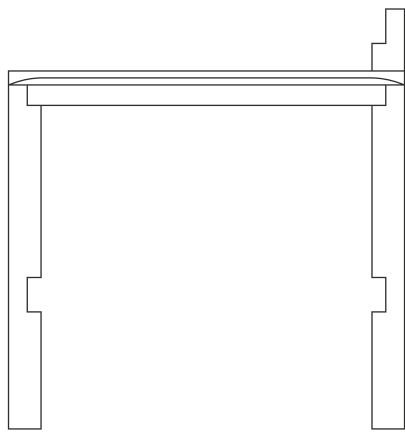
- ✓ Cushions - Armless/Teak Arm (3)

# Parts



### 3X Module Base

Left Module - Teak Arm Frame Box  
 Right Module - Teak Arm Frame Box  
 Armless Module Frame Box



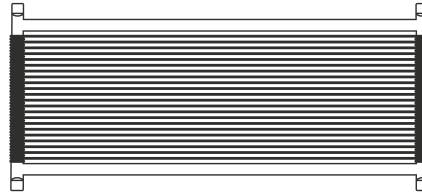
### 1X Right Teak Arm

Right Module - Teak Arm Frame Box



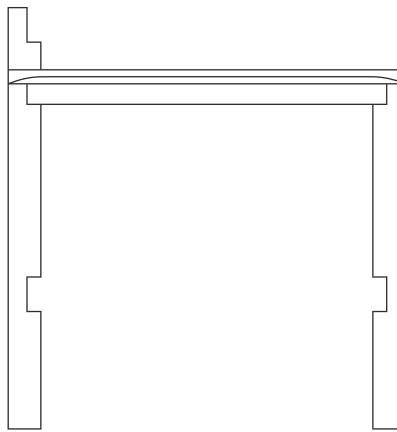
### 3X Module Back Support

Left Module - Teak Arm Frame Box  
 Right Module - Teak Arm Frame Box  
 Armless Module Frame Box



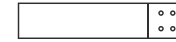
### 3X Module Roped Back

Left Module - Teak Arm Frame Box  
 Right Module - Teak Arm Frame Box  
 Armless Module Frame Box



### 1X Left Teak Arm

Left Module - Teak Arm Frame Box



### 2X Short leg

Right Module - Teak Arm Frame Box  
 Armless Module Frame Box



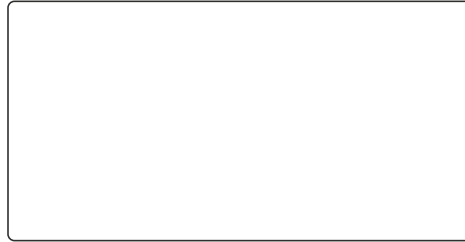
### 2X Long leg

Right Module - Teak Arm Frame Box  
 Armless Module Frame Box

# Cushions



**3X Module Base Cushion**  
Armless/Teak Arm Cushions Box



**3X Module Back Cushion**  
Armless/Teak Arm Cushions Box

# Hardware



**32X 30mm Hex Bolt**  
All Frame Boxes



**4X 40mm Hex Bolt**  
Left Module - Teak Arm Frame Box  
Right Module - Teak Arm Frame Box

# Tools



**1X Allen Wrench**  
All Frame Boxes

## Assembly Tips

### Use caution when lifting

Two-person lift is recommended. The boxes and product are both large and heavy.

### Lay everything out before you begin

Getting familiar with all the components before assembly will make for a faster and easier assembly process.

### Assemble on a soft surface

We recommend assembling your furniture on a soft surface such as a rug or a towel. The wood frame can scratch against harsh textures like brick or concrete.

### Loose first, then tight

Partly tighten the hex bolts while assembly. After the modules are fully assembled, tighten the bolts firmly. Keep in mind humidity levels can slightly affect how the pieces fit together.

## Product Care

### Caring for teak

Unfinished teak will gradually change color from honey gold to a silver-gray patina. We encourage allowing the teak to turn color naturally and cleaning it annually or bi-annually. As for cleaning, we recommend Golden Teak Cleaner, which is specifically designed to kill mold and mildew spores inside teak.

Avoid prolonging mildew growth. If left in the shade for extended periods, this can be common. If you live in a particularly humid or rainy climate, keep a closer eye on mildew growth and clean as needed.

Covering your furniture when not in use will greatly prolong the lifespan of the wood.

### Caring for Sunbrella

Brush off dirt before it becomes embedded in the fabric and wipe up spills as soon as they happen. Rinse thoroughly and air dry. Avoid scrubbing, stiff bristle brushes, or any other abrasive cleaning method.

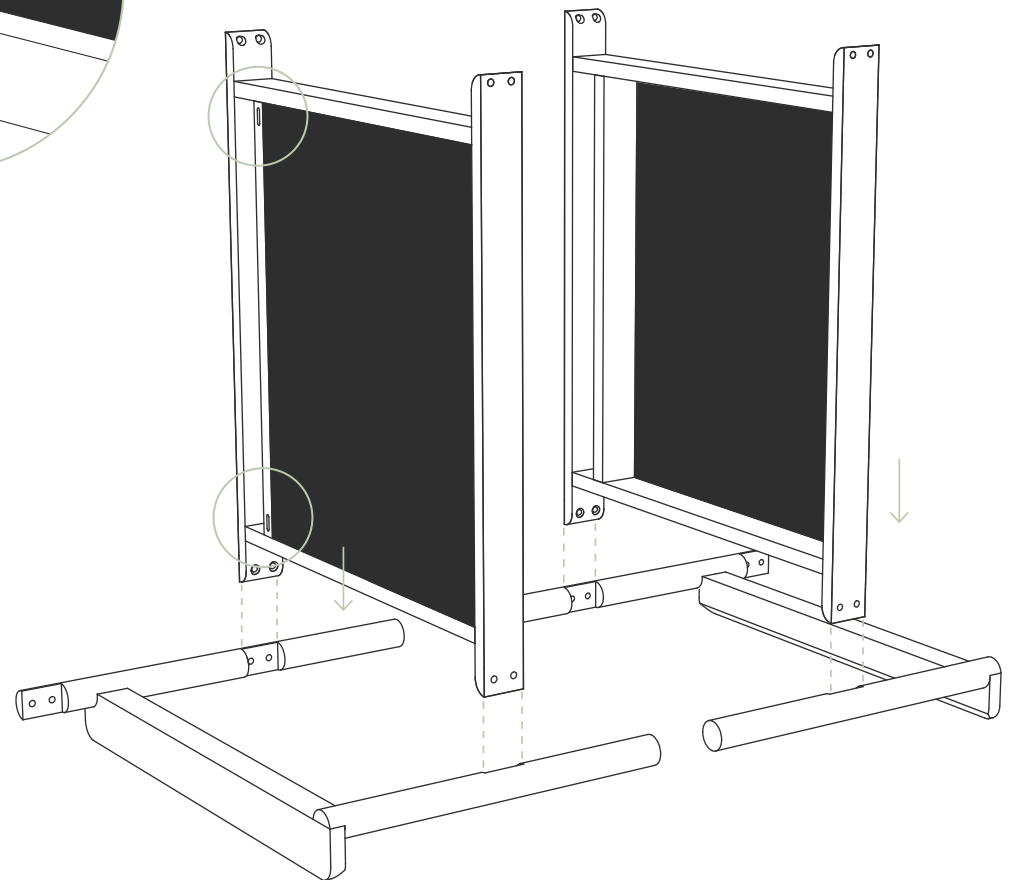
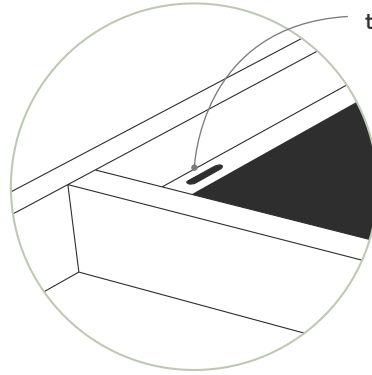
Protect the area around your furniture when using bleach or other chemical solvents that may discolor non-Sunbrella fabrics.

If fabric is wrinkled, use an iron on the synthetic setting. As iron temperatures may vary, test a small area first before ironing the entire piece. Do not use a steamer or an iron set to the steam setting.

### Fabric stain removal

- Blot (don't rub) liquid spills with a clean, dry cloth. For oil-based spills, apply an absorbent such as corn starch then remove with a straight edge.
- Spray on a mild cleaning solution of soap (such as Woolite® or Dawn®) and water and lightly agitate with a sponge or gentle brush.
- Rinse the fabric thoroughly to remove all soap residue.
- Air dry.
- As needed, unzip and machine-wash covers.

Backrest slots should align with the back of the armrest, as shown

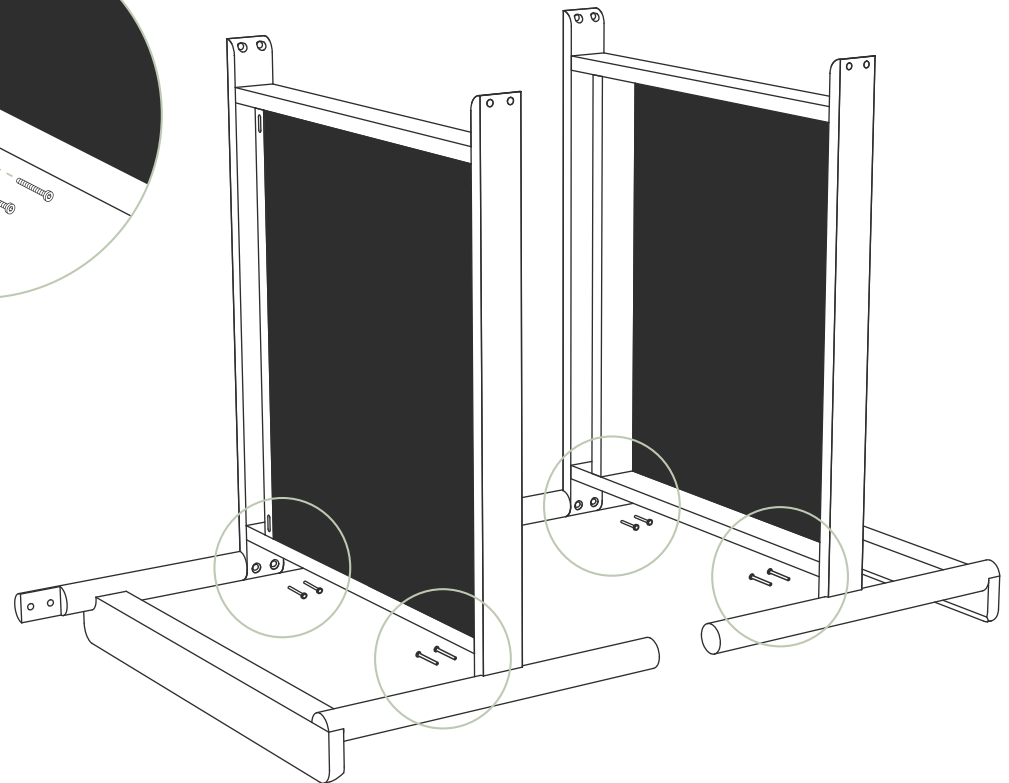
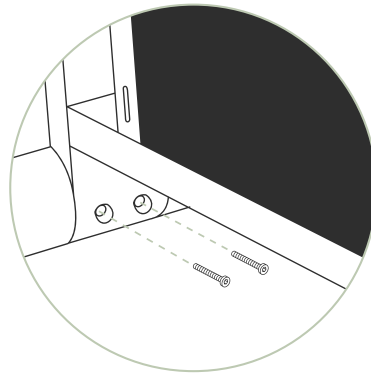


# 1

## Connect bases to arms

Place both the Left and Right Teak Arms on a soft surface with the armrests facing down. Gently slide the Module Bases into each arm's inner slots.

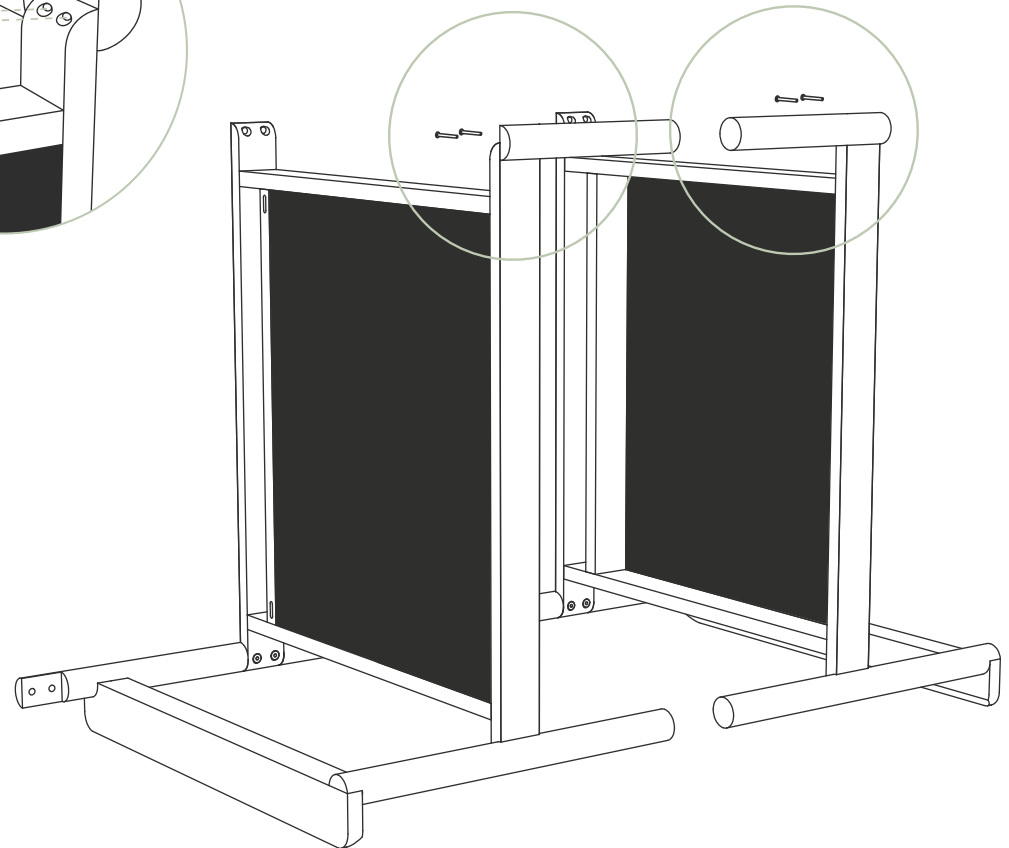
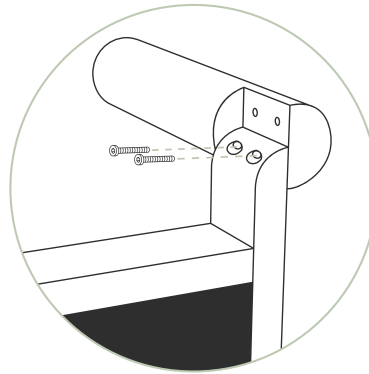
8X 30mm Hex Bolt



## 2 Fasten arms to bases

Using the Allen Wrench provided, fasten the Module Bases to the Left and Right Teak Arms with four 30mm Hex Bolts per side.

4X 30mm Hex Bolt

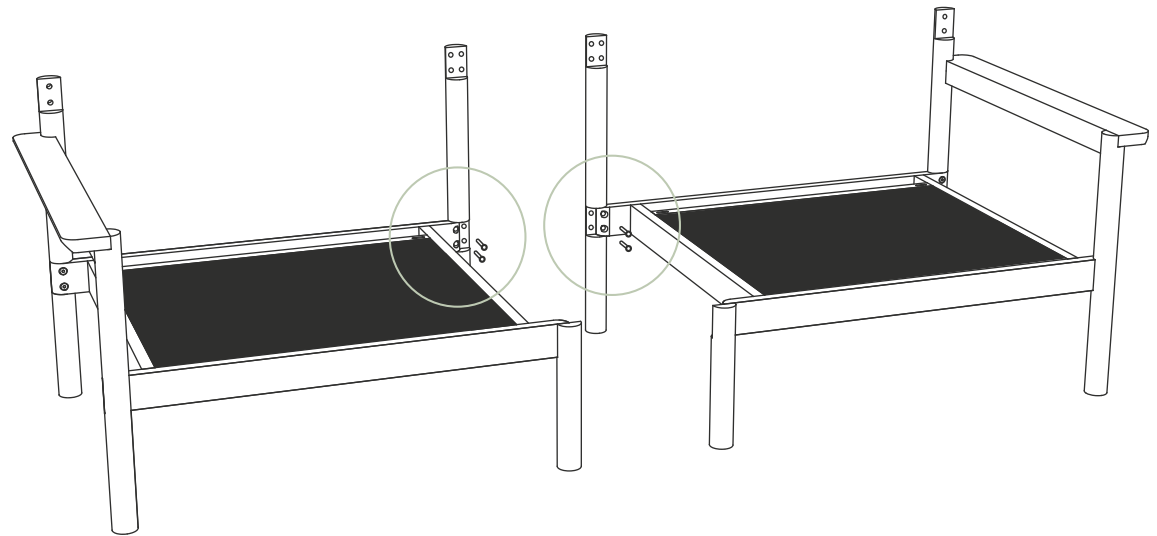
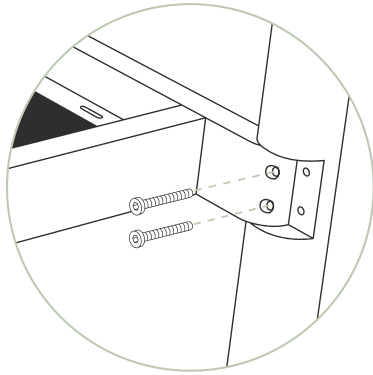


### 3 Fasten short legs to bases

Using the Allen Wrench provided, fasten two Short Legs to the front of each Module Base with two 30mm Hex Bolts per leg. Be sure to leave two threaded holes on each leg exposed as demonstrated.

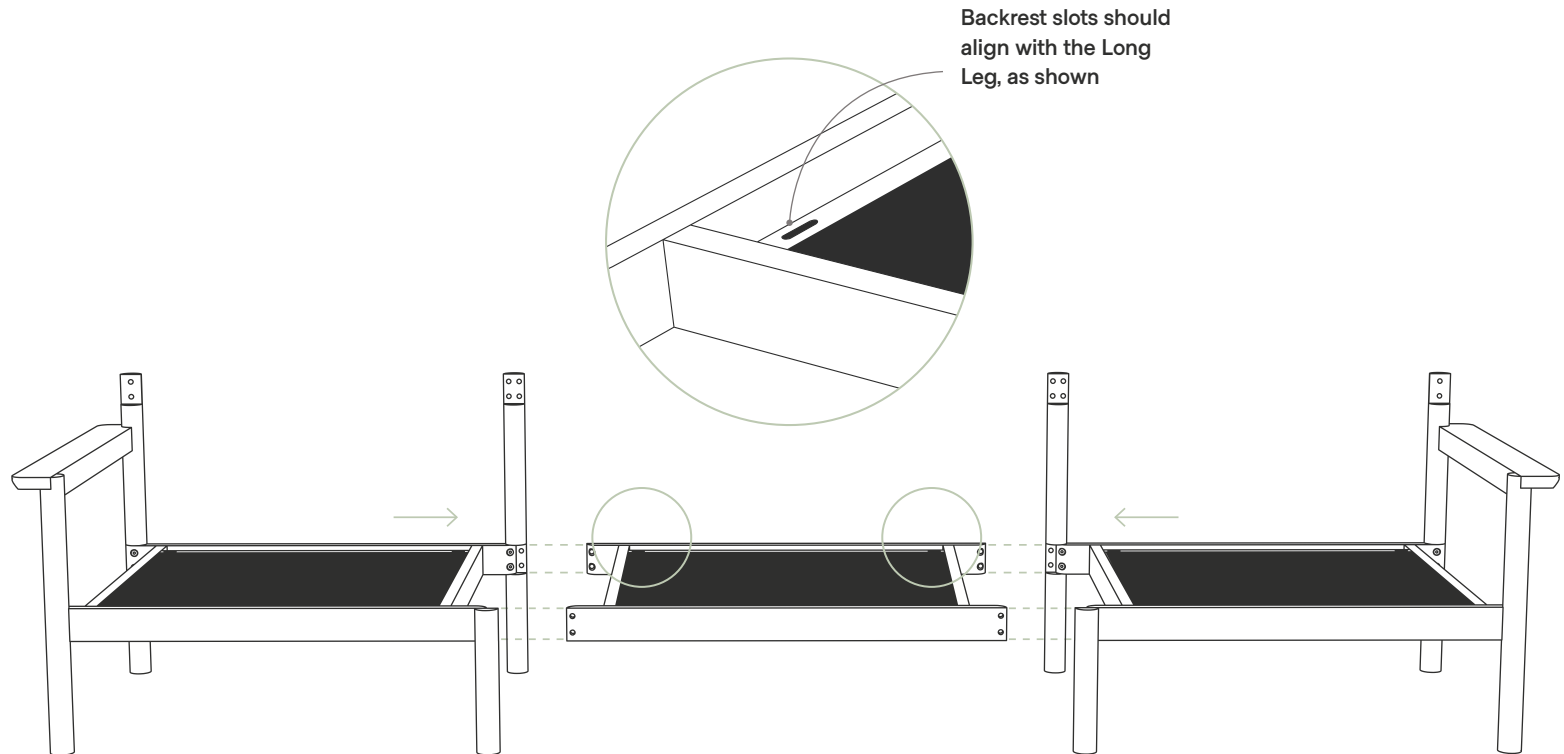


4X 30mm Hex Bolt



## 4 Fasten long legs to bases

Stand the assembled components upright. With the Allen Wrench provided, fasten the Long Legs to the Module Bases with two 30mm Hex Bolts per leg. Be sure to leave two threaded holes on each leg exposed as demonstrated.

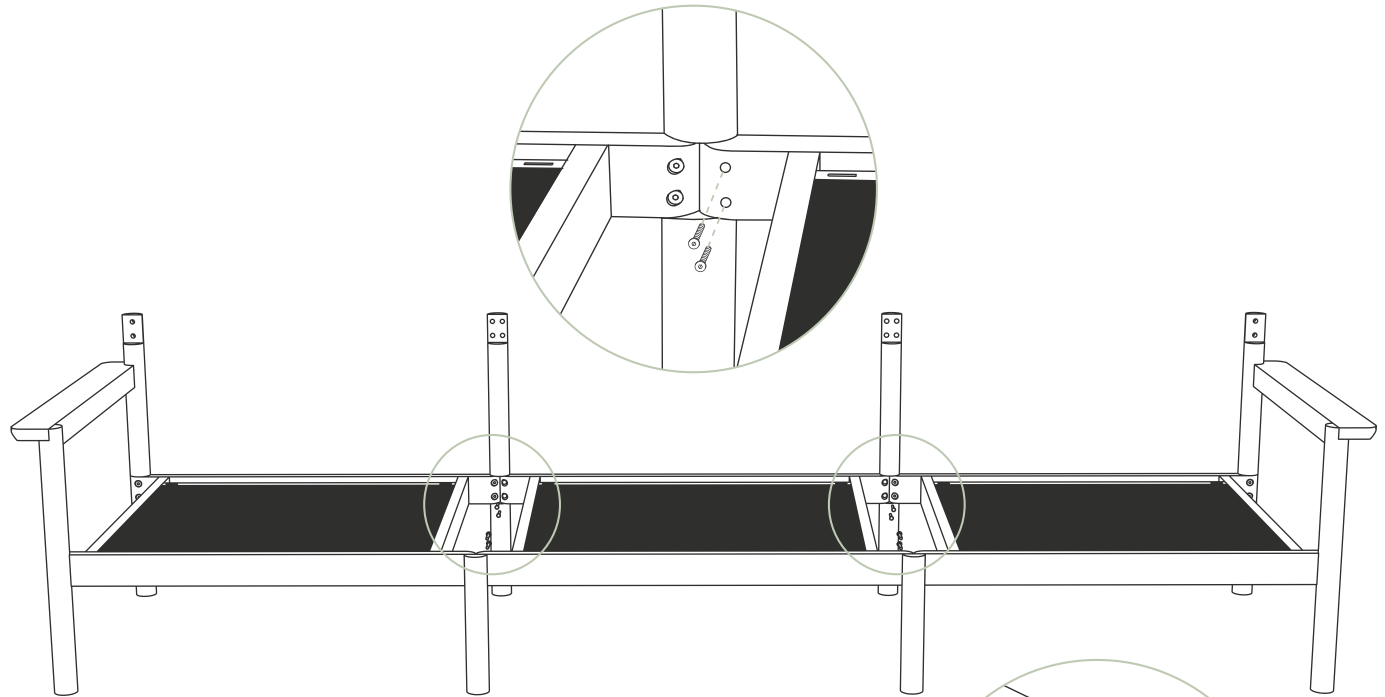


# 5

## Connect bases

Gently slide the remaining Module Base into the assembled arm component's Long and Short Legs on either side. Slide base until its pre-drilled holes align with the threaded holes on the legs.

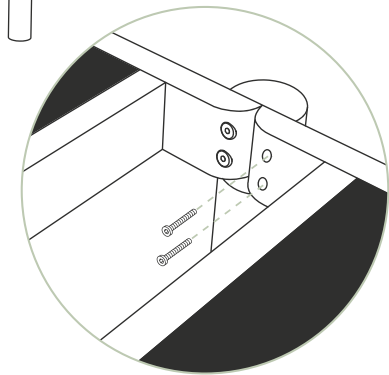
4X 30mm Hex Bolt



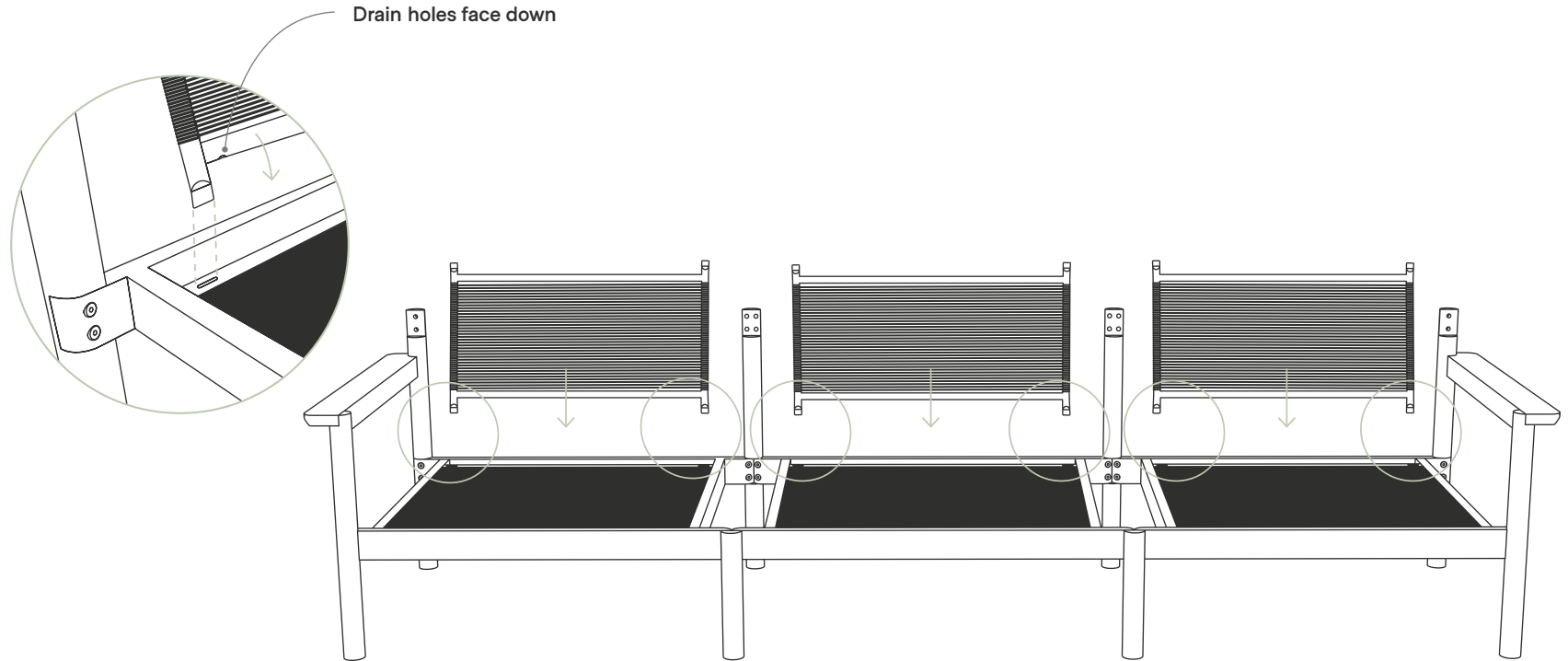
## 6

## Fasten bases

After holes on the bases are aligned with the corresponding threaded holes on each leg, use the Allen Wrench provided to fasten them together with two 30mm Hex Bolts per side.

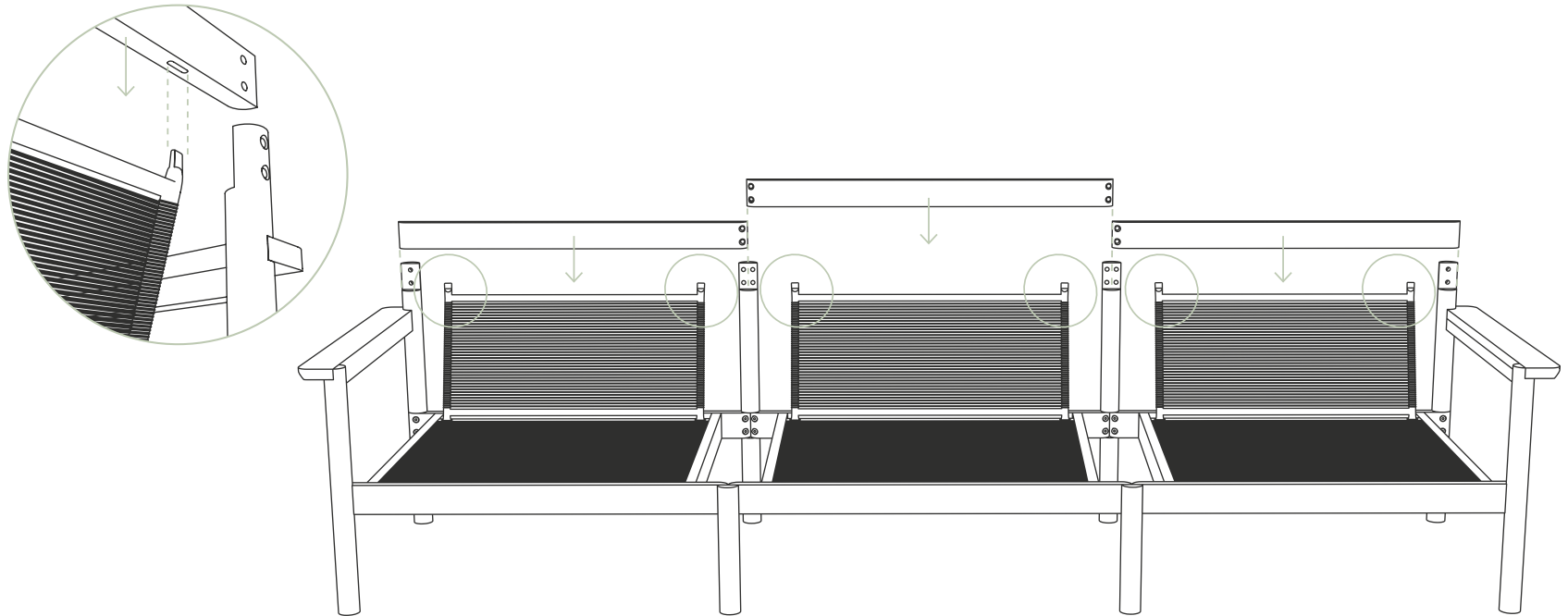


4X 30mm Hex Bolt



## 7 Secure roped backs to bases

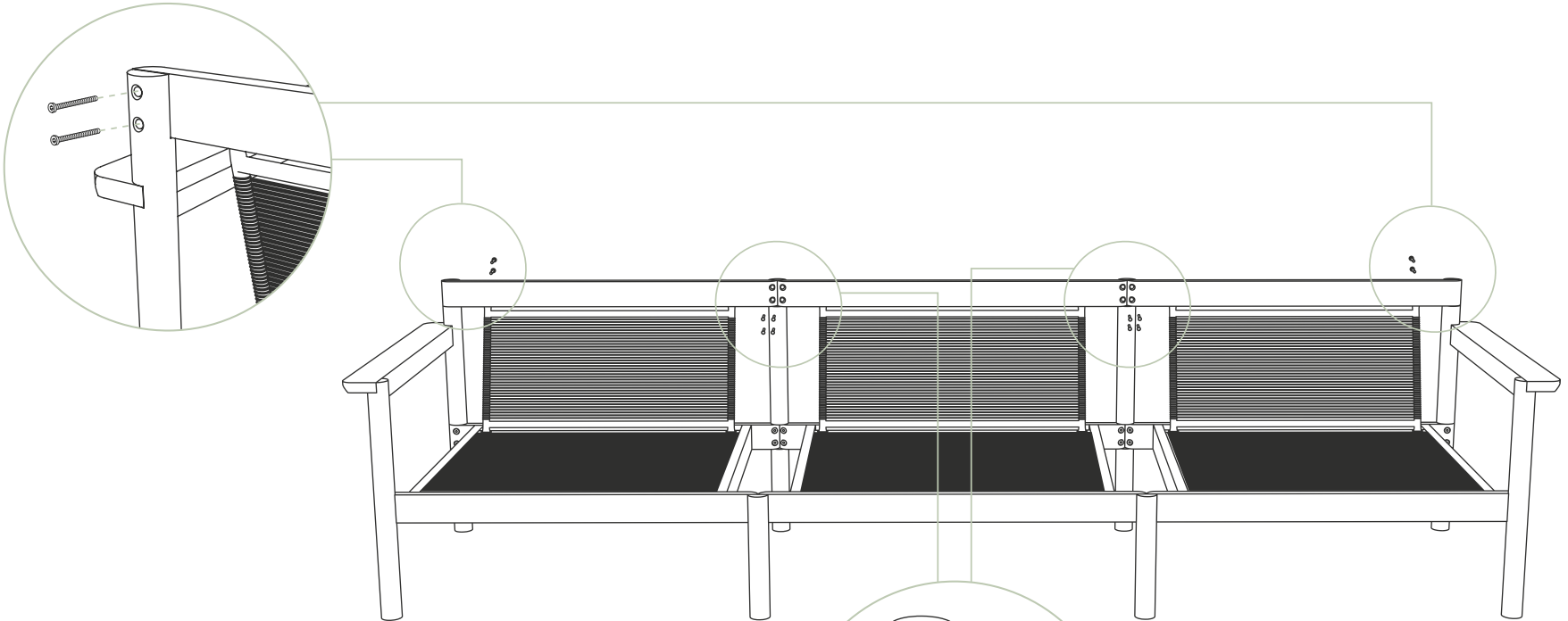
Insert the Module Roped Backs into the slots of the Module Bases.



## 8 Attach back supports to roped backs

Lower each Module Back Support onto the Module Roped Backs by fitting the tabs into their corresponding slots, then insert.

4X 40mm Hex Bolt

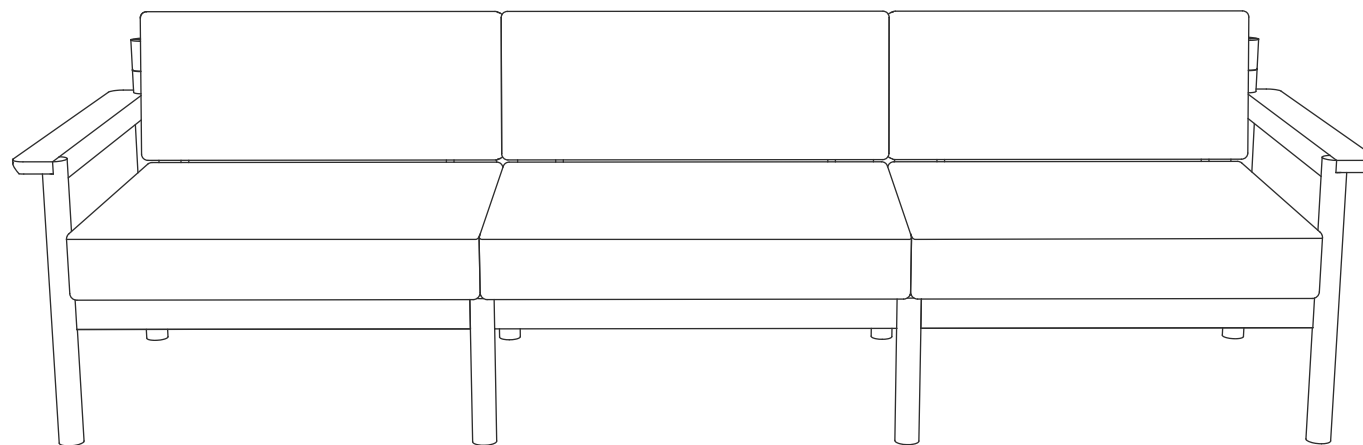


# 9

## Fasten back supports

Fasten the Module Back Supports to the two center Long Legs with eight 30mm Hex Bolts. Then fasten Module Back Supports to Teak Arms with two 40mm Hex Bolts per side.

8X 30mm Hex Bolt



# 10

## Add cushions

With the zipper seam facing backward, add base cushions. Finally, add the back cushions. Relax! You're ready to enjoy your sofa.

# Contact

Have a question, comment, feedback?  
We love hearing from customers.

[support@hineighbor.com](mailto:support@hineighbor.com)  
[hineighbor.com](http://hineighbor.com)



*neighbor*