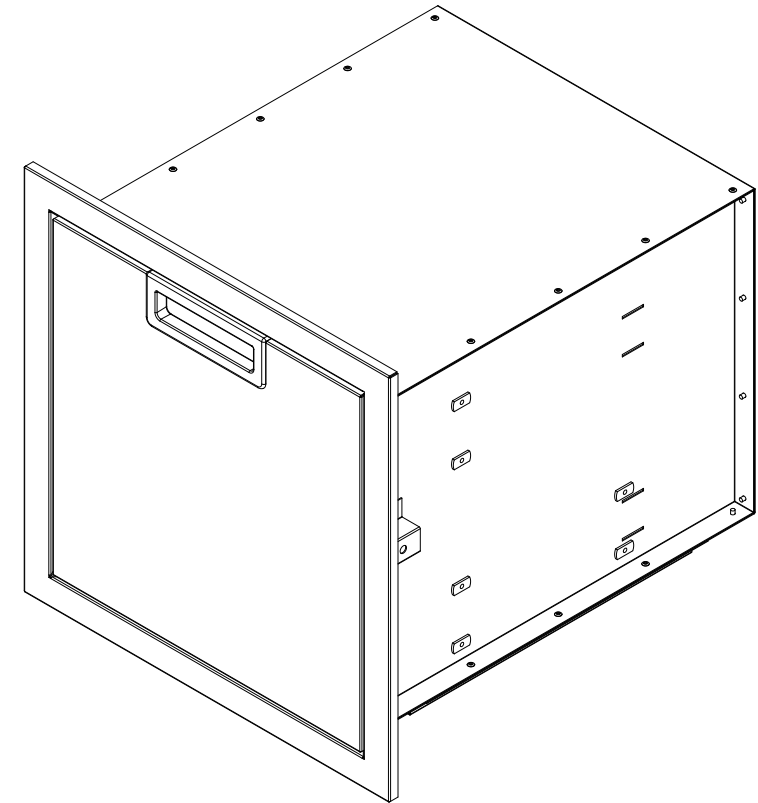
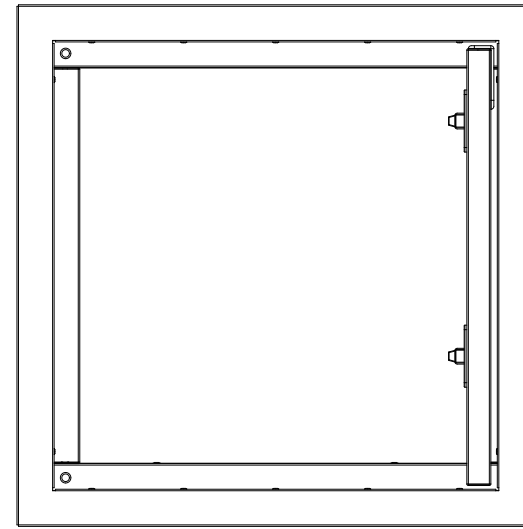
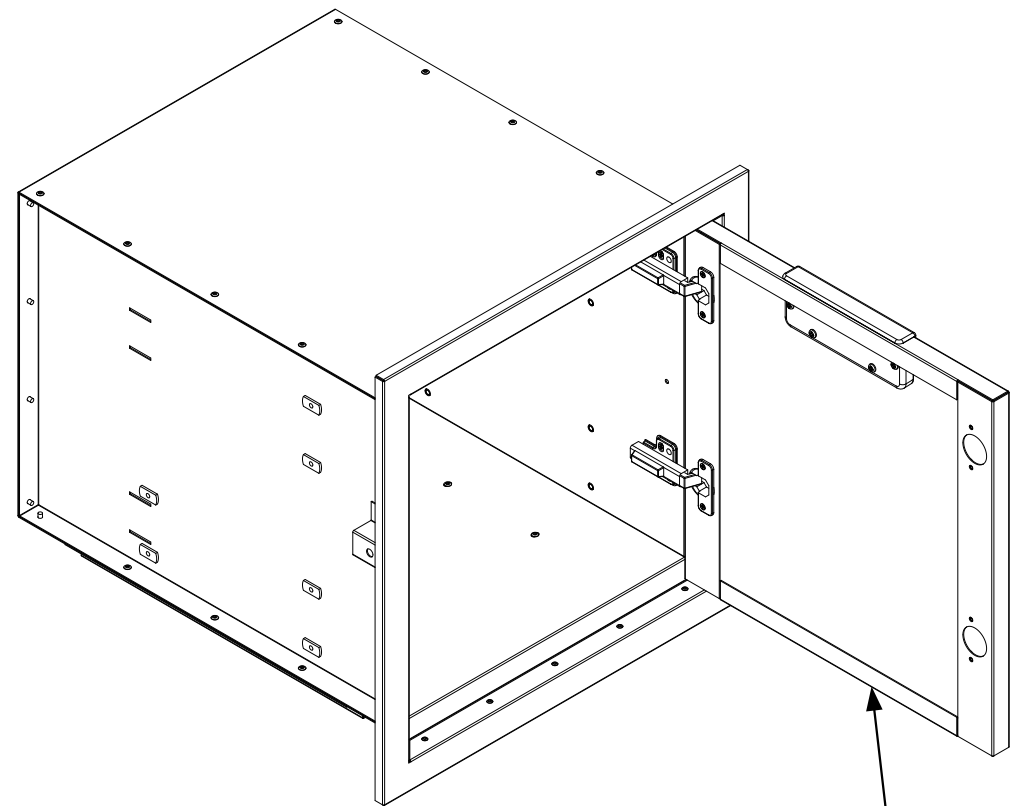


REVISION HISTORY			
REV	DESCRIPTION	DATE	APPROVED
-	Engineering Release	01/01/2020	Todd Stone



Door shown with righthand mounting option. Door hardware can be switched for a lefthand mount

Suggested Cut-out Dimensions	
Height	19.125
Width	18.938
Depth	23.000
Material	SS 304

Dimensions are in inches
 Linear Tolerance: +/- .015
 Bend Tolerance: +/- .020
 Angular Tolerance: +/- 0.5
 Radial Tolerance: +/- .005

DRAWN BY: Todd Stone

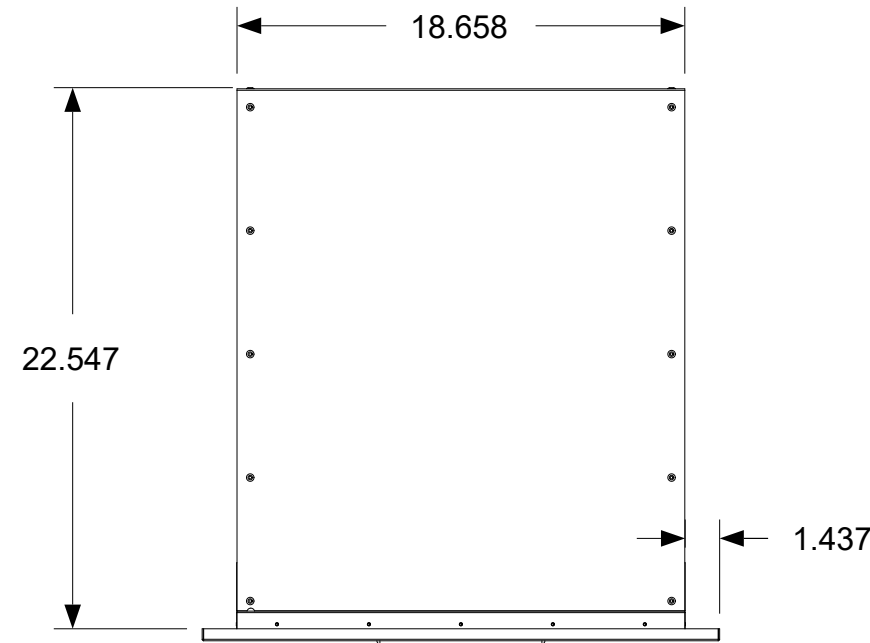
CROWN VERITY

37 Adams Blvd., Brantford, Ontario, N3S 7V8
 P: (519) 751-1800 www.crownverity.com

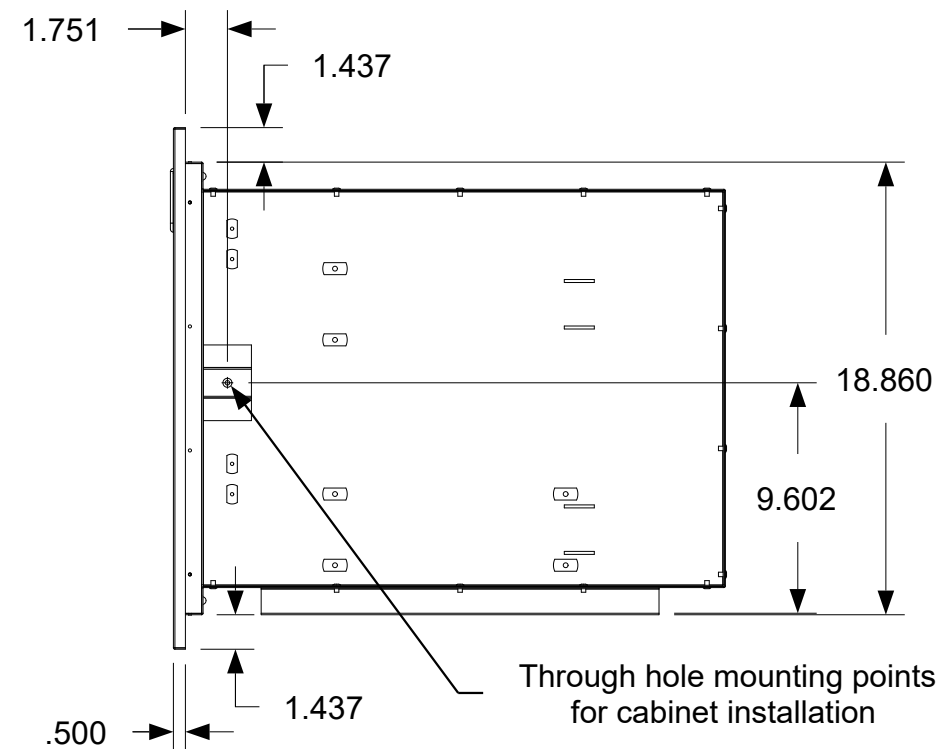
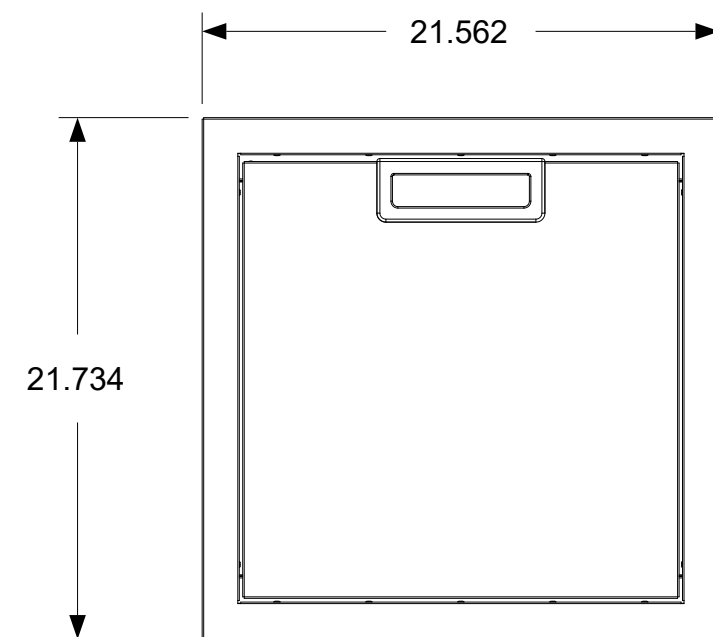
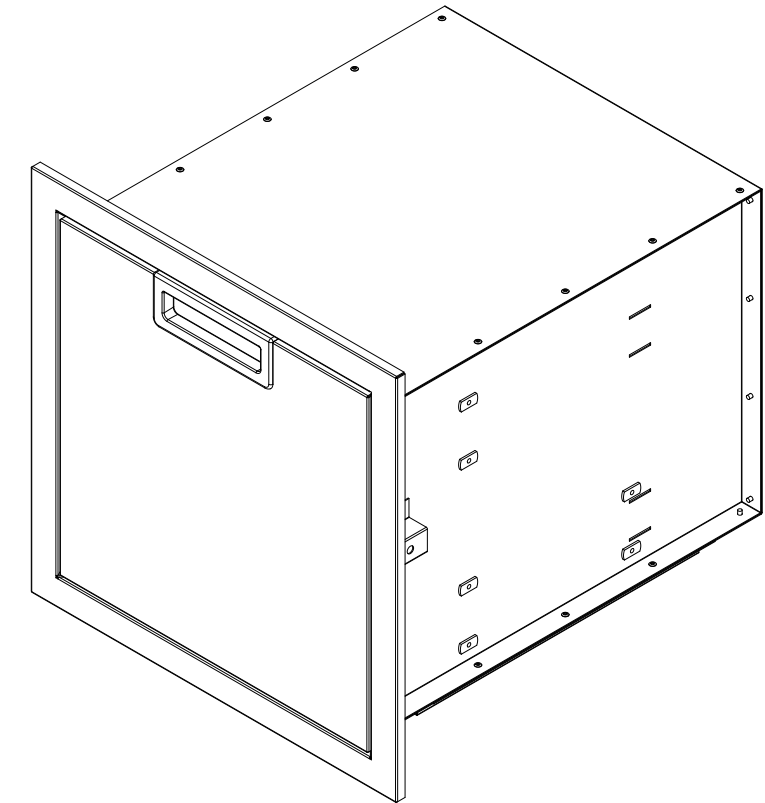
TITLE **Infinite Built-In Storage Cabinet-Small**

SIZE B	Customer Crown Verity	DWG NO IBISC	REV -
SCALE 1:8	01/01/2020	SHEET 1 of 2	

REVISION HISTORY			
REV	DESCRIPTION	DATE	APPROVED
-	Engineering Release	01/01/2020	Todd Stone



Dimensions shown are the actual physical dimensions. Additional clearances to the cabinetry are dependent on the tolerances of the cut-out. The suggested cut-out dimensions are listed in the chart below but these dimensions can be reduced if the tolerances are controlled. Please refer to the product manual for installation instructions.



CROWN VERITY

37 Adams Blvd., Brantford, Ontario, N3S 7V8
P: (519) 751-1800 www.crownverity.com

Suggested Cut-out Dimensions	
Height	19.125
Width	18.938
Depth	23.000
Material	SS 304

Dimensions are in inches
Linear Tolerance: +/- .015
Bend Tolerance: +/- .020
Angular Tolerance: +/- 0.5
Radial Tolerance: +/- .005

DRAWN BY: Todd Stone

TITLE **Infinite Built-In Storage Cabinet-Small**

SIZE B	Customer Crown Verity	DWG NO IBISC	REV -
SCALE 1:8	01/01/2020	SHEET 2 of 2	