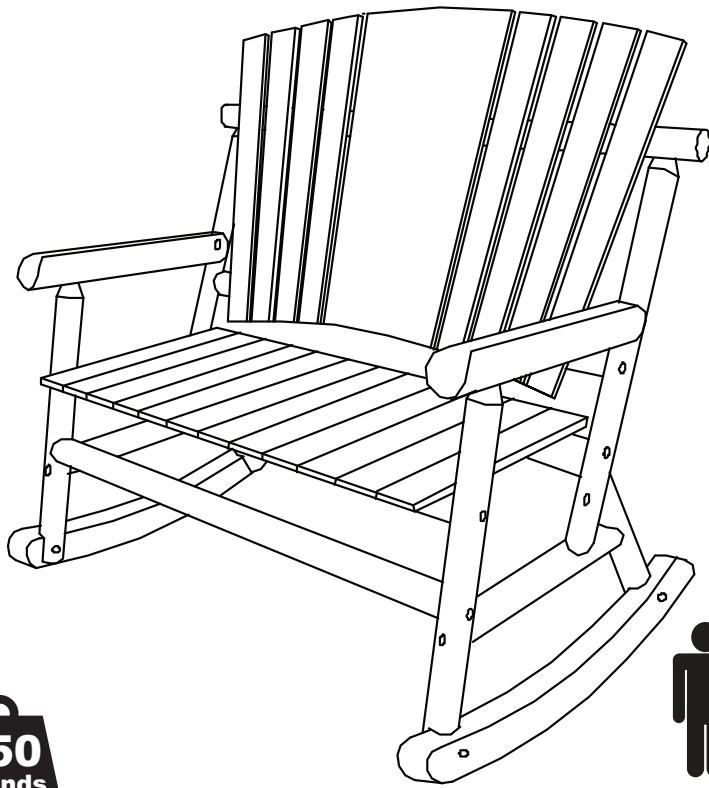


Thank you for choosing Sunnydaze Decor. We stand behind our brand and the quality of the items we sell. Replacement parts or products will be sent at our discretion within the 1-year warranty period. Proof of purchase, with the date of purchase as well as photos of the merchandise defect, must be provided. Photos are used to determine the cause of defects and for future quality control. Register your warranty at <https://tiny.cc/SunnydazeWarranty>. If you have any questions, comments or concerns, feel free to contact us by phone at 833-982-1977, by email: customerservice@sunnydazedecor.com, or via our contact us page at <https://tiny.cc/SunnydazeContact>

LOG CABIN ROCKING LOVESEAT

IEO-525

Read all assembly and care instructions carefully before using this product. Save this manual for future reference.
Assemble components on a soft, clean surface to avoid scratching or damaging the finish.



550
pounds
249 kg

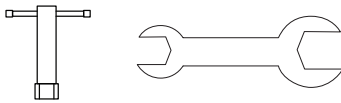


Inspect packaging to ensure all parts are accounted for before disposing of packing materials.

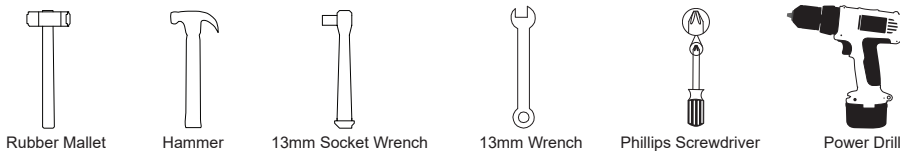
NOTE: Wood is a natural product. Checking (cracks that run the length of a log) is a normal feature of log furniture and is not a structural problem. Checking is part of what gives wood furniture a true rustic appearance.

TOOLS

INCLUDED:



RECOMMENDED (NOT INCLUDED):



Rubber Mallet

Hammer

13mm Socket Wrench

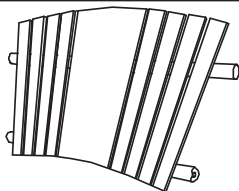
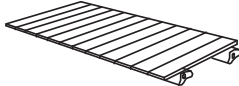
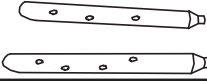
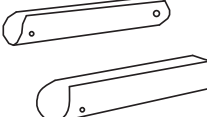

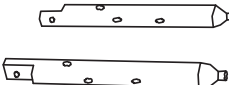
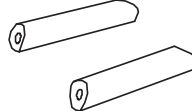

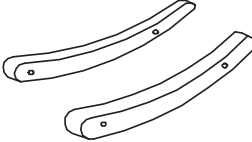




13mm Wrench

Phillips Screwdriver

Power Drill

WARNING

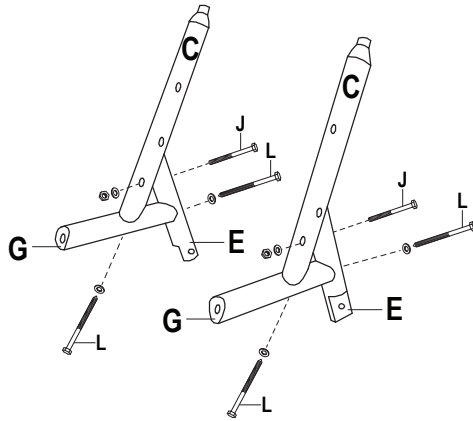
CHOKING HAZARD — This item contains small parts that can be swallowed. Keep children away during assembly.

No.	PARTS	QTY.
A	 Back Panel	1
B	 Seat Panel	1
C	 Back Beam Set	1
D	 Arm Set	1
E	 Back Leg Set	1
F	 Front Leg Set	1
G	 Leg Brace Set	1
H	 Front Beam	1
I	 Feet Set	1
J	 120mm Bolt Set	2
K	 80mm Bolt Set	4
L	 Lag Bolt Set	16
M	 Screw	6

ASSEMBLY

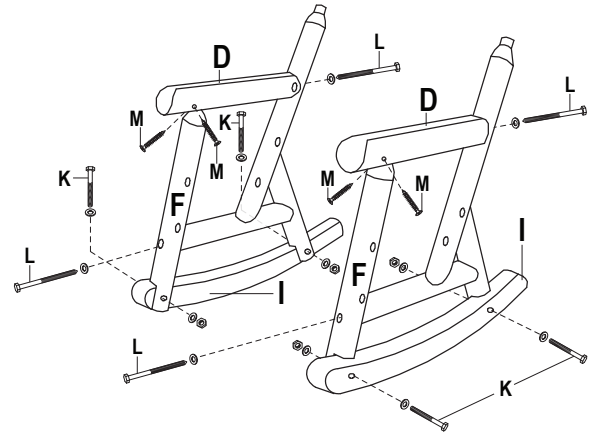
STEP 1

C: 2
E: 2
G: 2
L: 4
J: 2



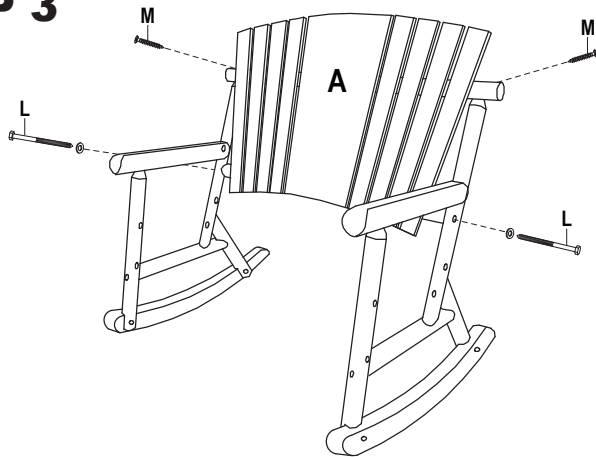
STEP 2

D: 2
F: 2
I: 2
L: 4
M: 4
K: 4



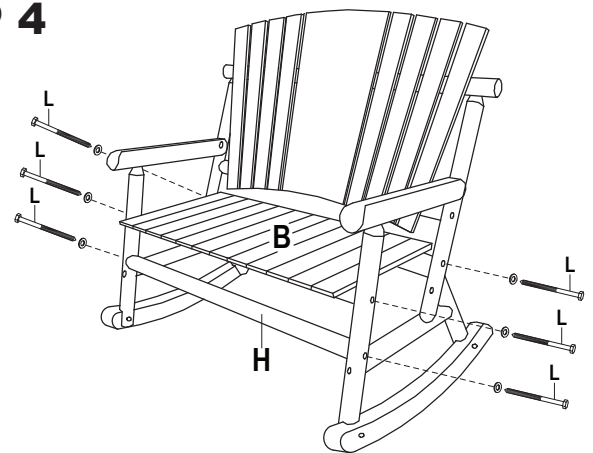
STEP 3

A: 1
M: 2
L: 2



STEP 4

B: 1
H: 1
L: 6



General Use & Care

SAFE USE: For residential use only. Only use on a flat, level surface. Do not sit or stand on the table.

MOVING: Always lift furniture when moving it around, never drag it.

INSPECT: Periodically check bolts and tighten as necessary.

EXPOSURE: Over time, sunlight and weather elements may degrade and change the color of natural wood. Avoid leaving wooden furniture in the rain or high-humidity climates as wood expands and contracts with moisture and humidity changes. If this item is not used for extended periods, cover it with a breathable cover or store it indoors.

WINTER CARE & STORAGE: Protect this item from inclement weather, especially ice and snow. Move it to an indoor location that is cool and dry. Covering while in storage is recommended to help prevent dust build-up.

CLEANING: Identify the direction of the woodgrain and wipe dust and debris using a soft, dry cloth. Surface mildew can be washed away using a very mild solution of soap and water and a soft cloth; after drying, oil treatment is recommended.

! SAFETY STATEMENTS & WARNINGS !

- For residential use only. Not intended for commercial or industrial use.
- This product was designed for gentle rocking; forceful rocking may result in injury, damage or break the product.
- Supervise children and pets while this item is in use.
- Periodically check to ensure hardware is secure.
- Never use a pressure washer, harsh chemicals or abrasive materials to clean the unit.
- Use caution when operating power tools; power tools are not required for assembly.

Any modification to the product or failure to follow recommended care will void the product warranty.