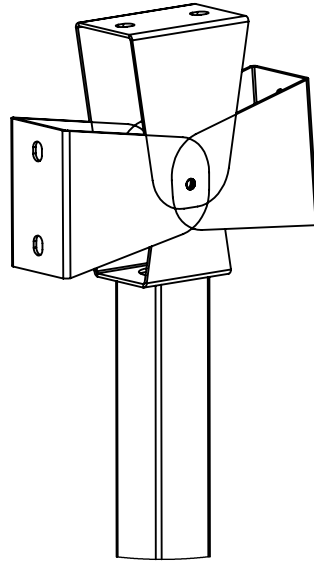
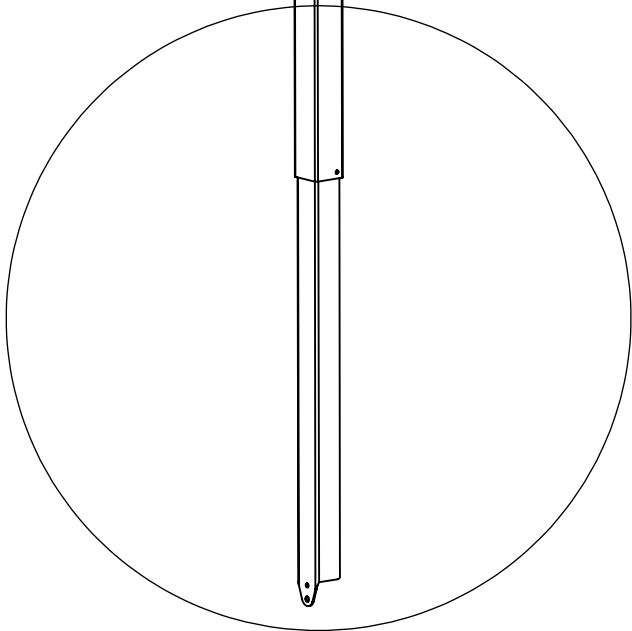


A



DETAIL A

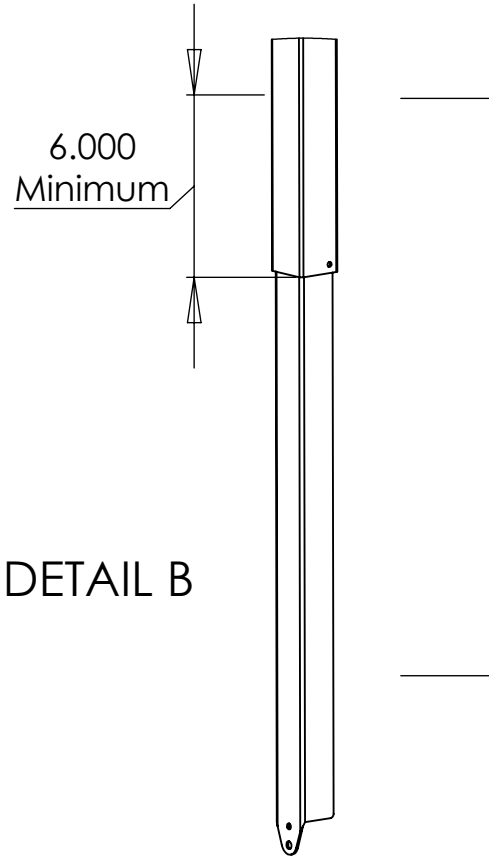


B

NOTE: Maintain 6.00" (minimum) of Channel length inside the Down Tube.

Use the provided (x2) No.8 x .500" Self-Drilling/Tapping Screws to lock Channel to desired length.

It is recommended that you do the above step prior to running power or conduit to prevent damage and possible electrical shock.



DETAIL B

Ability To Extend