



Thank you for choosing Sunnydaze Decor. If you have any questions, comments or concerns please feel free to contact us by phone at: **888-881-4668**, by email: customerservice@serenityhealth.com, or you could also email us via our contact us page at: www.SerenityHealth.com/contact_us.php.

We stand behind our brand and the quality of the items we sell. We will send new parts, or replace products at our discretion within the one year warranty period. Before we can help, you will need to provide proof of purchase with the date of purchase and photos of the defective merchandise. We will use the photos to determine the cause of defect and for future quality control.

ASSEMBLY INSTRUCTIONS SHEET

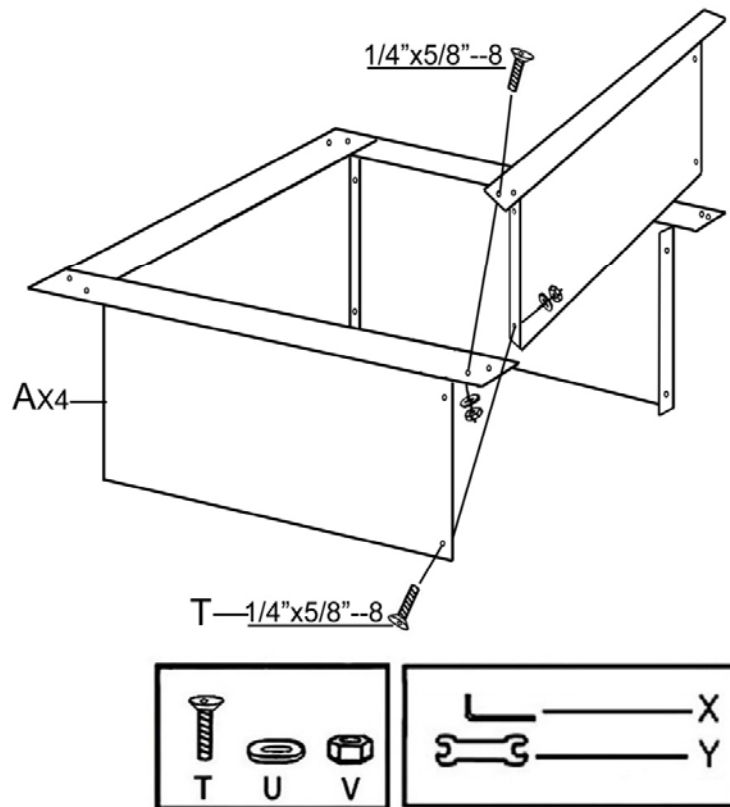
Item No. KF-SHDFPR Square Heavy Duty Fire Pit Rim-Make Your Own In-Ground Fire Pit

Prior to assembly, please read these instructions carefully. We suggest you carry out assembly on a soft surface so as to avoid scratching the paint.

- * Do not discard any of packaging until you have checked that you have all parts and pack of fittings.
- * Keep children away during assembly. This item contains small parts which can be swallowed by children.
- * Retain the assembly instructions for future reference.

Part list:

NO.	Parts	Qty.
A	1/4 Piece Fire Ring	4
T	Bolt (1/4" X 5/8")	16
U	Washer	16
V	Nut	16
Y	Wrench	1
Z	Poker	1



Assembly Instructions:

Tools required:wrench(Y) provided in package.

DO NOT FULLY TIGHTEN THE BOLTS BEFORE ASSEMBLING THE BASE

- 1.Put the 1/4 Piece Fire Rings(A) on the soft surface .
2. Assemble the first 1/4 Piece Fire Rings(A) to the second 1/4 Piece Fire Rings(A) with 4 bolts(T) , 4 washers(U)and 4 nuts(V).please do not tighten.
- 3.Repeat step 2,assemble the rest 2x 1/4 Piece Fire Rings(A),then tighten all the bolts.

WARNING:

1.FOR OUTDOOR USE ONLY! NEVER LEAVE FIRE UNATTENDED!

- 2.Supervise children and pets when the fire ring is in use.
- 3.The fire ring is not designed for cooking or grilling food.
- 4.**DO NOT** use this unit on a wood deck or on combustible surface such as dry grass, leaves,mulch,etc,and place it no closer than2 feet from walls during use.

CAUTIONS:

- 1.Burn only wood or charcoal in the fire ring. DO NOT use gasoline or kerosene to start the fire in your fire ring.

Light the fire using a match or lighter.

2. **Do not** touch the outside of your fire ring while it is in use.
3. Use the poker to move the handle of the fire ring during use.
4. Always have a fire extinguisher handy when burning.
5. **Do not** extinguish your fire ring with water. The water may cause distortion, rusty or flaking paint. Use fire extinguisher or allow attended fire to die out on its own.
6. **Do not** use in inclement weather.

Care And Maintenance:

1. To extend the life of your fire ring, clean the fire ring after each use and cover the unit to protect it from the elements.
2. To maintain the finish, clean the surface by using a soft cloth. Do not use a metal brush.
3. If metal is scratched, the fire ring may need touch up painting. Ask your local paint store representative which paint is best for your type of fire ring. To prevent rusting, coat the exposed surface immediately.
4. Although fire ring in general do well in adverse weather conditions, store it in an enclosed structure during the off-season.
5. **It is recommended that rain cover protected chimeneas/fire pits from the rain when not in use.**