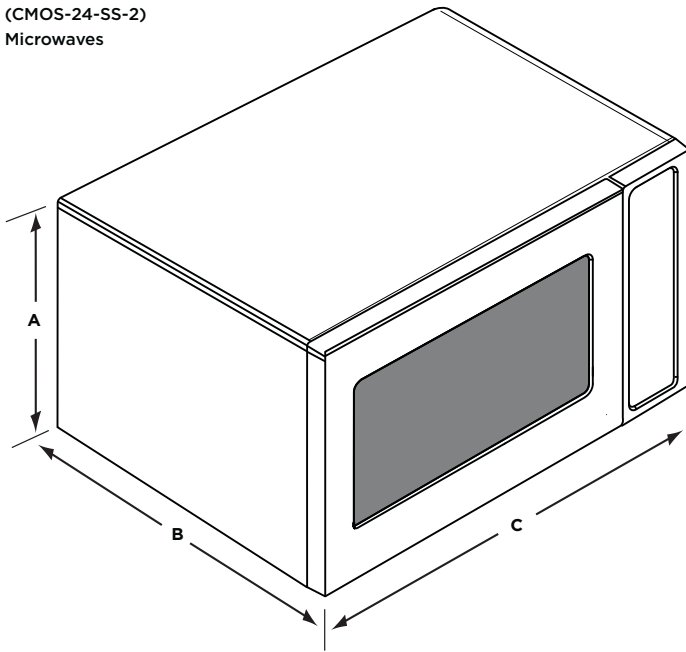




Traditional, Convection Microwave Product Dimensions

MO-24-SS-2, CMOS-24-SS-2

Traditional (MO-24-SS-2)
and Convection
(CMOS-24-SS-2)
Microwaves



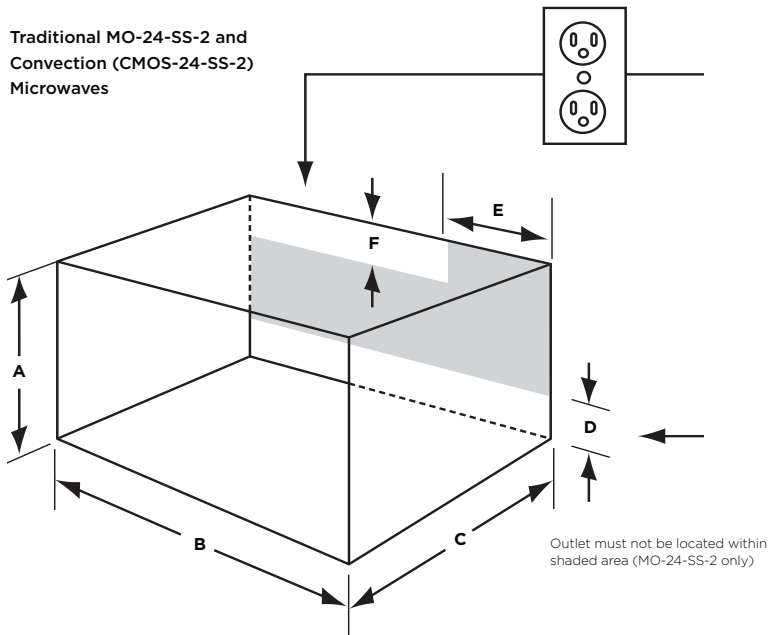
Product Dimensions (inches)

		MO-24-SS-2	CMOS-24-SS-2
A	Height of product	13 - $\frac{3}{8}$ "	14 - $\frac{7}{8}$ "
B	Depth of product	19 - $\frac{1}{8}$ "	19"
C	Width of product	24"	24 - $\frac{5}{8}$ "



Traditional, Convection Microwave Cabinetry Dimensions

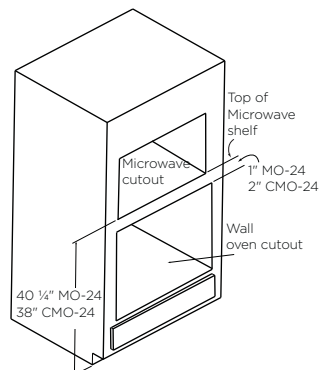
MO-24-SS-2 with MOTTK-30 Trim Kit, CMOS-24-SS-2 with CMOTTK-30 Trim Kit



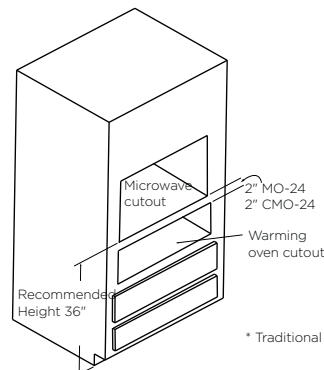
Cabinetry Dimensions (inches)

	MO-24-SS-2 with MOTTK-30 Trim Kit	CMO-24-SS-2 with CMOTTK-30 Trim Kit
A Height of cabinet cutout	17" + 1/16", -0	19 3/16" + 1/16", -0
B Width of cabinet cutout	24 3/4" + 1/16", -0	25 3/4" + 1/16", -0
C Depth of cabinet cutout	min 20"	min 20"
D Location of outlet (bottom of cabinet)	4"	N/A
E Outlet must be located outside this area	6"	N/A
F Location of outlet (top of cabinet)	4"	N/A

Over Oven installation*



Over Warming Oven installation*



* Traditional (MO-24-SS-2) and convection (CMO-24-SS-2) microwaves only