



Built-in Drawer Cabinet Installation Instructions

Prepare Cabinet Rough Opening:

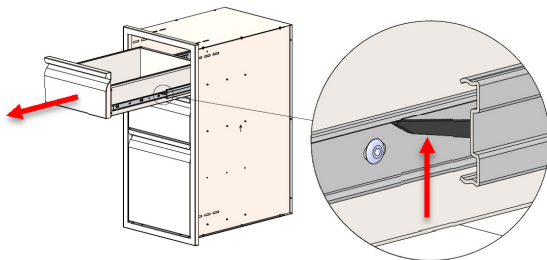
Prepare the rough opening using the dimensions in the following table. The opening should be plumb, level and square.

	15" Wide Cabinet VGC15XXX	21" Wide Cabinet VGC21XXX	Lower Drawer Pro VGC30LD1	Lower Drawer Elite VGC42LD1
Rough Opening Height	29-1/8"	29-1/8"	11-5/8"	11-5/8"
Rough Opening Width	14-3/8"	20-3/8"	27-3/4"	40-1/8"
Rough Opening Depth	21-1/8"	21-1/8"	21-1/8"	21-1/8"

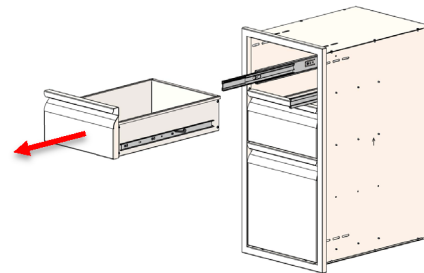
Remove Drawers:

Remove the drawers to gain access to the cabinet mounting holes. Fully extend the drawers and press the black lever upwards on the right hand side of the drawer and downwards on the left hand side. While pressing the levers pull the drawer out of the cabinet and set the drawers aside.

1) Open drawers and release the drawer slides



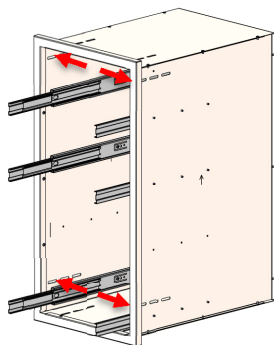
2) Remove drawers from cabinet



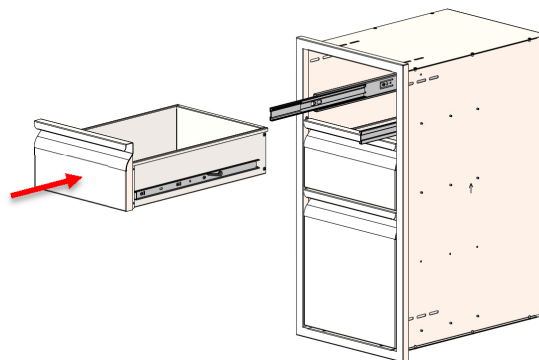
Install Cabinet:

Install the cabinet into the prepared rough opening. Ensure that the cabinet is plumb, level and square in the opening and fasten the cabinet to the structure. Use a minimum of four fasteners that are appropriate for the structure's material. Once installed, double check that the cabinet is still plumb, level and square. Reinstall the drawers by aligning the slides on the drawer with the slides in the cabinet. Push the drawer back into the closed position.

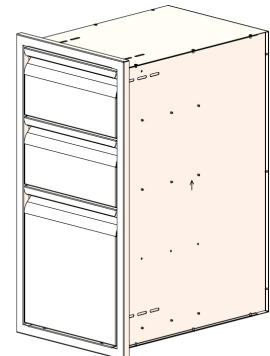
3) Fasten cabinet to structure



4) Reinstall Drawers



5) Close Drawers



Refer to the built-in grill installation instructions for controller installation in cabinetry with the controller mounting feature.