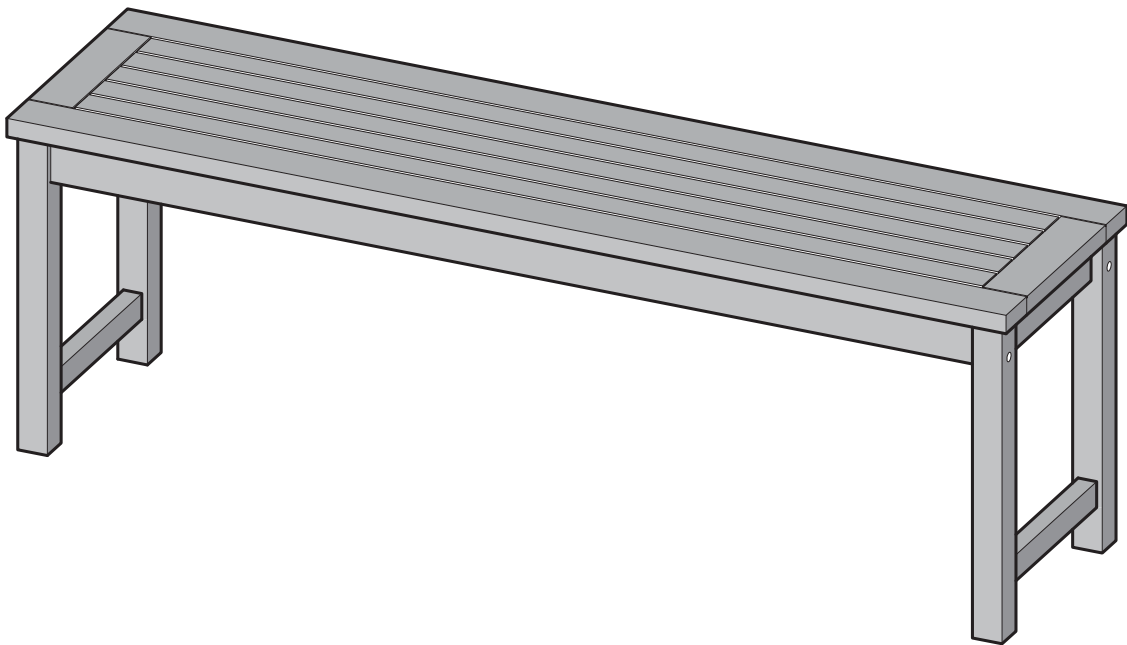


**WE** Walker<sup>®</sup>  
Edison  
furniture company

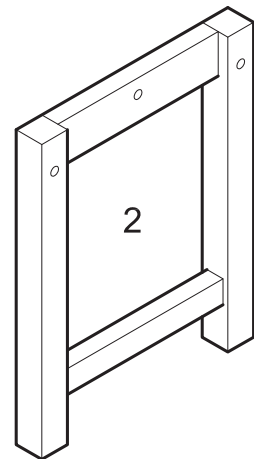
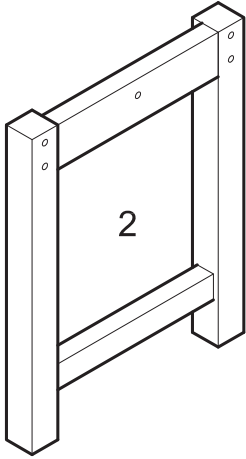
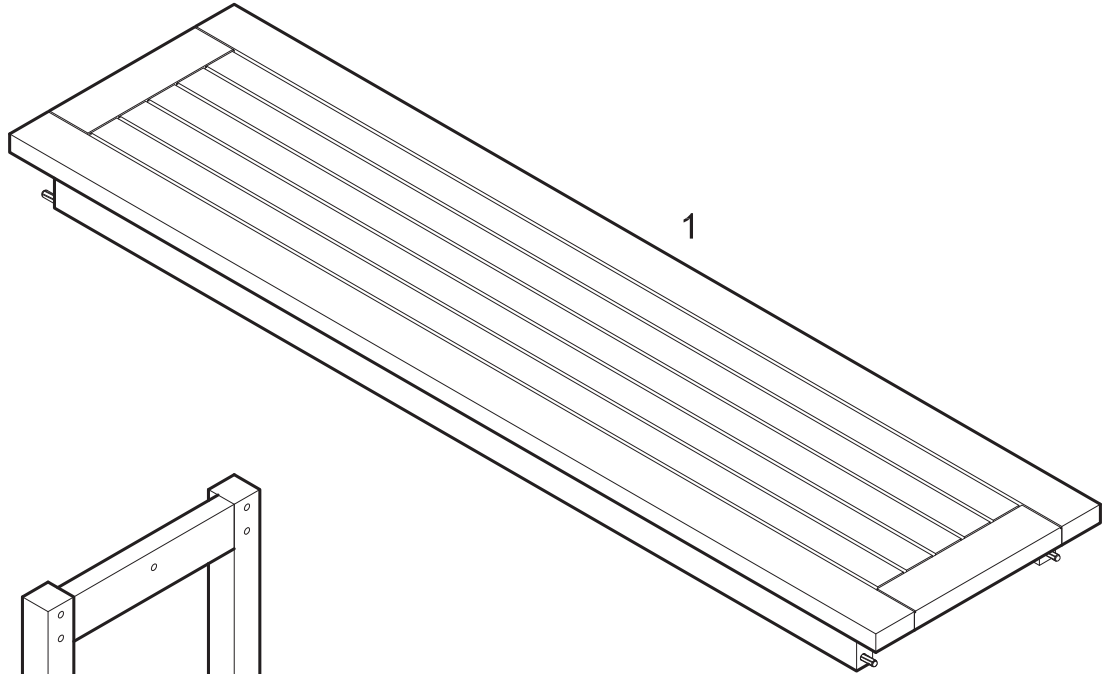
Item # : OWB7SBR  
Assembly Instructions







*To request missing, lost or broken parts , or for any other customer service issues,  
please visit our website at [www.walkeredison.com](http://www.walkeredison.com) or call us at 877-207-5906.*

Revised 08/2016

# Parts List

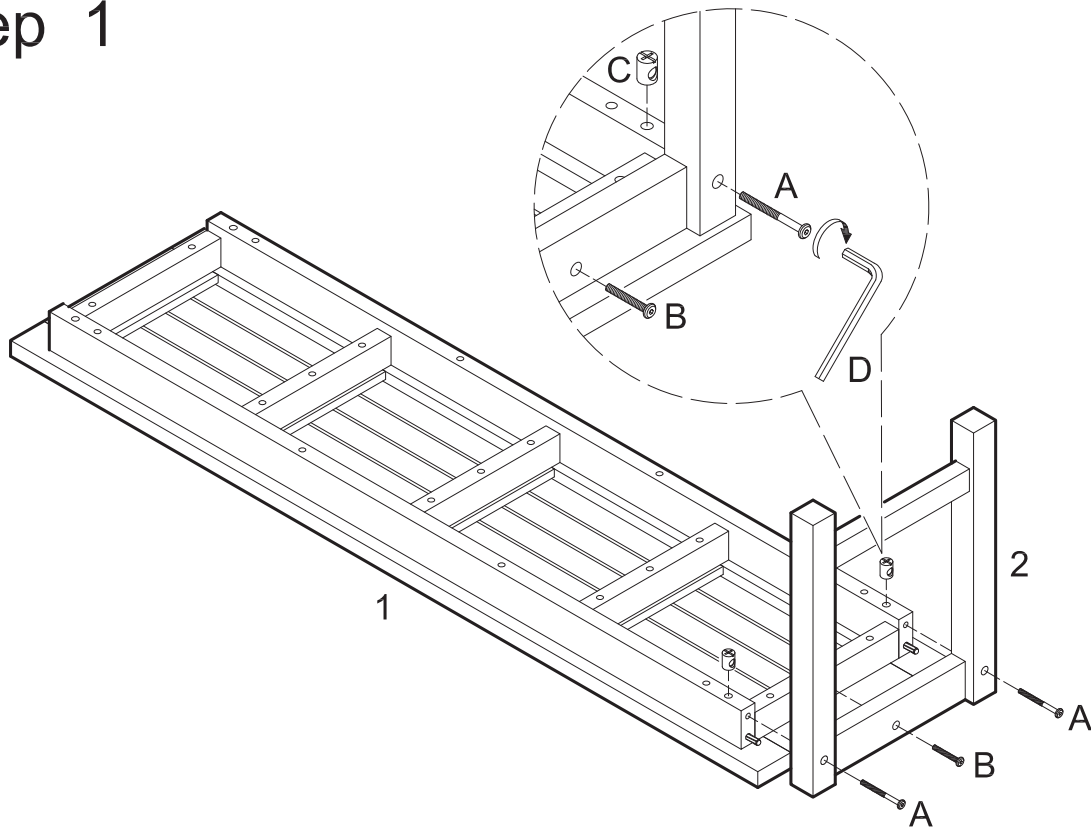


# Hardware List

A		Ø8*82(mm)	Bolt	4 pcs
B		Ø8*52(mm)	Bolt	2 pcs
C		Ø11*15(mm)	Nut	4 pcs
D		M5(mm)	Wrench	1 pc

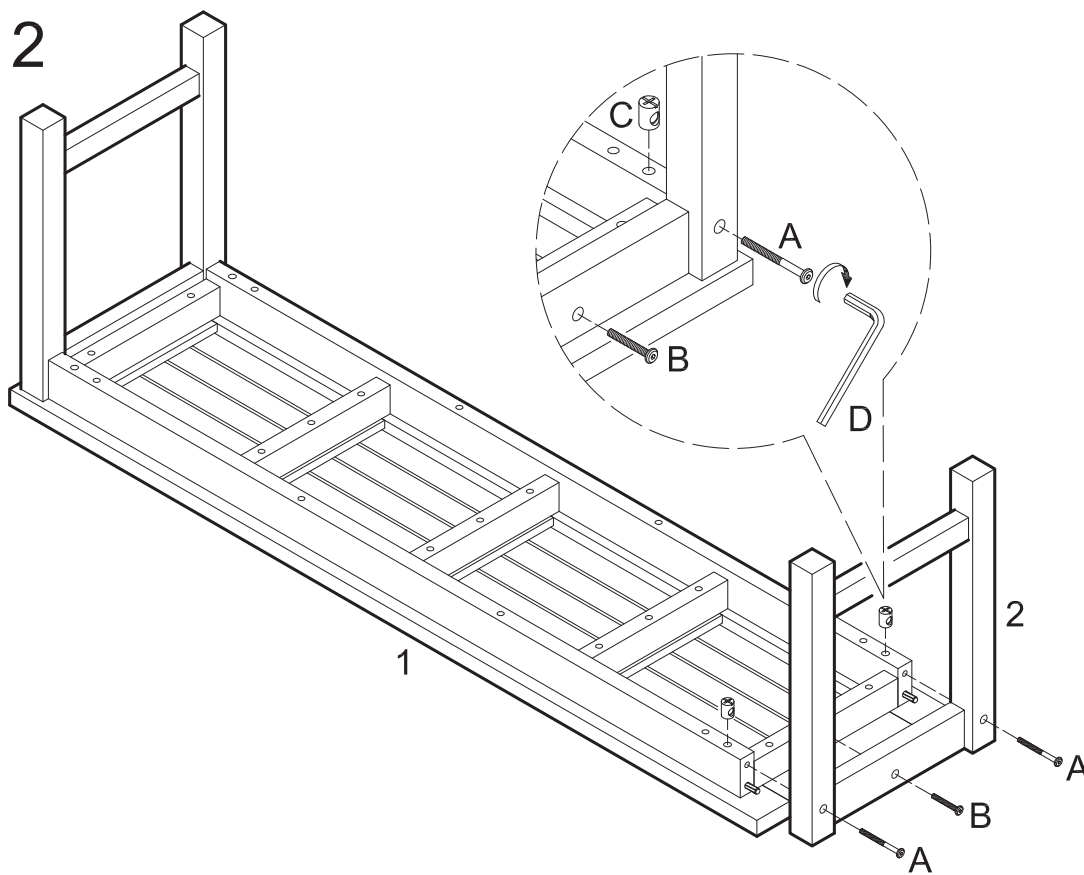
*The hardware quantities listed above are required for proper assembly.  
Some extra hardware may also have been included.*

# Step 1



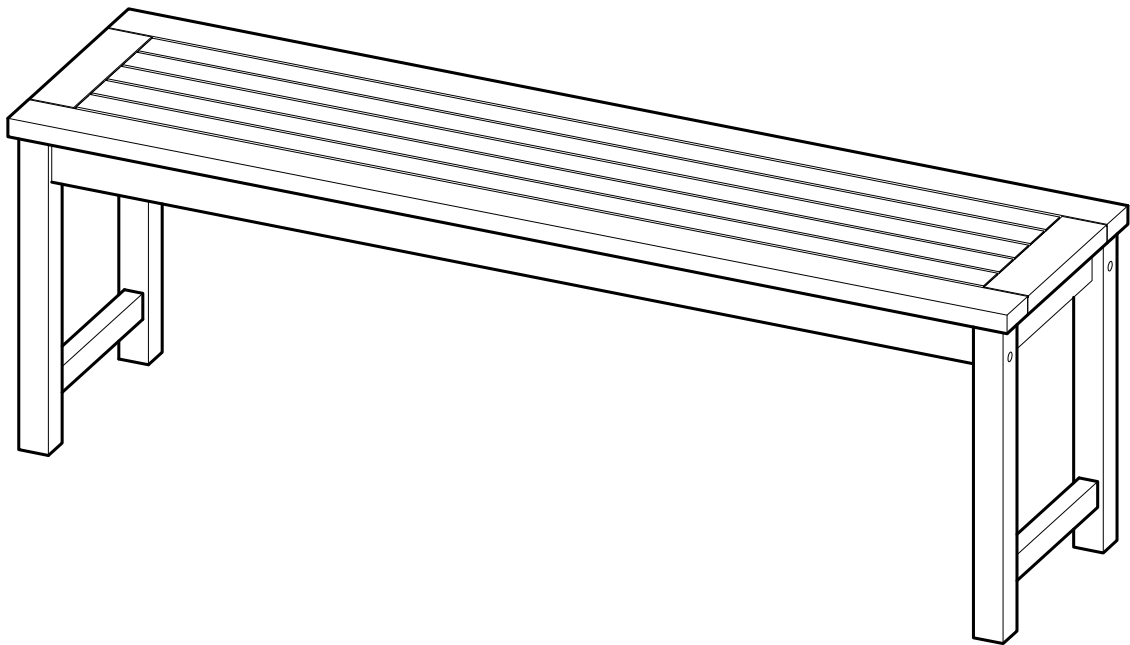
Insert barrel nuts (C) into bench seat (1). Attach leg set (2) to bench seat (1) using bolts (A,B). Bolts (A) will screw directly into barrel nuts (C). Tighten all bolts with wrench (D).

# Step 2



Insert barrel nuts (C) into bench seat (1). Attach leg set (2) to bench seat (1) using bolts (A,B). Bolts (A) will screw directly into barrel nuts (C). Tighten all bolts with wrench (D).

# Step 3



## Final Assembly