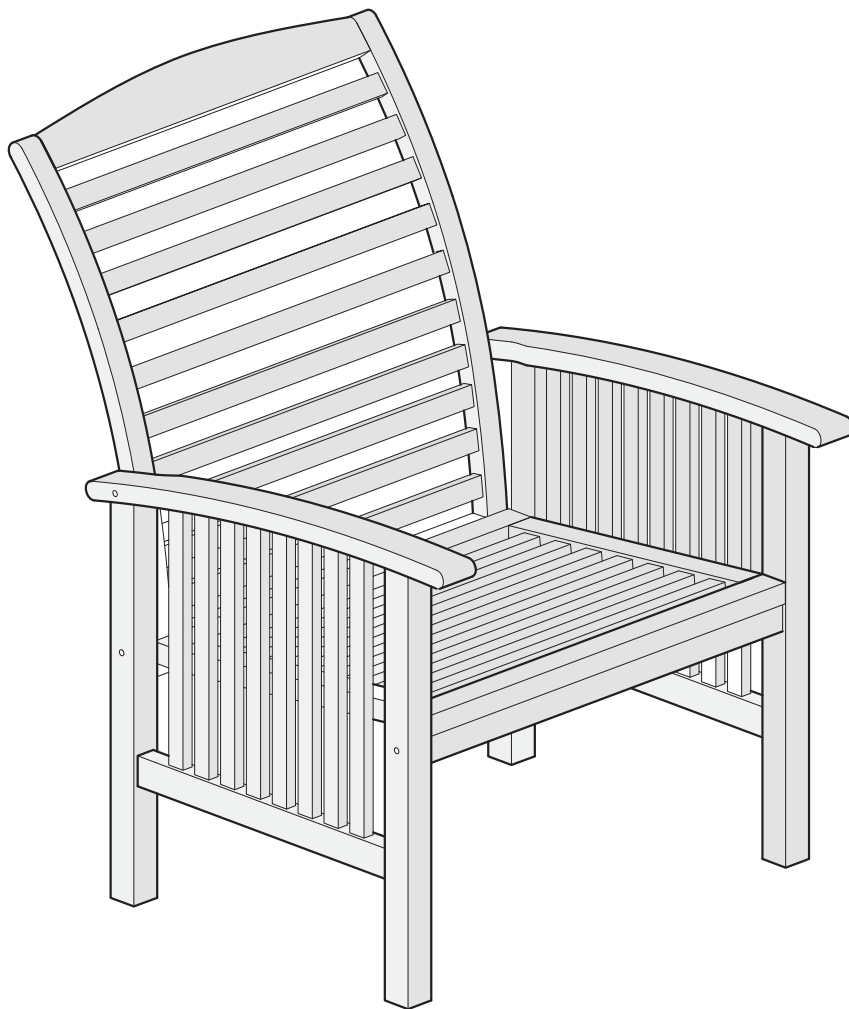


W Walker
E Edison
furniture company

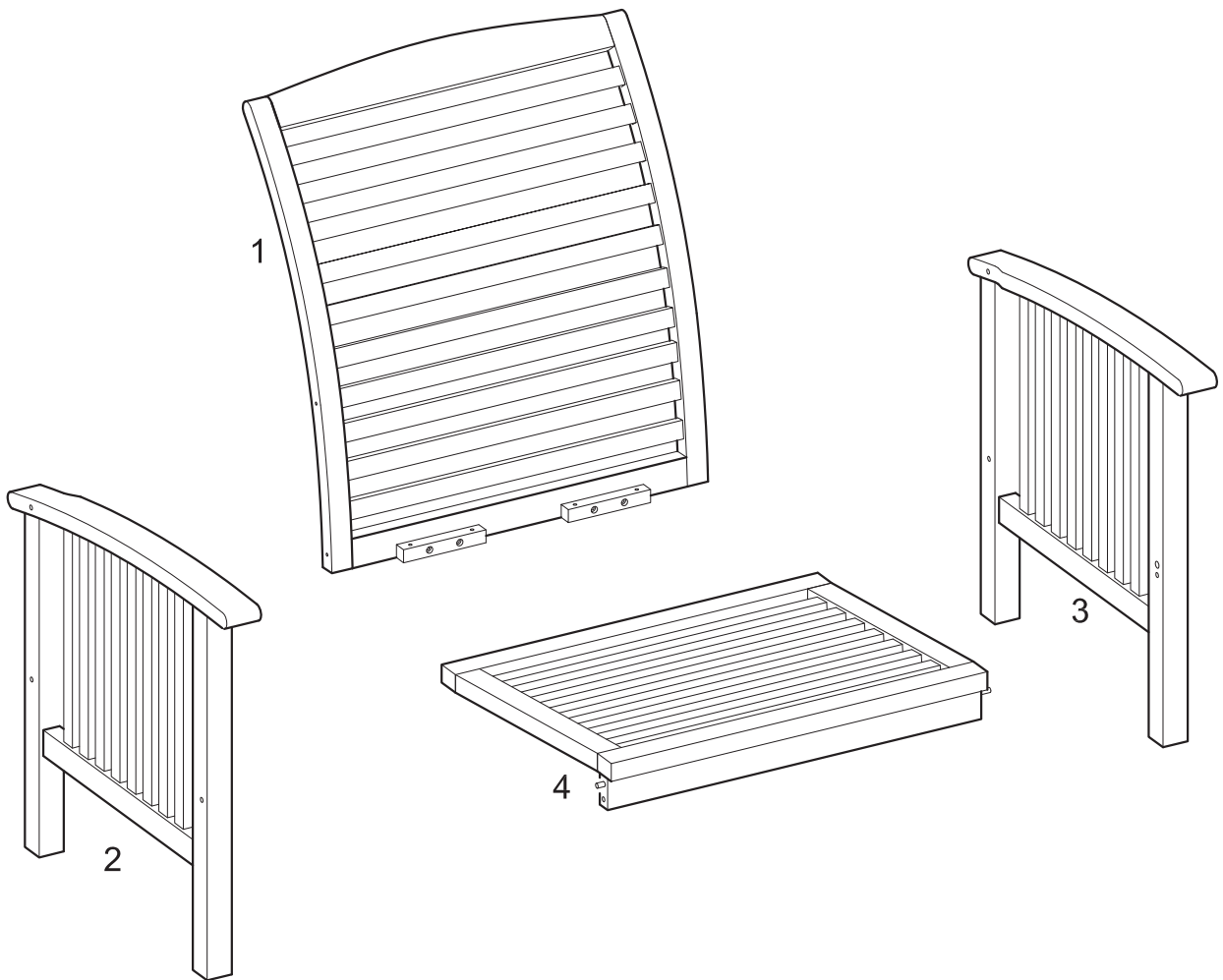
Item #: OWC2
Assembly Instructions



For our most current instructions, to request missing, lost or broken parts, or for any other Customer Service issues, please visit our website at www.walkerredison.com or call us at 877-207-5906.

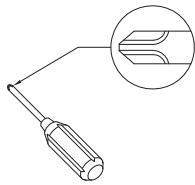
Revised 02/2012

Parts List



Hardware List

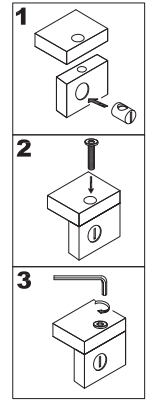
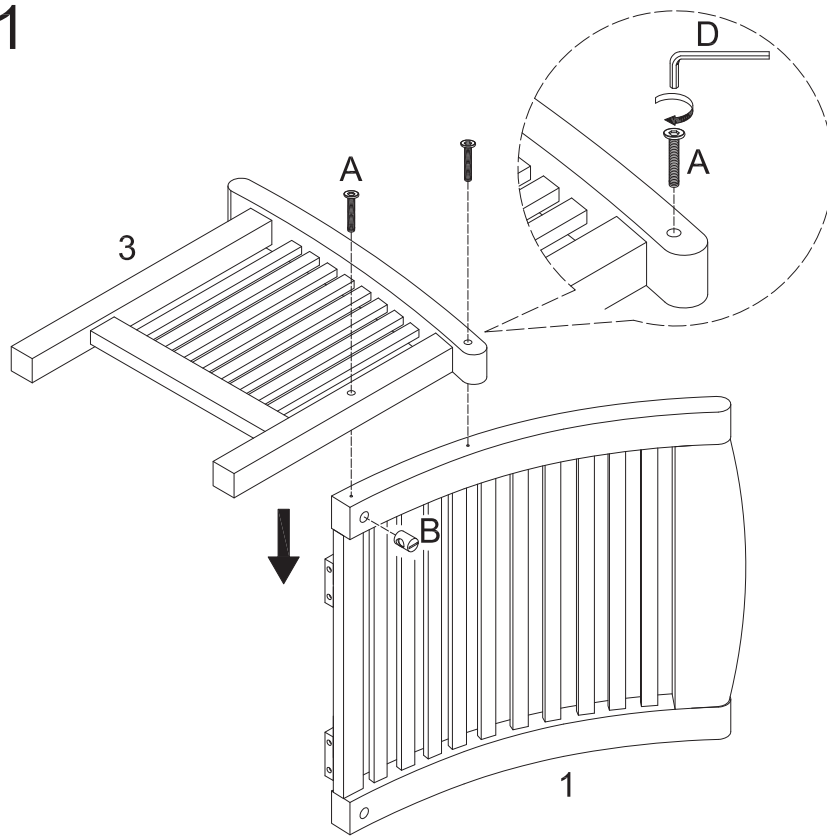
| | | | | |
|---|---|---------|------------|-------|
| A |  | Ø8x80mm | Bolt | 6 pcs |
| B |  | | Barrel nut | 4 pcs |
| C |  | Ø4x30mm | Screw | 4 pcs |
| D |  | | Wrench | 1 pc |



Phillips head screwdriver required for assembly
(not included)

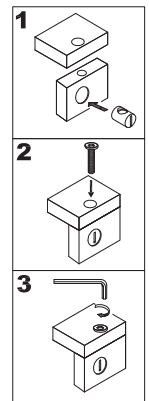
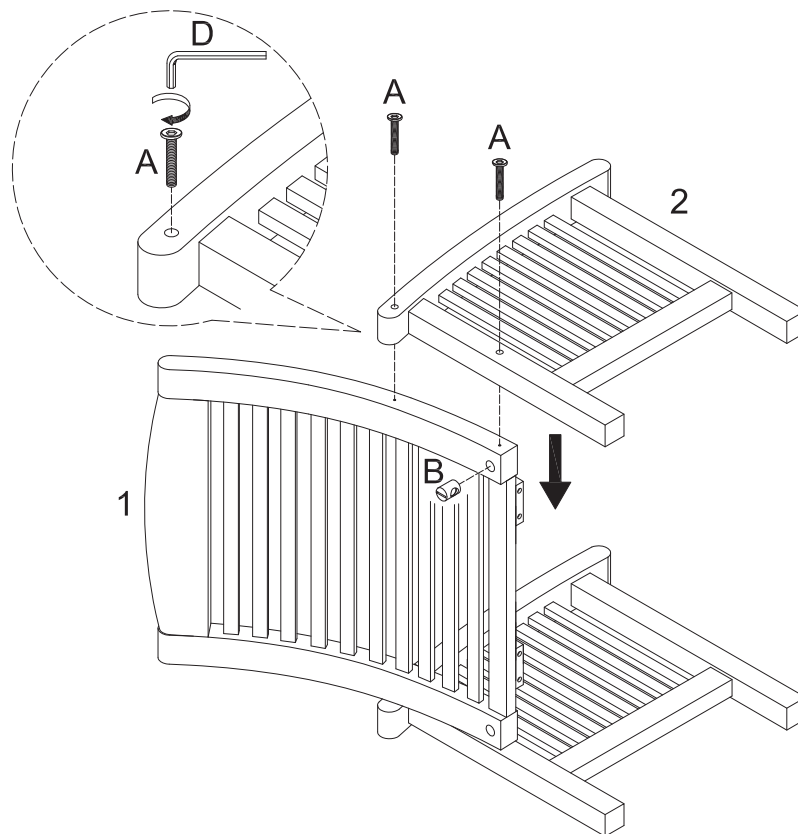
*The hardware quantities listed above are required for proper assembly.
Some extra hardware may also have been included.*

Step 1



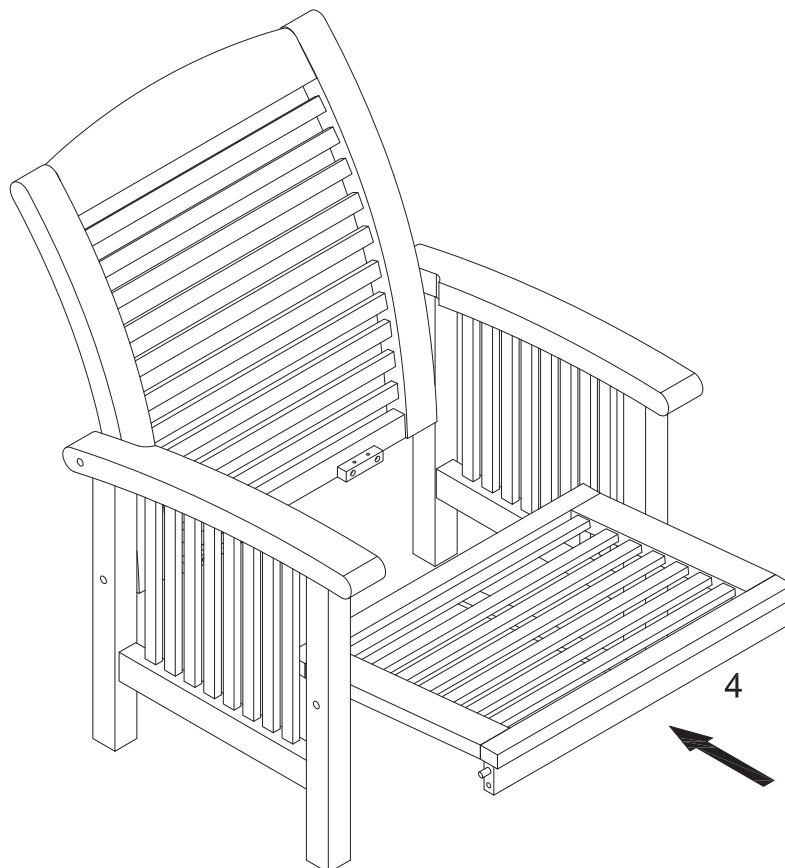
Insert barrel nut (B) into chair back (1). Attach chair side (3) to chair back (1) using bolts (A). Tighten bolts (A) with wrench (D).

Step 2



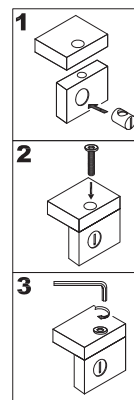
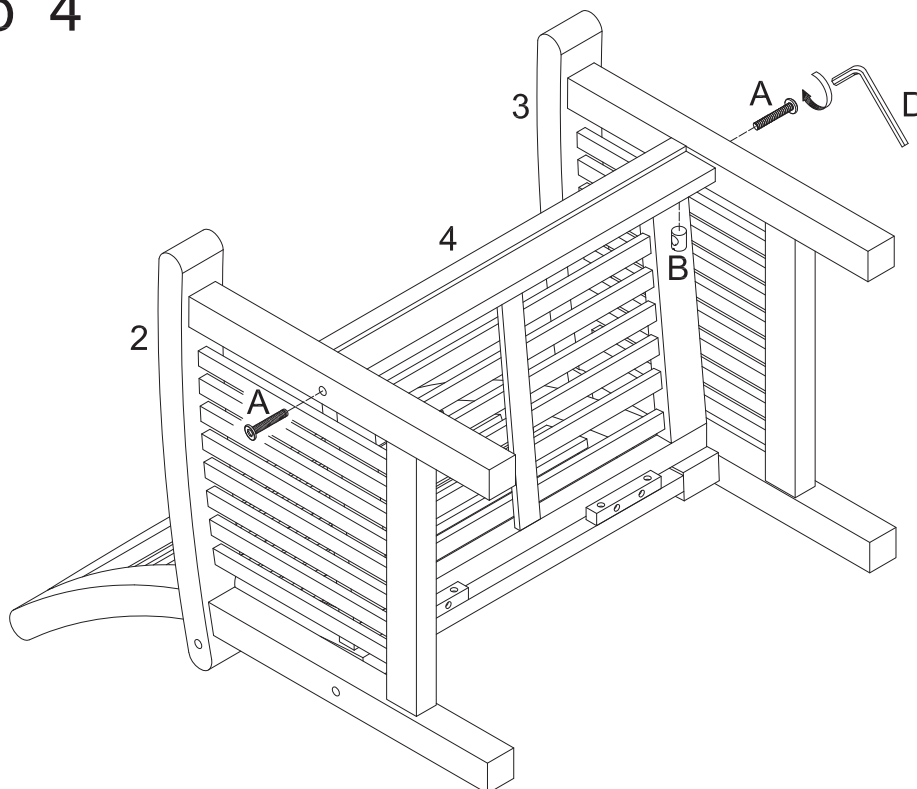
Insert barrel nut (B) into chair back (1). Attach chair side (2) to chair back (1) using bolts (A). Tighten bolts (A) with wrench (D).

Step 3



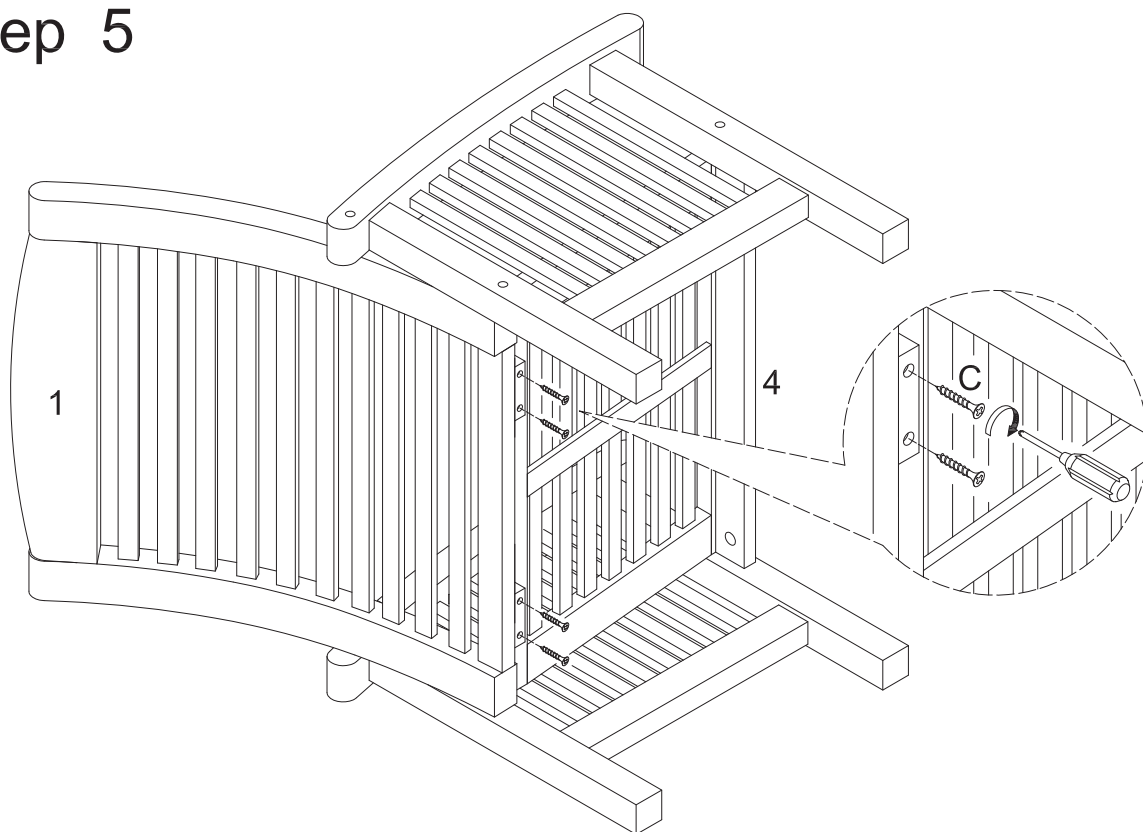
Carefully insert chair seat (4) into the chair assembly.

Step 4



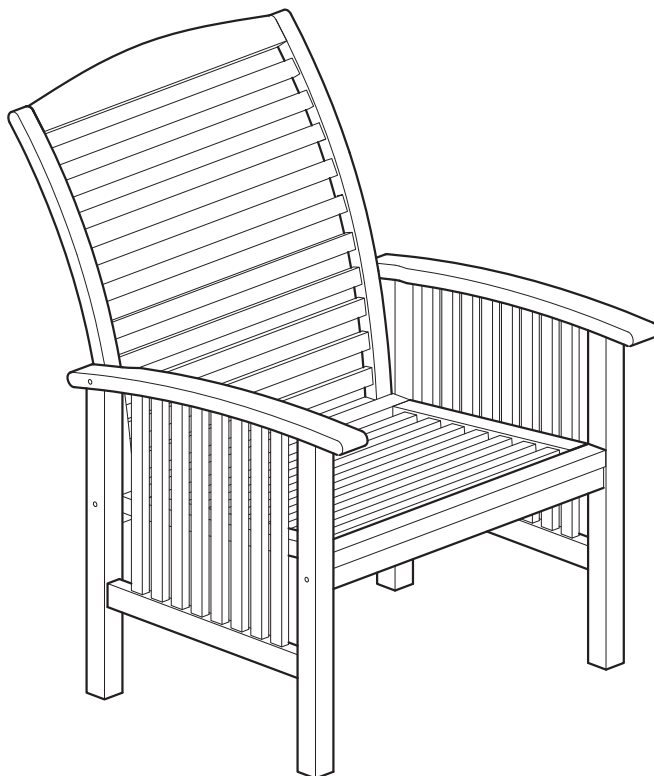
Insert barrel nuts (B) into chair seat (4). Secure chair seat (4) to chair sides (2,3) using bolts (A). Tighten bolts (A) with wrench (D).

Step 5



Secure chair seat (4) to chair back (1) using screws (C). Tighten screws (C) with a screwdriver.

Step 6



Final Assembly