

FEANG1: LP TO NG CONVERSION KIT INSTRUCTION MANUAL

Models FELG21C & FELG21S

FEANG1 includes the following components:
 1 - 10 foot 3/8" ID gas hose with quick connect
 1 - 1.70mm natural gas orifice for Outer Burner
 1 - 1.06mm natural gas orifice for Inner Burner

Connection: Operating pressure: 7.0" W.C.

Fuego Living LLC
 5042 Wilshire Blvd #29997
 Los Angeles, CA 90036
 888-88-FUEGO
 info@fuegoliving.com

Check with your local gas utility company or with local codes for instructions on installing gas supply lines. Be sure to check on type and size of run, and how deep to bury the line. If the gas line is too small, the grill will not function properly. Any joint sealant used must be an approved type and be resistive to the actions of natural gases. (This type of connection should be performed by a certified or licensed technician only.)

Assembly Instructions:

- 1) Assemble as shown below (FIG. 01). Remove the front door. Use a pipe wrench to hold the grill inlet pipe to avoid shifting any internal gas lines of the grill. Remove the pre-attached LP gas hose pipe from the inlet fitting of the grill. Attach the 3/8" ID gas hose on.
- 2) Assemble as shown below (FIG. 02) Use screwdriver to remove screws holding burner to grill body by unscrewing counter-clockwise to remove the burner kit.
- 3) Use a wrench to unscrew the LP gas orifice by turning counter-clockwise and replace with natural gas orifice. Use the 1.70mm orifice(Silver) for the Outer Burner ring and the 1.06mm orifice(Brass) for the Inner Burner ring. Note: The natural gas orifice has a larger hole in the center to keep the flow of natural gas consistent.
- 4) After the replacement, properly locate and re-attach the burner kit with respect to the orifices. Adjust the igniter tip located near the burner edge. (FIG. 03)
- 5) Connect the NG hose assembly to fixed NG piping system. (FIG. 04) Turn on gas supply and do the leak testing as the procedures shown on page 26 of main manual. Read all lighting instructions on main manual prior to lighting.
- 6) After the conversion is done, apply the rating plate on the unit.
 - A) The outdoor cooking gas appliance and its individual shutoff valve must be disconnected from the gas supply system during any pressure testing of that system at test pressures in excess of 0.5psi(3.5kpa)
 - B) The outdoor cooking gas appliance must be isolated from the gas supply piping system by closing its individual manual shutoff valve during any pressure testing of the gas supply piping system at test pressures equal to or less than 0.5psi(3.5kpa).

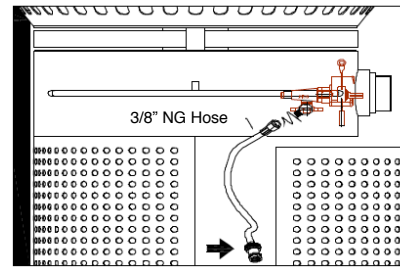


FIG. 01
 (Brass) ORIFICE 1.06MM FOR INNER BURNER

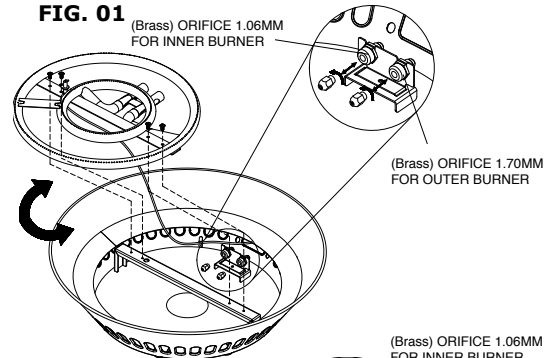


FIG. 02
 (Brass) ORIFICE 1.70MM FOR OUTER BURNER

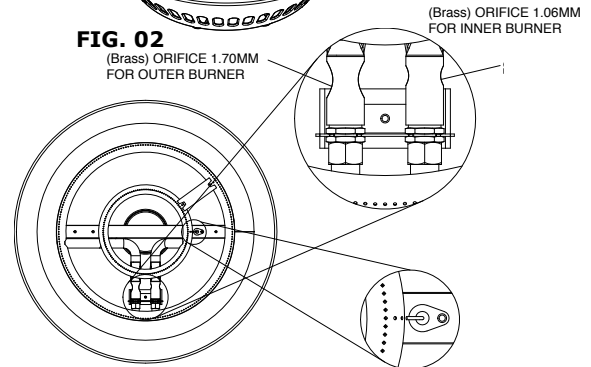


FIG. 03

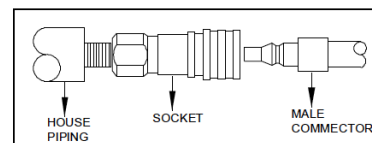


FIG. 04

NOTE: Do not use natural gas orifices with an LP gas tank or LP gas orifices with natural gas. Do gas leakage testing after per conversion. Please note the Gas Hook-Up, Danger, and Warnings pages in the manual for more information.