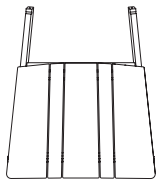


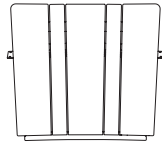
The Low Chair – Assembly

neighbor™ BY POLYWOOD®

Parts



(1) Seat



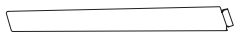
(1) Back



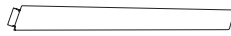
(1) Front Leg Left



(1) Front Leg Right



(1) Rear Leg Left



(1) Rear Leg Right

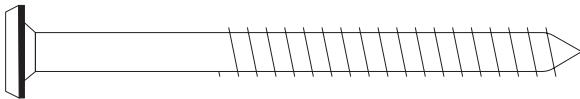


(1) Arm Left

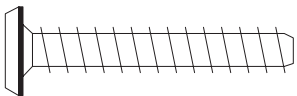


(1) Arm Right

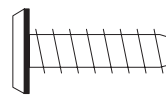
Hardware & Tools



(6) 3" Screw



(2) 1.5" Screw

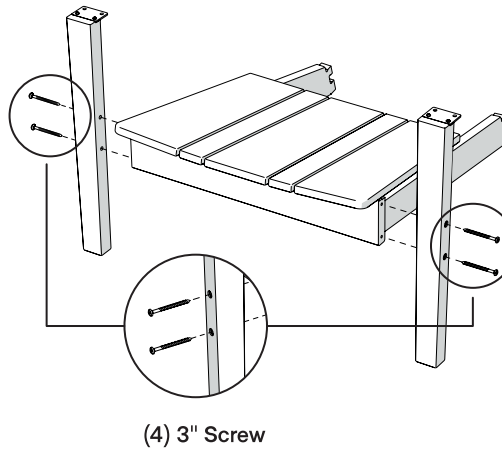


(8) .81" Screw

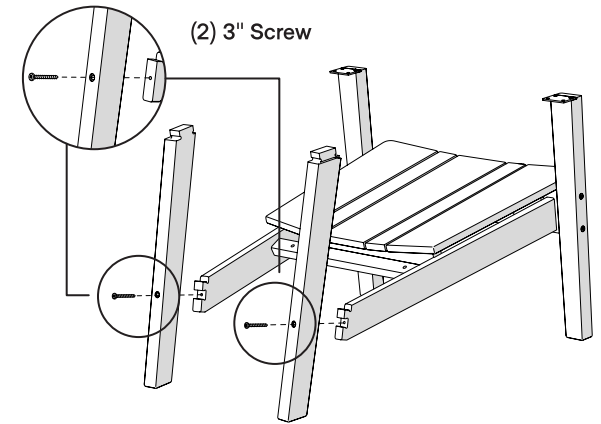


(1) Allen Wrench

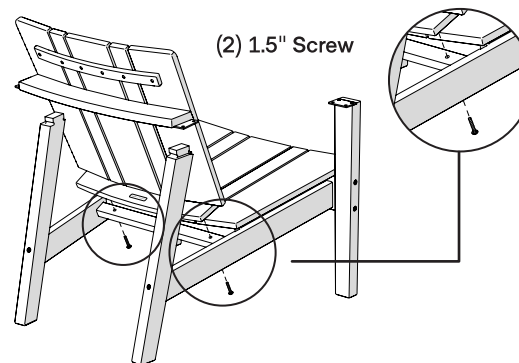
1 Fasten the Front Legs into the seat with four (4) 3" screws as shown.



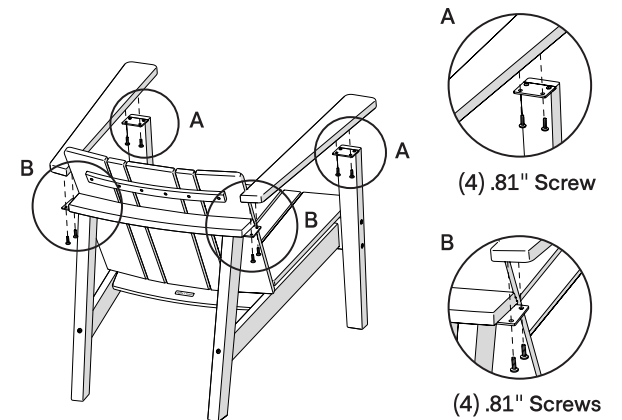
2 Fasten the Rear Legs into the seat with two (2) 3" screws as shown.

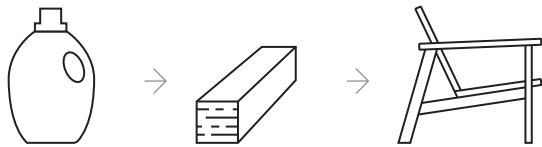


3 Lower the back onto the base and fasten with two (2) 1.5" screws from underneath.



4 Lower both arms onto metal brackets located on both front and back legs. Fasten with eight (8) .81" screws as shown.





Low chair, low waste.

Our Low Chair is made from HDPE — short for “high-density polyethylene” — a durable plastic that’s widely used to make milk jugs, laundry detergent containers, bottle caps, etc. POLYWOOD currently recycles an average of 400,000 ocean-bound and landfill-bound plastic containers and milk jugs per day and transforms them into genuine POLYWOOD lumber.

Cleaning your Low Chair

For a quick clean

Simply wipe down with soap and water.

For a deep clean

Mix 1/3 bleach, 2/3 water and wipe with a clean cloth. Let it sit on the lumber for a few minutes (this will not affect the color). Then, loosen any dirt and debris that may catch in surface grooves with a soft bristle brush; hose down to rinse.

For a high-power clean

Use a pressure power washer (not exceeding 1,500 psi) to spray off dirt and debris. Apply a 1/3 bleach and 2/3 water solution and scrub with a soft bristle brush. Hose down to rinse.

20-Year limited warranty

Great news! Your Low Chair warranty is already activated, no need to send anything in. Located on the bottom of each item is a sticker with a serial number. Please keep this number for your records.

View our full warranty: hineighbor.com/pages/warranty

Questions about your furniture?

If you have questions, comments, or feedback please contact us at support@hineighbor.com.