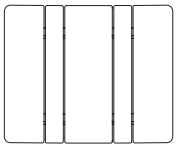


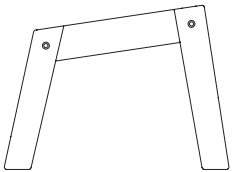
The Low Ottoman – Assembly

neighbor™ BY POLYWOOD®

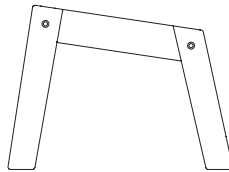
Parts



(1) Top

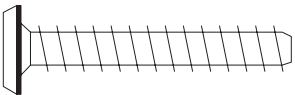


(1) Left Leg



(1) Right Leg

Hardware & Tools



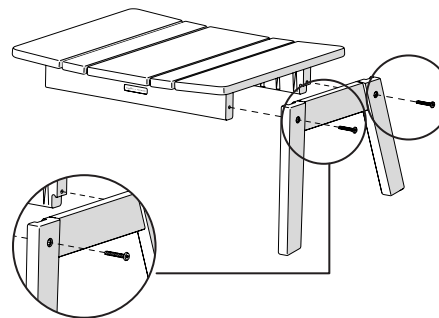
(4) 1.5" Screw



(1) Allen Wrench

1

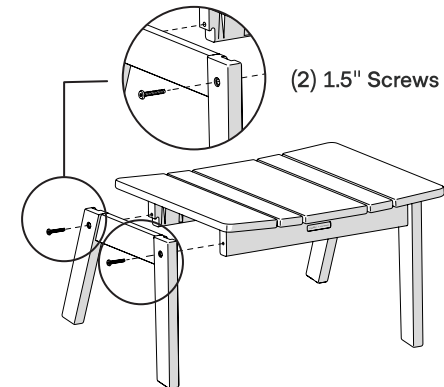
Fasten the Left Leg into the seat with 1.5" screws as shown.



(2) 1.5" Screws

2

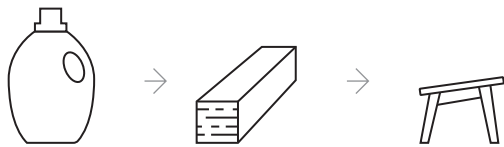
Fasten the Right Leg into the seat with 1.5" screws as shown.



(2) 1.5" Screws

The Low Ottoman

neighbor™ BY POLYWOOD®



Low ottoman, low waste.

Our Low Ottoman is made from HDPE — short for “high-density polyethylene” — a durable plastic that’s widely used to make milk jugs, laundry detergent containers, bottle caps, etc. POLYWOOD currently recycles an average of 400,000 ocean-bound and landfill-bound plastic containers and milk jugs per day and transforms them into genuine POLYWOOD Lumber.

Cleaning your Low Ottoman

For a quick clean

Simply wipe down with soap and water.

For a deep clean

Mix 1/3 bleach, 2/3 water and wipe with a clean cloth. Let it sit on the lumber for a few minutes (this will not affect the color). Then, loosen any dirt and debris that may catch in surface grooves with a soft bristle brush; hose down to rinse.

For a high-power clean

Use a pressure power washer (not exceeding 1,500 psi) to spray off dirt and debris. Apply a 1/3 bleach and 2/3 water solution and scrub with a soft bristle brush. Hose down to rinse.

20-Year limited warranty

Great news! Your Low Ottoman warranty is already activated, no need to send anything in. Located on the bottom of each item is a sticker with a serial number. Please keep this number for your records.

View our full warranty: hineighbor.com/pages/warranty

Questions about your furniture?

If you have questions, comments, or feedback please contact us at support@hineighbor.com.