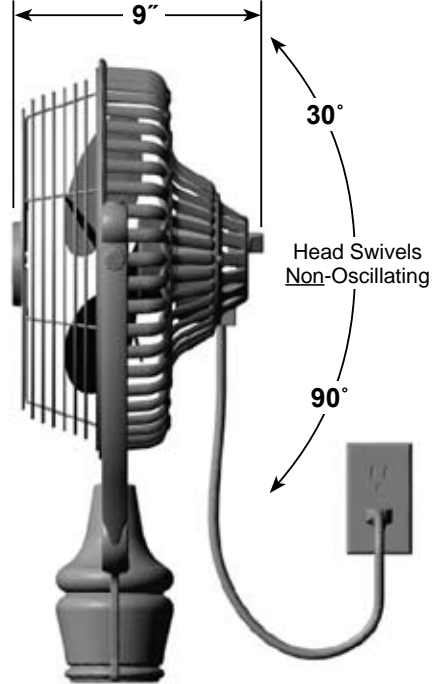
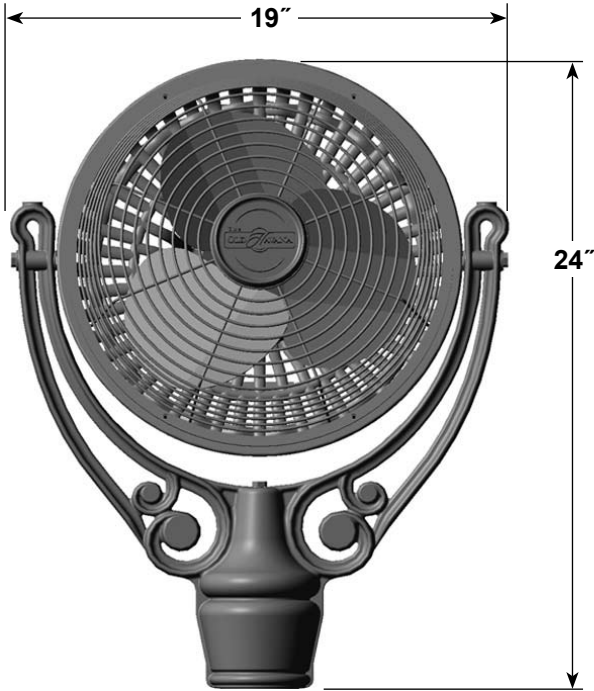


OLD HAVANA® SERIES

FPH210** – Motor Assembly Unit



| Motor Unit Specifications |
|---|
| 120 volt, 60 Hz, 0.75 amps Die-cast construction, non-oscillating* 8 ft power cord included High—1,350 rpm; Med—570 rpm; Low—350 rpm Weight 19 lbs 220VAC, 50 Hz export version is available |

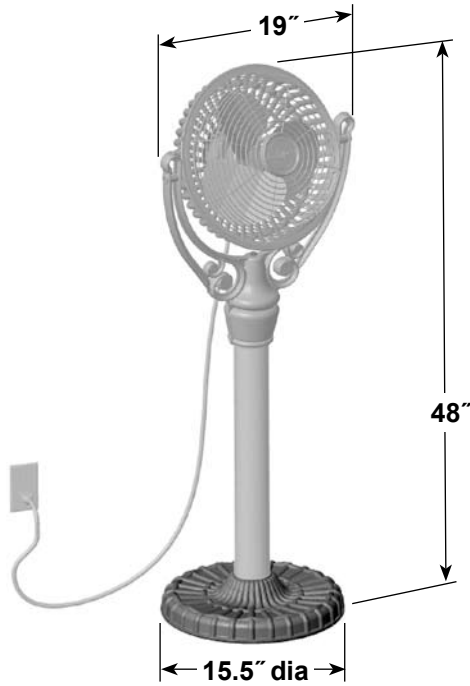
*NOTE: Fan Head does **NOT** oscillate

| **Motor Unit Finishes | |
|-----------------------|--------------------------------------|
| FPH210AC | Antique copper (grill, logo & blade) |
| FPH210BL | Black (Damp) |
| FPH210PW | Pewter (grill, logo & blade) |
| FPH210RS | Rust (Damp) |

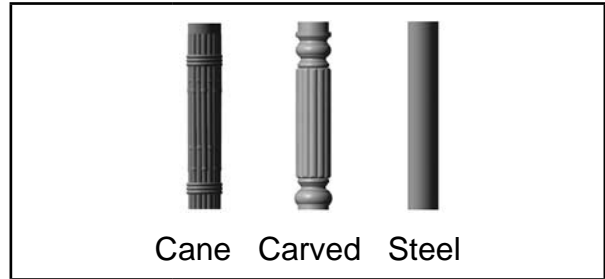
| PRODUCT MOUNT DESCRIPTION |
|---|
| Motor assembly unit (FPH210**) is priced and sold separately from the four different mounting systems (ceiling, floor/desk, wall and pedestal) and accessories. |

OLD HAVANA® SERIES

FPH21** – Pedestal Base Accessory Unit



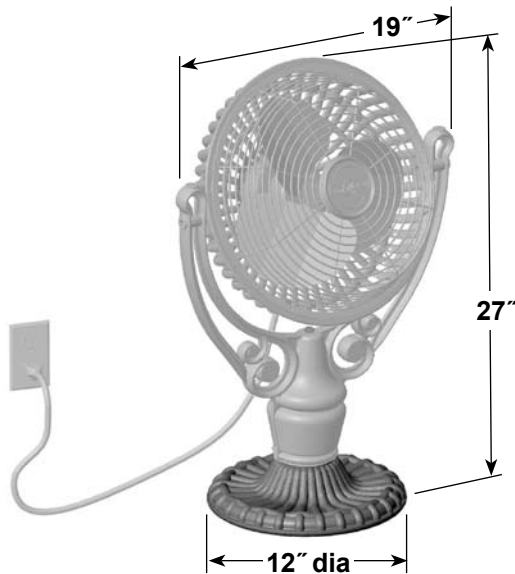
| **Pedestal Unit Finishes | |
|---------------------------------|-----------------------|
| FPH21BL | Black (Damp) |
| FPH21RS | Rust (Damp) |



| Custom Column Finishes (priced & sold separately) | |
|---|-----------------------|
| FPH70BL | Black (Damp) |
| FPH70CP | Carved Post |
| FPH70CW | Cane Wrapped |

- Weight 29 lbs (assembled)
- Die-cast construction
- Includes mounting hardware
- Wall and remote control not available
- Priced and sold Separately

FPH41** – Floor/Desk Base Accessory Unit

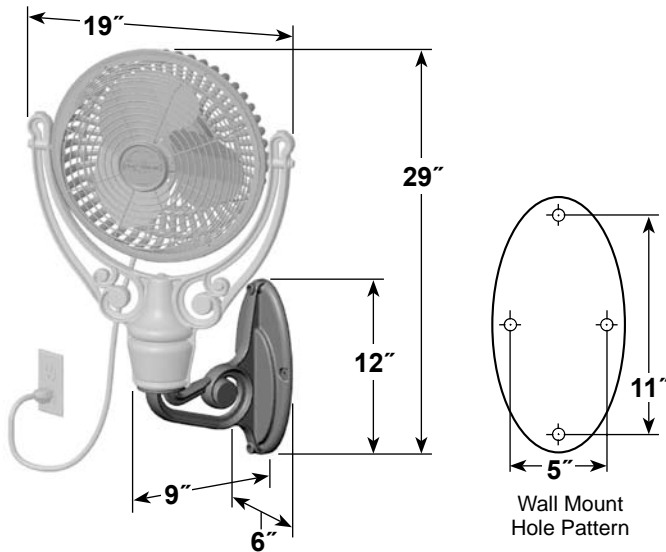


- Weight 25 lbs (assembled)
- Die-cast construction
- Includes mounting hardware
- Wall and remote control not available
- Priced and sold separately

| **Floor/Desk Unit Available Finishes | |
|---|-----------------------|
| FPH41BL | Black (Damp) |
| FPH41RS | Rust (Damp) |

OLD HAVANA® SERIES

FPH61** – Wall Mount Accessory Unit

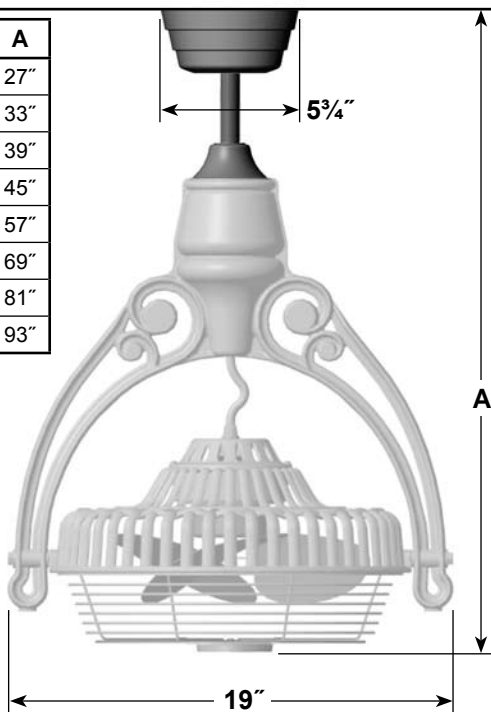


- Weight 27 lbs (assembled)
- Die-cast construction
- Includes mounting hardware
- Wall and remote control not available
- Priced and sold separately

| **Wall Unit Available Finishes | |
|--------------------------------|--------------|
| FPH61BL | Black (Damp) |
| FPH61RS | Rust (Damp) |

FPH81** – Ceiling Accessory Unit

| Fan Assembly | A |
|-------------------|-----|
| Fan w/6" downrod | 27" |
| Fan w/12" downrod | 33" |
| Fan w/18" downrod | 39" |
| Fan w/24" downrod | 45" |
| Fan w/36" downrod | 57" |
| Fan w/48" downrod | 69" |
| Fan w/60" downrod | 81" |
| Fan w/72" downrod | 93" |



- Weight 22 lbs (assembled)
- Includes 6" downrod (longer downrods sold separately)
- Will operate with CH1WH or CH1LA remote controls (sold separately)
- Includes mounting hardware
- Attaches to electrical junction box
- Priced and sold separately

| **Ceiling Unit Available Finishes | |
|-----------------------------------|--------------|
| FPH81BL | Black (Damp) |
| FPH81RS | Rust (Damp) |

| Controls (for use with Ceiling Unit) | |
|--------------------------------------|-------------------------------|
| Catalog # | Description |
| CH1LA | Remote control (light almond) |
| CH1WH | Remote control (white) |