

DIAGRAM 1

TOOLS REQUIRED FOR ASSEMBLY:  
ADJUSTABLE WRENCH OR 10MM AND 11MM WRENCH OR EQUIVALENT  
LARGE PHILLIPS HEAD SCREWDRIVER

## HARDWARE

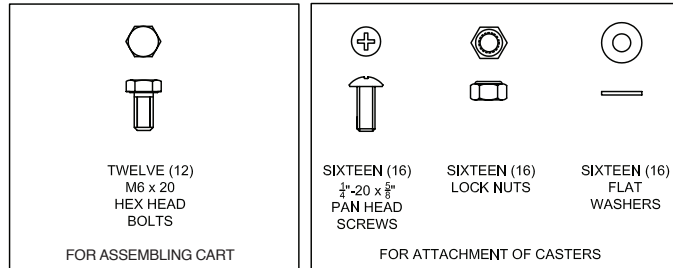
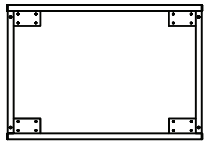
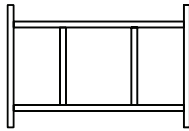


DIAGRAM 2

## SUB-ASSEMBLIES



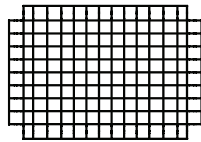
BOTTOM  
FRAME



SHELF



TOP FRAME



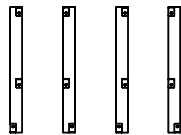
WIRE  
BASKET



TWO (2) SWIVEL CASTERS



TWO (2) LOCKING SWIVEL  
CASTERS

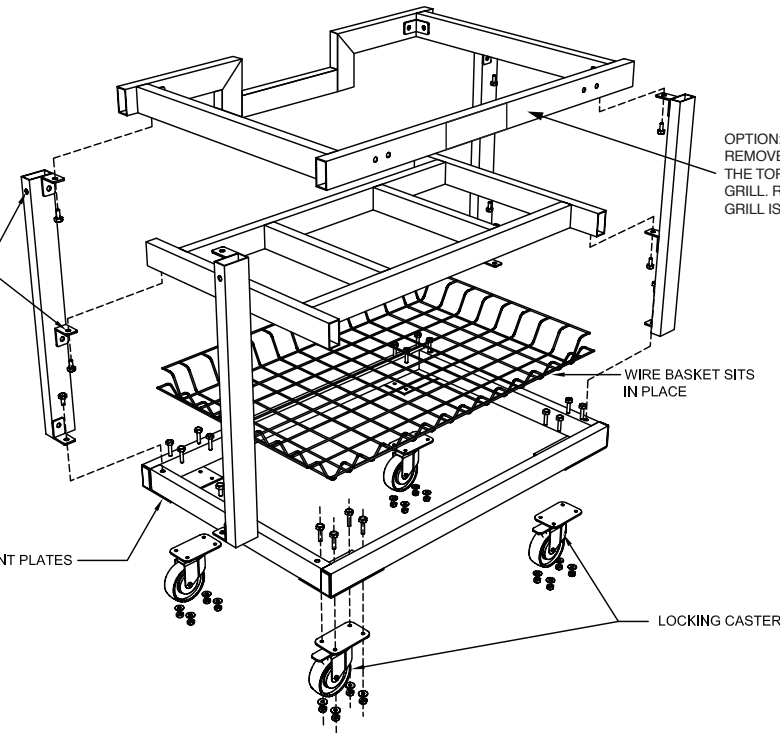


VERTICALS  
TWO (2) RIGHT  
TWO (2) LEFT

DIAGRAM 3

PROPER ALIGNMENT OF VERTICALS;  
HOLE FOR OPTIONAL SHELF  
(SOLD SEPARATELY)  
GOES AT TOP FACING OUTWARD WITH  
ATTACHMENT TABS FACING IN

CASTER ATTACHMENT PLATES  
FACE DOWNWARD



OPTION: AFTER ASSEMBLY  
REMOVE THE TOP-FRONT OF  
THE TOP FRAME AND SET THE  
GRILL. REINSTALL PART ONCE  
GRILL IS SET IN PLACE.

WIRE BASKET SITS  
IN PLACE

LOCKING CASTER

## ASSEMBLY INSTRUCTIONS

HANDLE METAL PARTS WITH CARE AS SOME MAY HAVE SHARP EDGES.

1. Remove all parts from the packaging and compare to the parts list.
2. Secure 2 locking casters to one long side of the bottom frame. Use the Pan Head Screws, Washers and Locking Nuts to attach the casters to the mounting plates. While holding the casters flat to the bottom of the mounting plate, insert the screws from the top and place a washer and locking nut on from the bottom and tighten. Repeat this step for the remaining two casters and set the base frame casters down on your work surface.
3. Install the 4 verticals. Holding the vertical with the threaded brass grommet up and pointing to the outside of the cart frame, gently thread the hex bolt into the grommets at the corners of the bottom frame (finger tighten only).
4. Position the shelf over the middle brackets with the threaded brass grommets facing downward. Gently thread the hex bolts into the shelf from the bottom (finger tighten only).
5. Install the Top Frame by orienting the brass grommets facing downward, with the long side positioned over the locking casters on the bottom frame (the cut out side should be above the regular swivel casters). Secure from below with the hex bolts and finger tighten.
6. Place the cart on a flat surface and tighten all twelve hex bolts with a 10mm wrench. DO NOT USE POWERED SCREWDRIVERS, DRILLS, OR IMPACT WRENCHES TO TIGHTEN THE BOLTS. This could result in damage to the cart or grommets.
7. Slide the wire basket into place. You are now ready to install your Primo Grill. As an option you may remove the top-front of the Top Frame and set the Grill. Reinstall the part once the grill is set in place.

DIAGRAM 4

