



GRILLNETICS

OUTDOOR CABINETRY + GRILLS + DESIGN

MAKE IT EASY



PRODUCT GUIDES *FOR* ASSEMBLY & INSTALLATION

GC.....	1-1	CC-BS	16-1
FLBC	2-1	WBC-BS	17-1
BC.....	3-1	FLCC45-BS	18-1
ECK.....	4-1	SBC-BS	19-1
SBC.....	5-1	GC-GSA	20-1
BFC.....	6-1	GC-VAR	21-1
CC.....	7-1	FVAR	22-1
WBC.....	8-1	HAR	23-1
WBC-L.....	9-1	DBC-VAR.....	24-1
WBC-R	10-1	Warranty.....	W-1
FLCC45	11-1	Bonus Materials	B-1
HTBC	12-1	Index	X-1
DBC	13-1		
DBC-BS	14-1		
BS.....	15-1		

THANK YOU



Thank you for choosing to work with Grillnetics! We have been doing this for almost seven years now, and we still get excited about every outdoor kitchen that ships.

Your cabinets were USA made and packaged in Fort Collins, Colorado, by an incredibly talented team. We love to use our talent to create barbeque islands of unrivaled quality, and without any of the headaches typically associated with home construction projects.

With this in mind, if something does not seem right, you need help, or you have other questions, please call your Grillnetics Account Manager directly. Or, you can call anyone on our support team at 1-855-906-3858. We are also available via email at customerservice@grillnetics.com.

We wish you a headache-free install and many fantastic barbeques and gatherings with friends and family for years to come.

Sincerely,

Tyler D. Johansen
President, Grillnetics



LIMITED
LIFETIME
WARRANTY

6063
ALUMINUM
LIGHT & STRONG

GRILL CABINET

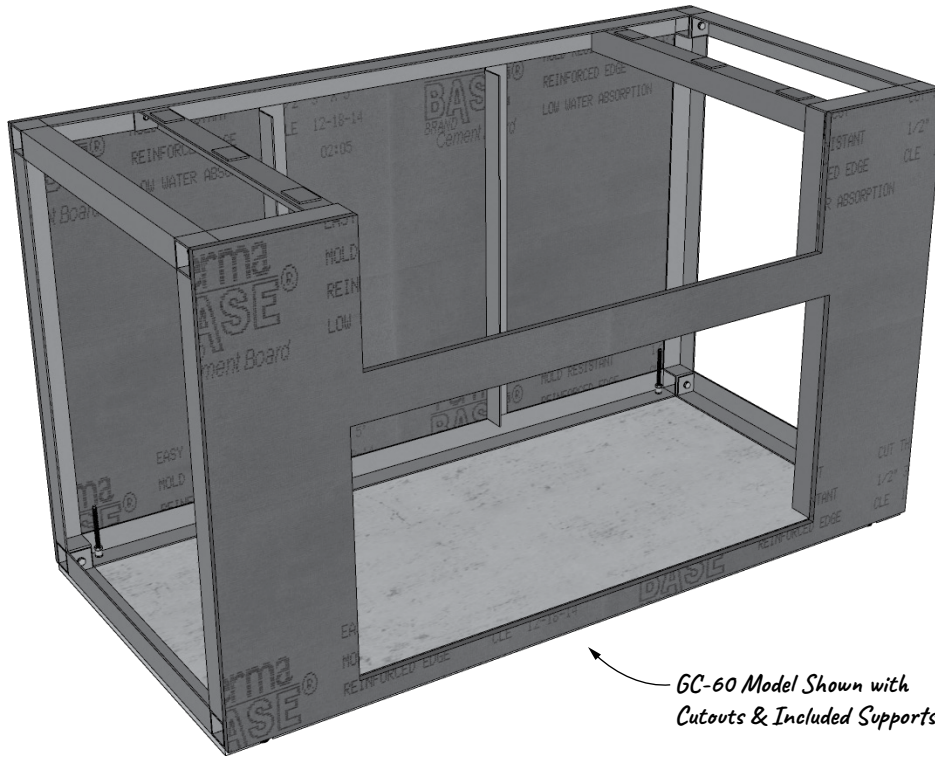
Product Guide for All GC Models



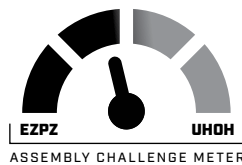
R050620

Scan QR Code
PRQ-Tips & More
Product Warranty
Videos, Orders

User safety depends on correct assembly!
This product guide contains important information for correct assembly.
Always use proper safety methods and equipment to avoid injury and ensure product performance.
If you have questions or need support call 1-855-906-3858 M-F 8am-5pm MST.



GC-60 Model Shown with Cutouts & Included Supports



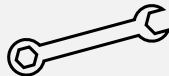
SUGGESTED TOOLS



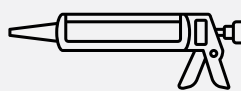
SAFETY GLASSES



WORK GLOVES



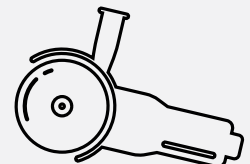
9/16" WRENCH OR SOCKET



CAULK GUN



POWER DRILL + 5/16", 1/4" HEX BITS + T25 BIT (INCLUDED)

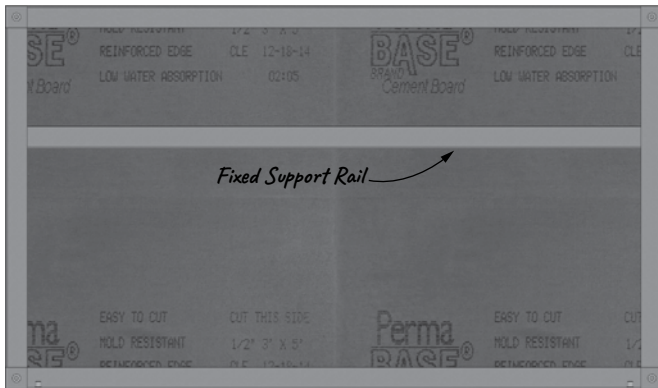


ANGLE GRINDER

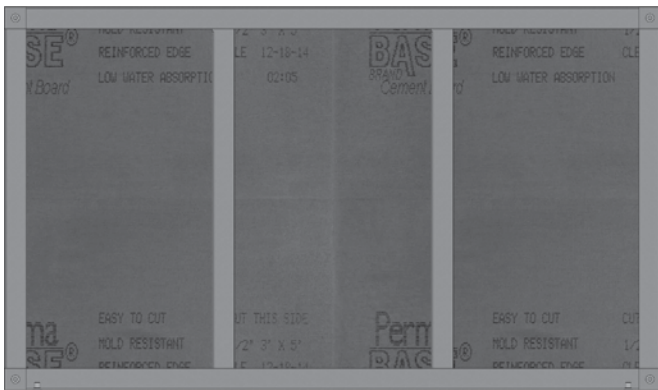
@2020 GRILLNETICS, LLC

GRILL CABINET

GC Parts & Assembly Diagram



GCFP## x1
GC front panel where ## will be the width of the cabinet.
See assembly example below.

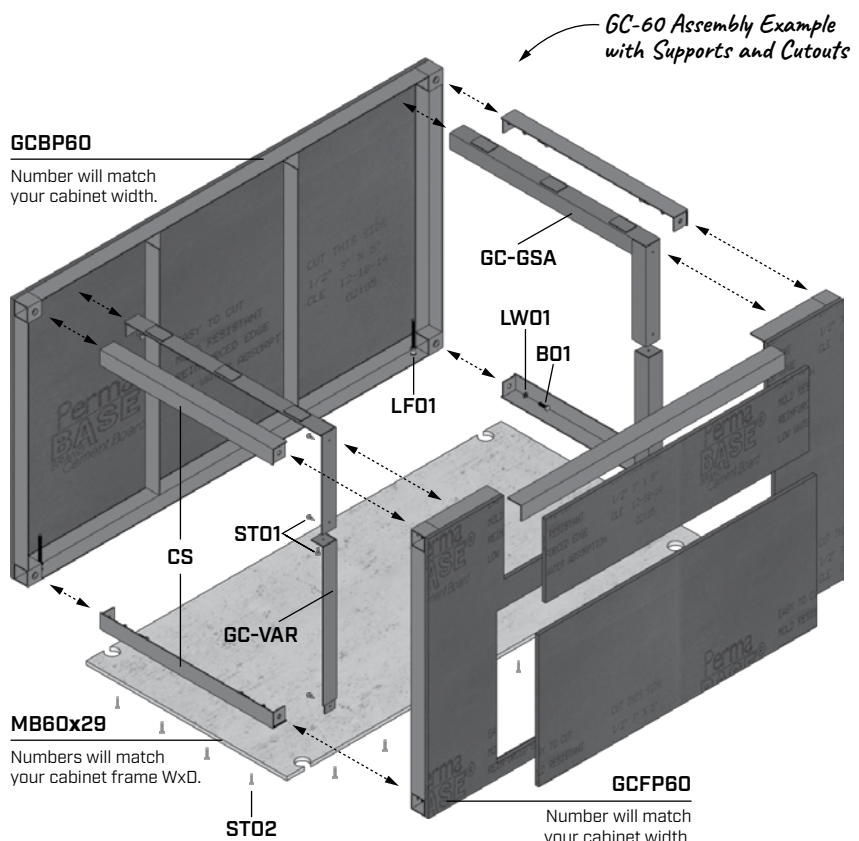
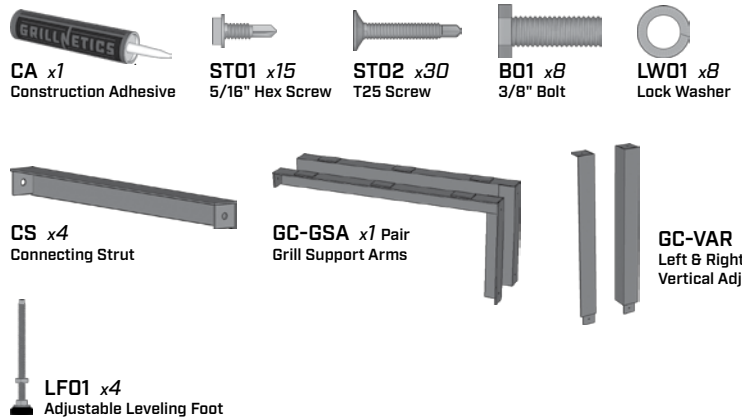


GCBP## x1
GC back panel where ## will be the width of the cabinet.



MB##x## x1
MB Floor panel where ##x## matches the cabinet frame width x depth (WxD).

Check that you have all the listed parts.
If any parts are missing **STOP** assembly and call 1-855-906-3858.



PRO TIP ★



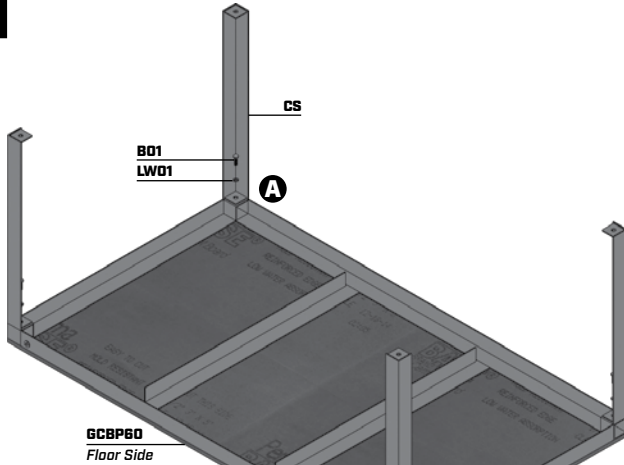
Point your smart-phone camera at this QR code!

Monkey see, monkey do! Watch a product assembly video and read through these steps before you begin building your cabinet!

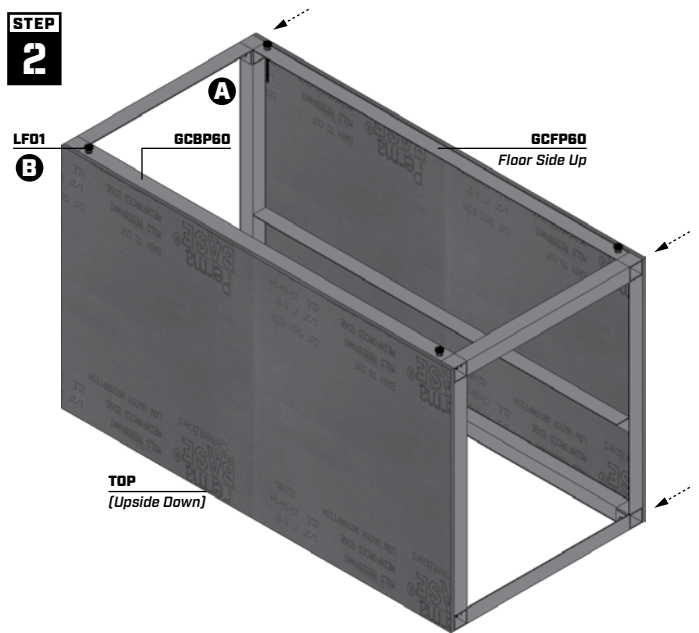
GRILL CABINET

GC Assembly Steps » GC-60 assembly shown. The same steps apply for any GC size.
NOTE: CS-OS is used in place of CS when assembling *OVERSIZED* version.

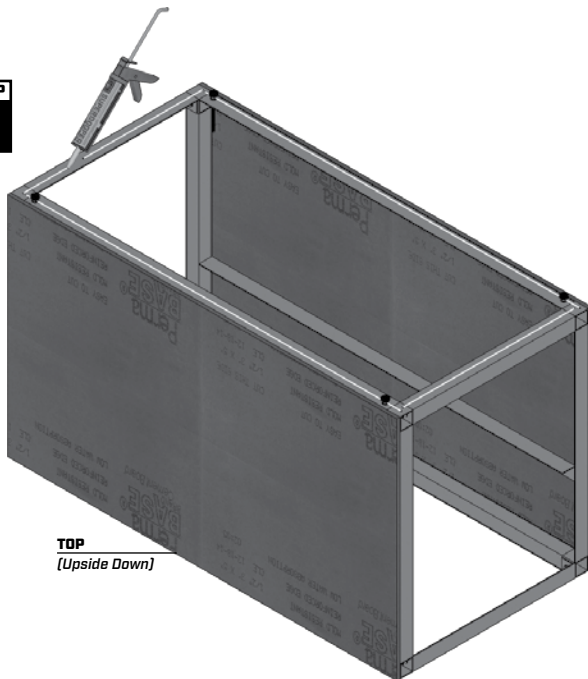
STEP 1



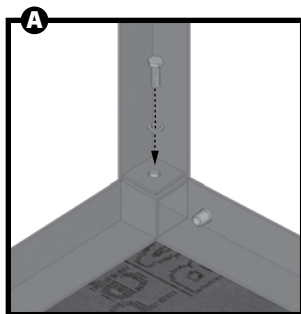
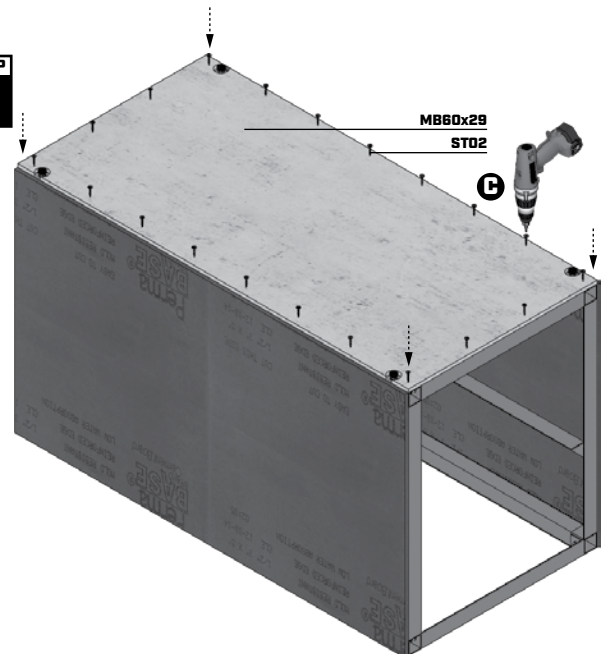
STEP 2



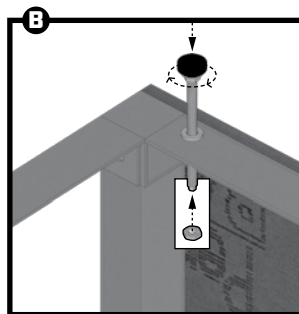
STEP 3



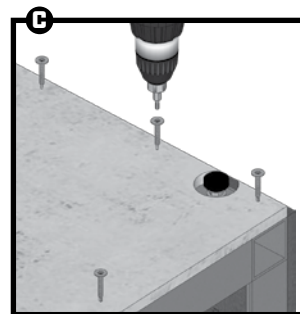
STEP 4



Use **LW01 + B01** to connect parts.
PRO TIP: Don't over tighten



Remove nut from **LF01** and twist until tight. Re-thread nut on **LF01**.

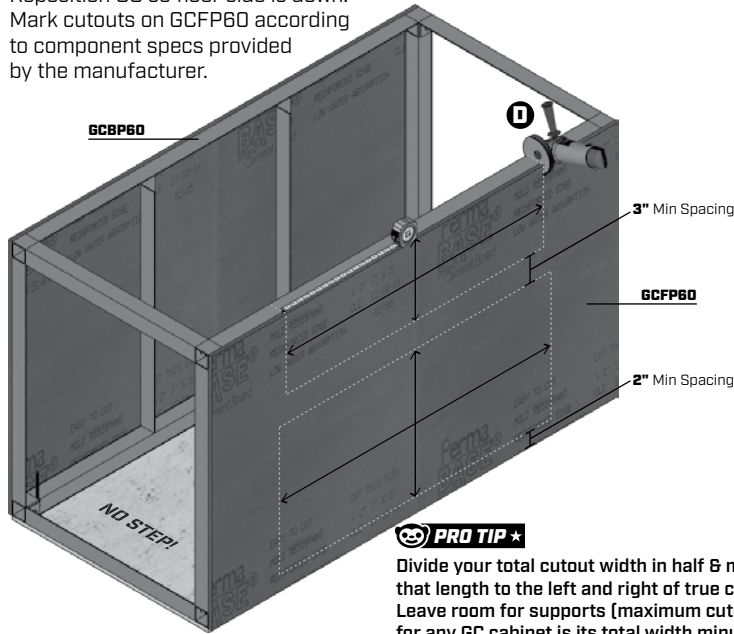


After applying adhesive, use **ST02 + T25** to fasten **M818x29** to cabinet.

GRILL CABINET

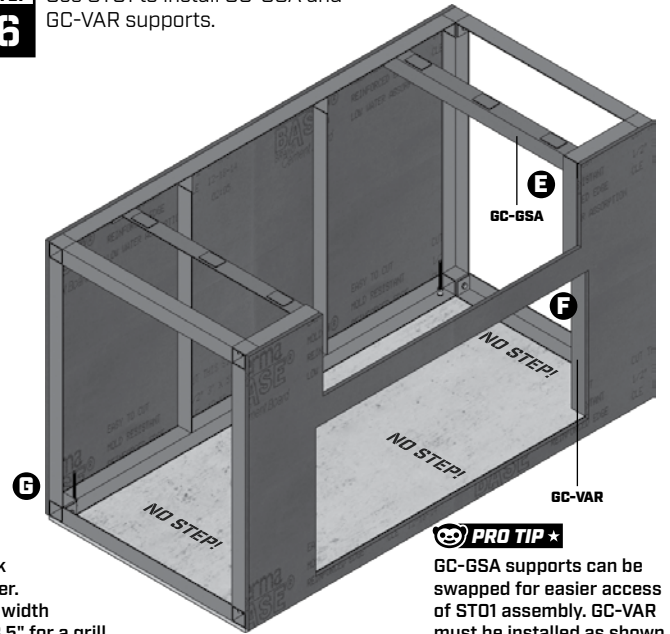
GC Assembly Steps

STEP 5 Reposition GC so floor side is down. Mark cutouts on GCFP60 according to component specs provided by the manufacturer.



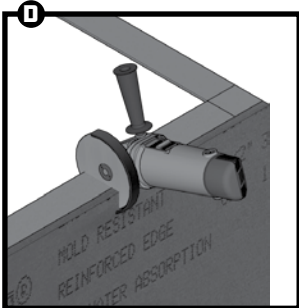
PRO TIP ★
Divide your total cutout width in half & mark that length to the left and right of true center. Leave room for supports (maximum cutout width for any GC cabinet is its total width minus 8.5" for a grill and total width minus 8.25" for doors or drawers.). Be careful not to cut the horizontal support rail!

STEP 6 Use ST01 to install GC-GSA and GC-VAR supports.

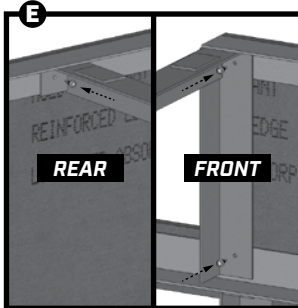


PRO TIP ★
GC-GSA supports can be swapped for easier access of ST01 assembly. GC-VAR must be installed as shown.

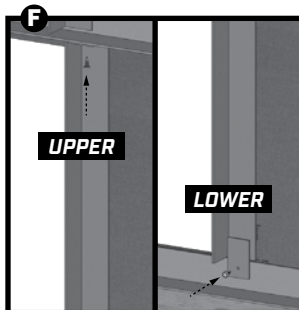
STEP 7 Use ST02 to fasten door component to cabinet. Leave space for finish as needed. Dry fit grill before finishing.



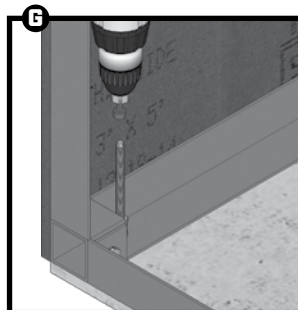
Use angle grinder with diamond blade to remove desired cutout.



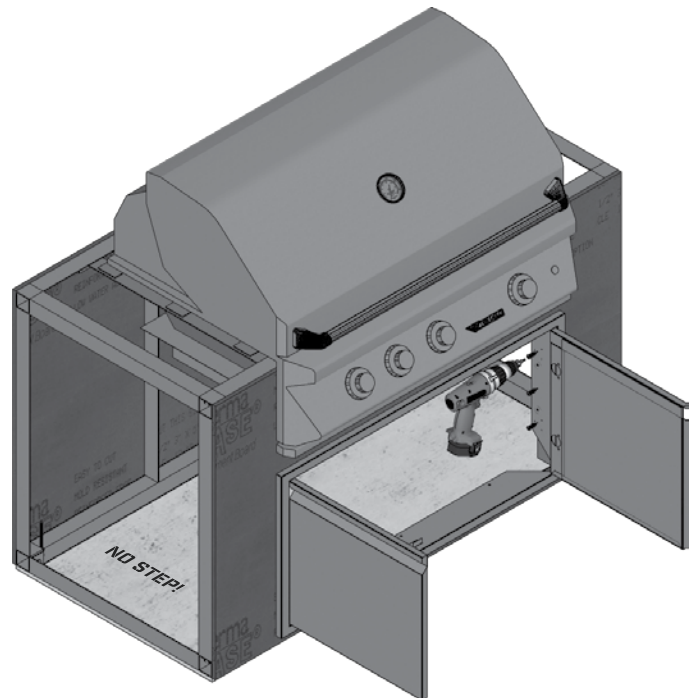
Use ST01 to connect GC-GSA to front and rear panels.



Use ST01 to connect GC-VAR to front panel below fixed support rail.



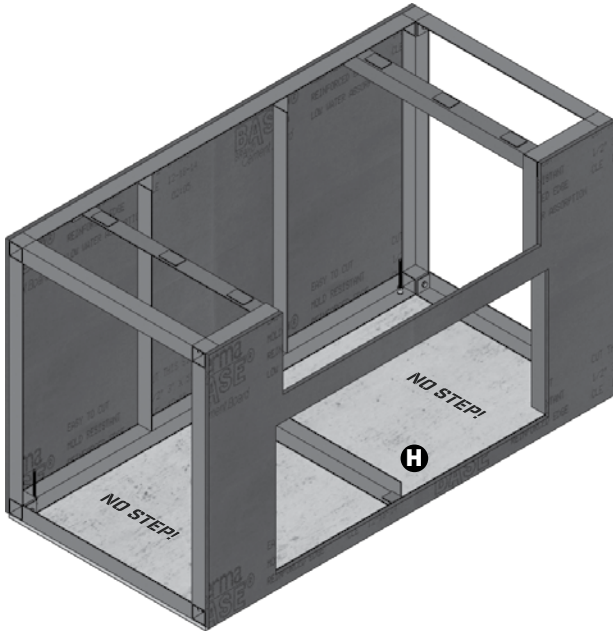
Use 1/4" bit with drill or 9/16" wrench to adjust LFO1 leveling feet as needed.



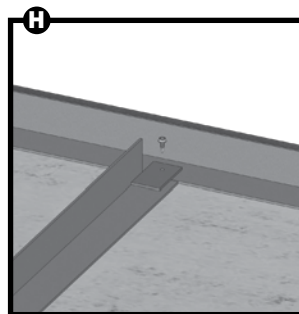
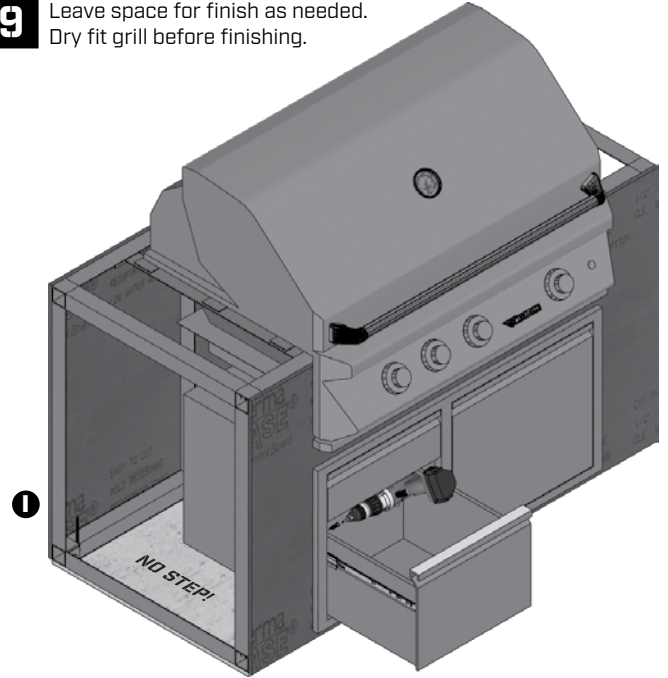
GRILL CABINET

GC Assembly Steps

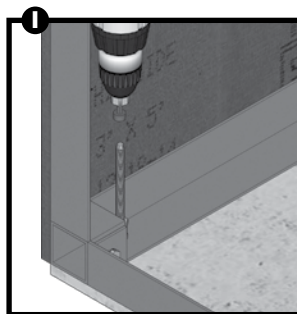
STEP 8 If installing an enclosed component, drawer, or door/drawer combo, use HAR (sold separately) with ST01 to provide support.



STEP 9 Fasten drawer to cabinet with ST02. Leave space for finish as needed. Dry fit grill before finishing.



Use **ST01** to connect **HAR** supports to inside bottom of front/back panels.

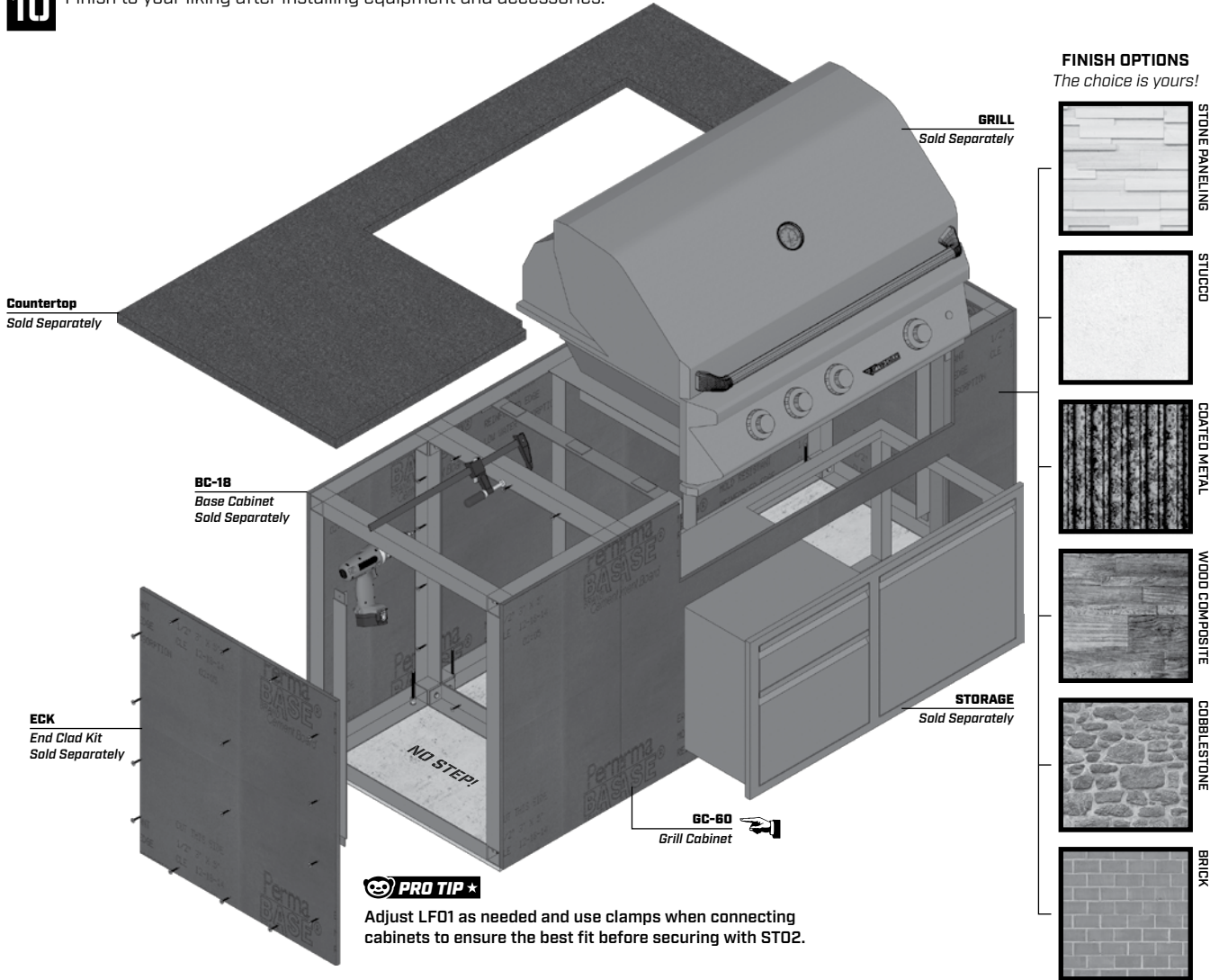


Use **1/4"** bit with drill or **9/16"** wrench to adjust **LF01** leveling feet as needed.

GRILL CABINET

GC Layout Example

STEP 10 Connect cabinets using ST02 and use ECK to enclose ends. Finish to your liking after installing equipment and accessories.



STEP 11 Call the neighbors, you are now ready to celebrate your new outdoor kitchen!
Get your grill on! Check out our blog for recipes and maintenance tips!



Tag us on **Facebook**, **Instagram**, or **Twitter**
@grillnetics #BBQwinning

From everyone at **GRILLNETICS**,
Thank you!

FRONT LOAD BASE CABINET

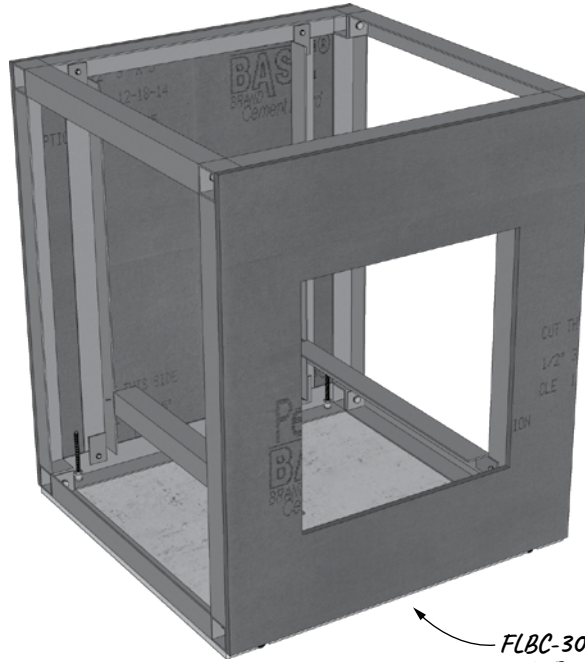
Product Guide for All FLBC Models



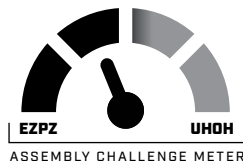
R060320

Scan QR Code
Product Warranty
PRO-Tips & More
Videos, Orders

User safety depends on correct assembly!
This product guide contains important information for correct assembly.
Always use proper safety methods and equipment to avoid injury and ensure product performance.
If you have questions or need support call 1-855-906-3858 M-F 8am-5pm MST.



FLBC-30 Model Shown
with Example Cutout and
Included Door & Drawer Supports



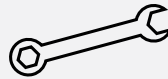
SUGGESTED TOOLS



SAFETY GLASSES



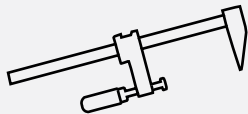
WORK GLOVES



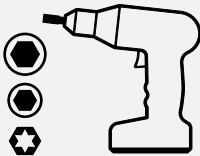
9/16" WRENCH
OR SOCKET



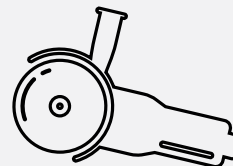
CAULK GUN



CLAMPS



POWER DRILL + 5/16", 1/4" HEX
BITS + T25 BIT (INCLUDED)



ANGLE GRINDER

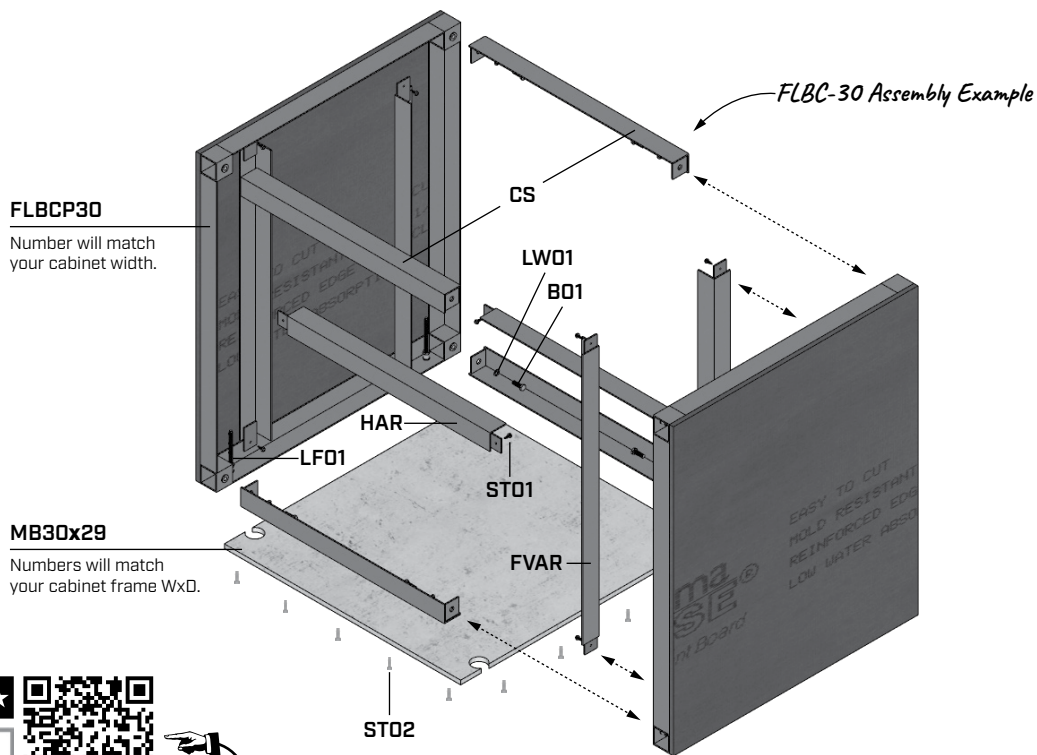
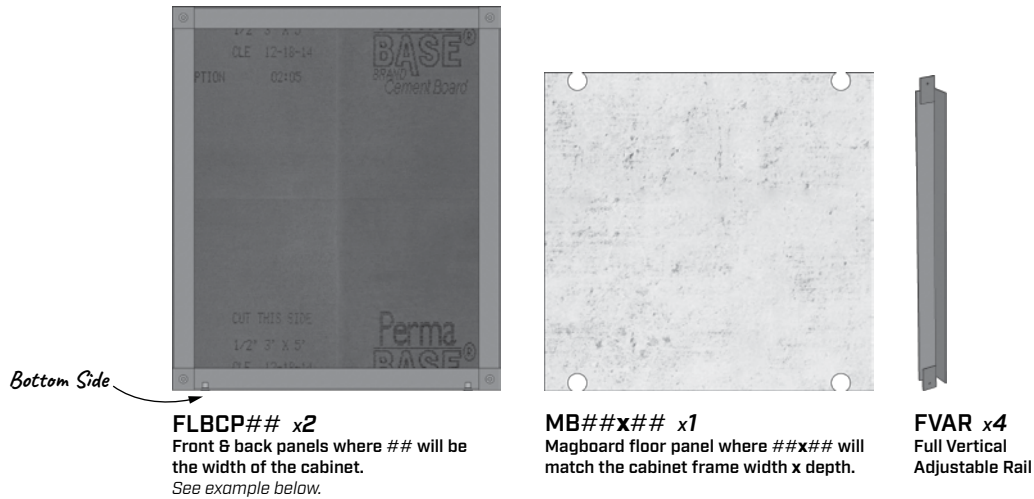
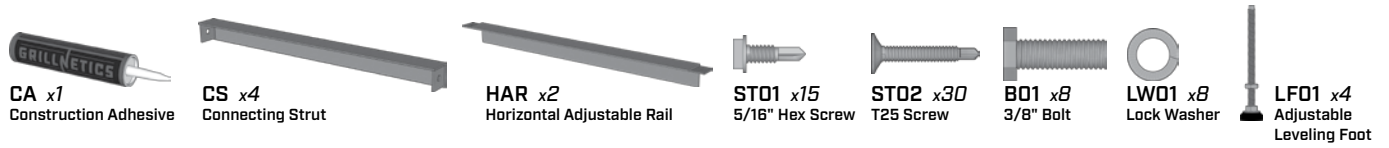
©2020 GRILLNETICS, LLC

FRONT LOAD BASE CABINET

FLBC Parts & Assembly Diagram



Check that you have all the listed parts. If any parts are missing **STOP** assembly and call 1-855-906-3858.

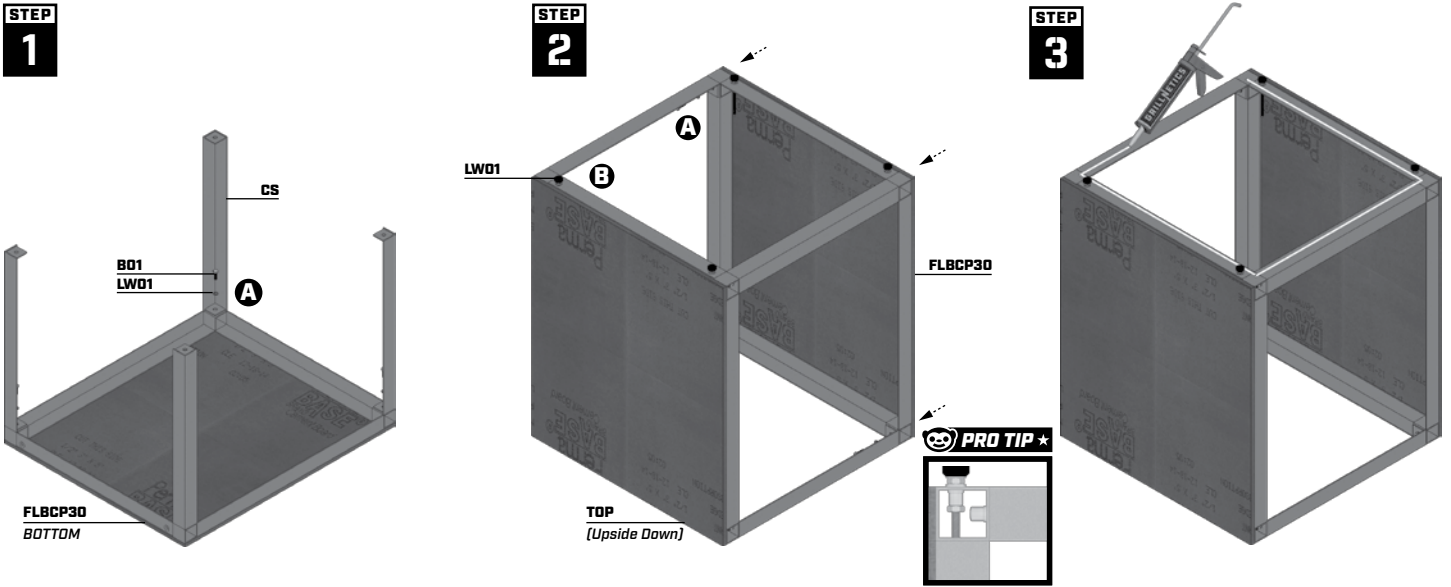


Point your smart-phone camera at this QR code!

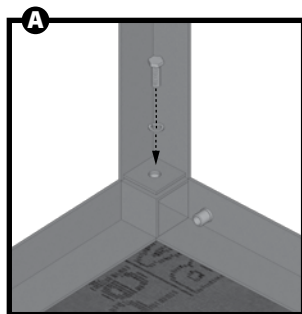
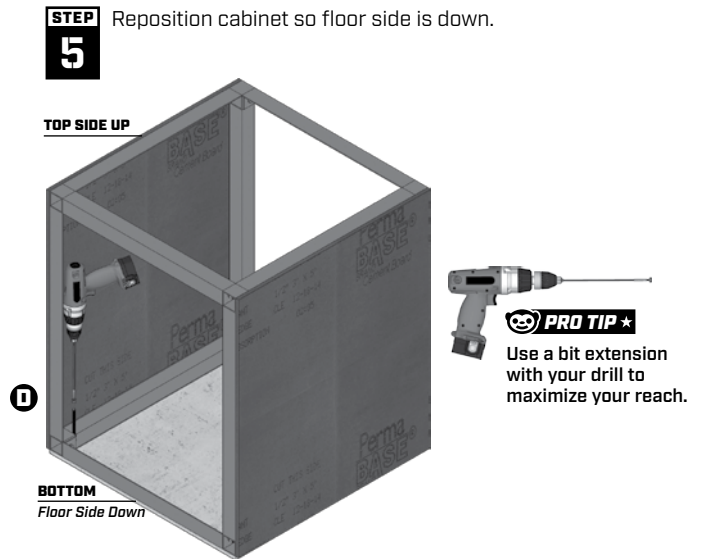
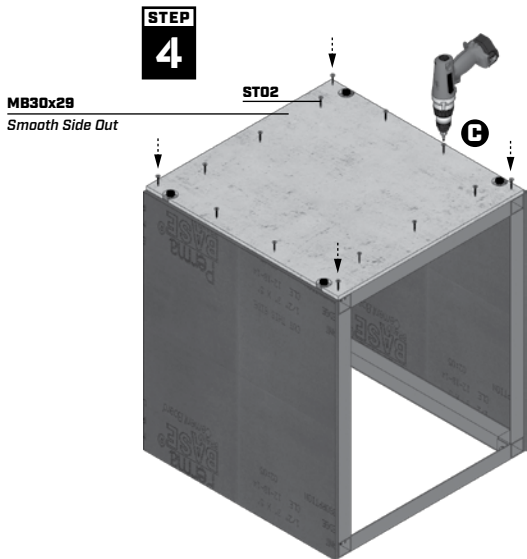
Monkey see, monkey do! Watch a product assembly video and read through these steps before you begin building your cabinet!

FRONT LOAD BASE CABINET

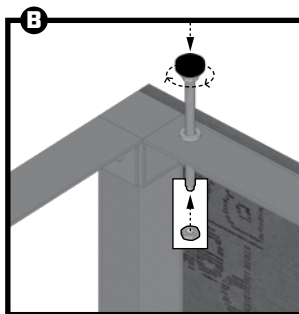
FLBC Assembly Steps » FLBC-30 assembly shown. The same steps apply for any FLBC size.



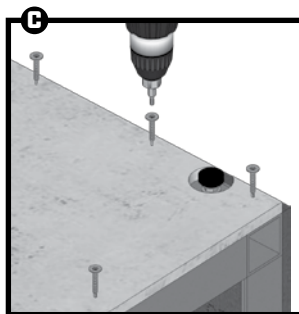
Check that parts are assembled flush before fully tightening, gluing or screwing.



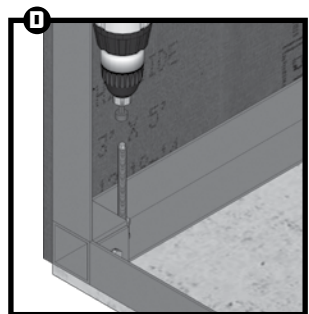
Use LW01 + B01 to connect parts.
PRO TIP: Do NOT overtighten!



Remove nut from LFO1 and twist until tight. Re-thread nut on LFO1.



After applying adhesive, use ST02 + T25 to fasten MB30x29 to cabinet.

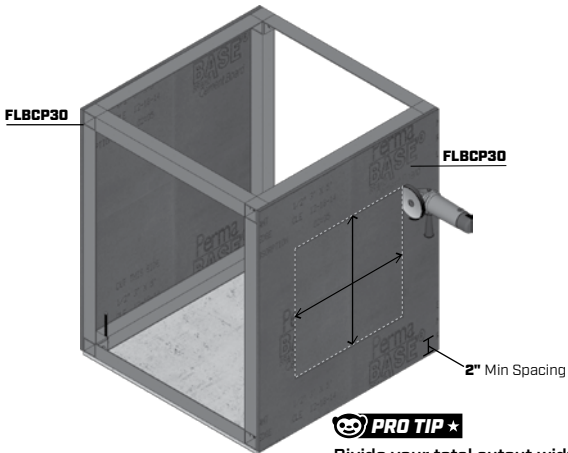


Use 1/4" bit with drill or 9/16" wrench to adjust LFO1 leveling feet as needed.

FRONT LOAD BASE CABINET

FLBC Assembly Steps

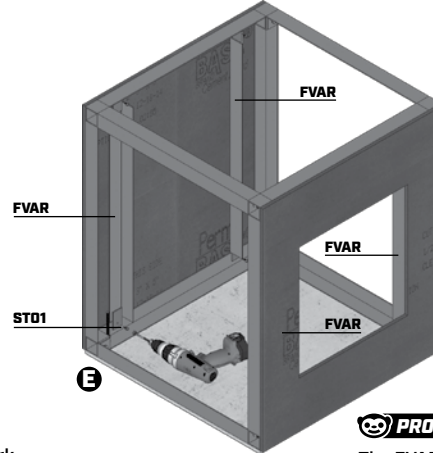
STEP 6 Mark cutout on FLBCP30 according to manufacturer's specifications.



PRO TIP ★

Divide your total cutout width in half & mark that length to the left and right of true center. Leave room for supports (maximum cutout width for any FLBC cabinet is its width minus 8.25").

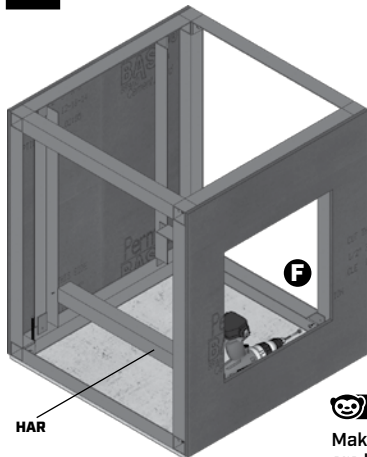
STEP 7 Use ST01 to fasten FVAR to the inside of each FLBCP30.



PRO TIP ★

The FVARs on each FLBCP## should mirror each other.

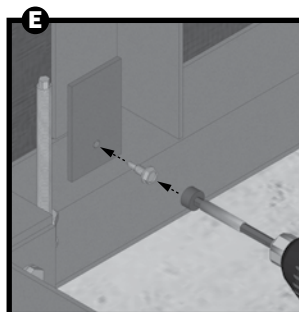
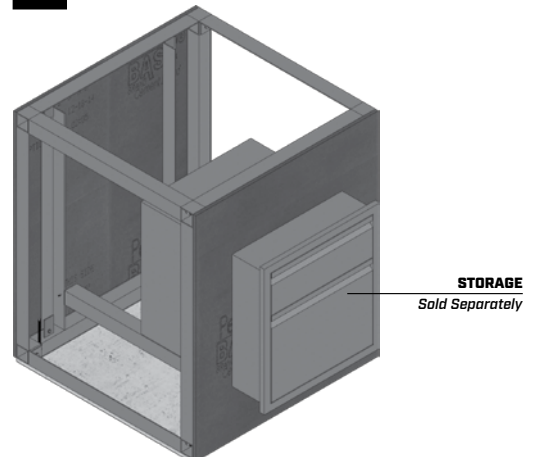
STEP 8 Use ST01 to fasten HAR to FVAR.



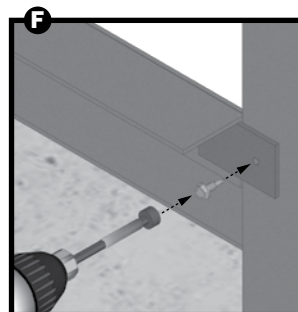
PRO TIP ★

Make sure the HAR supports are level and flush with the cutout.

STEP 9



Use **ST01** to fasten **FVAR** to the interior of the cabinet frame.



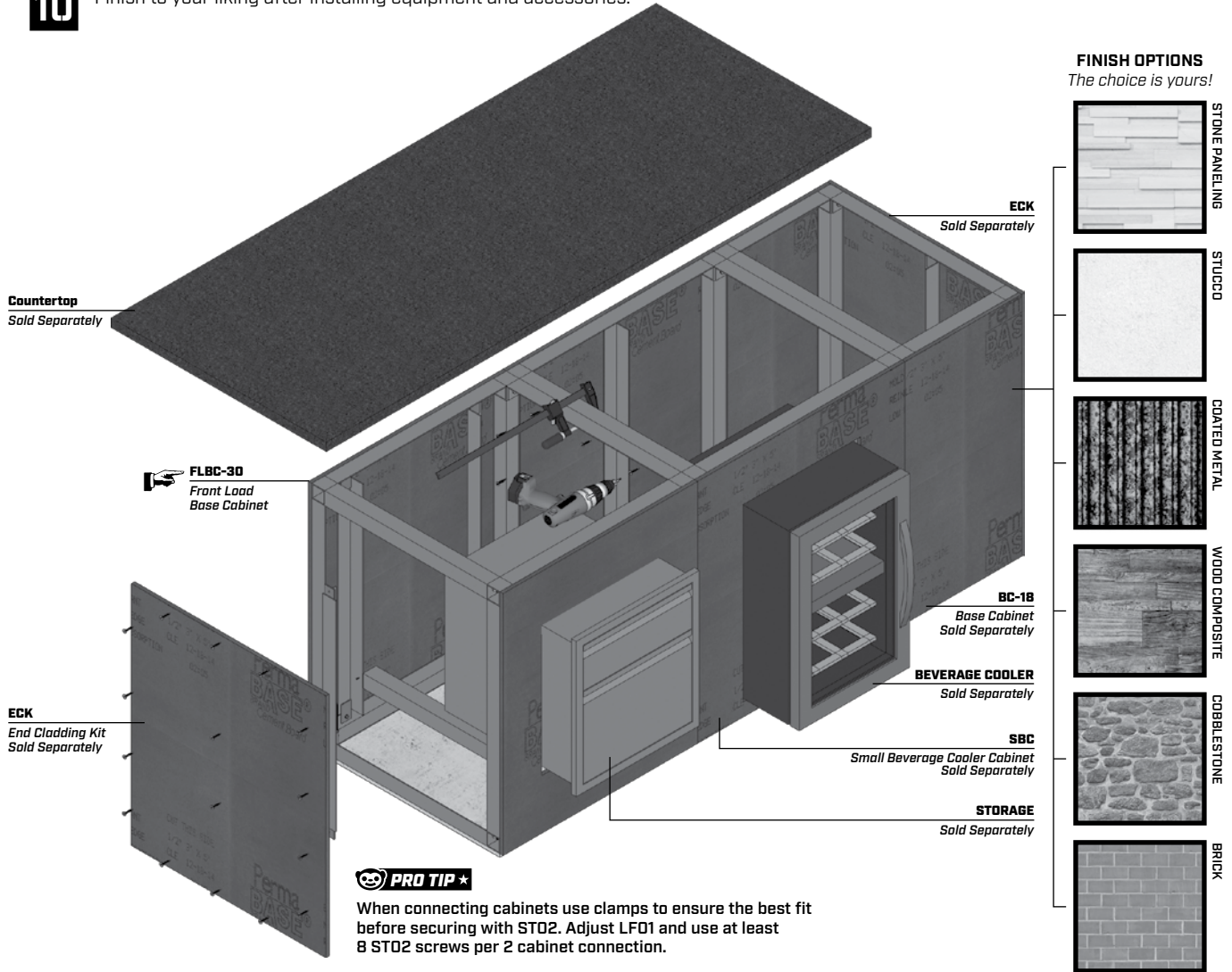
Use **ST01** to fasten **HAR** to **FVAR**.

FRONT LOAD BASE CABINET

FLBC Layout Example

STEP 10

Connect cabinets using ST02. Use ECK to enclose ends. Finish to your liking after installing equipment and accessories.



STEP 11

Call the neighbors, you are now ready to celebrate your new outdoor kitchen!
Get your grill on! Check out our blog for recipes and maintenance tips!



Tag us on **Facebook**, **Instagram**, or **Twitter**
@grillnetics #BBQwinning

From everyone at **GRILLNETICS**,

Thank you!

BASE CABINET

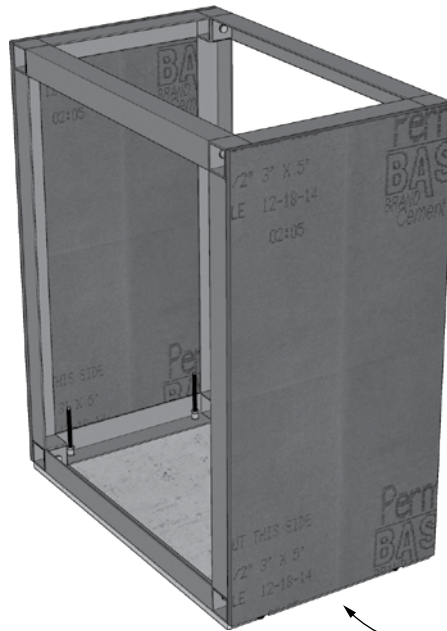
Product Guide for All BC Models



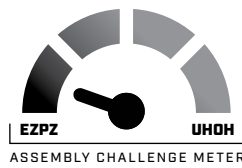
R050620

Scan QR Code
Product Warranty
PRQ-Tips & More
Videos, Orders

User safety depends on correct assembly!
This product guide contains important information for correct assembly.
Always use proper safety methods and equipment to avoid injury and ensure product performance.
If you have questions or need support call 1-855-906-3858 M-F 8am-5pm MST.



BC-18 Model Shown



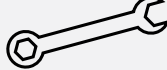
SUGGESTED TOOLS



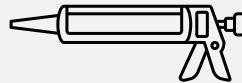
SAFETY GLASSES



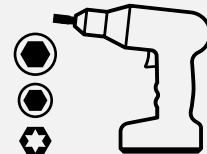
WORK GLOVES



9/16" WRENCH
OR SOCKET



CAULK GUN



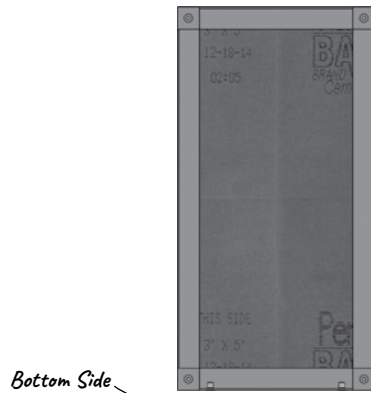
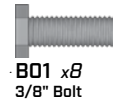
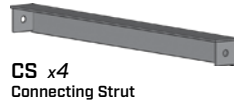
POWER DRILL + 5/16", 1/4" HEX
BITS + T25 BIT (INCLUDED)

@2020 GRILLNETICS, LLC

BASE CABINET

BC Parts & Assembly Diagram

Check that you have all the listed parts. If any parts are missing **STOP** assembly and call 1-855-906-3858.

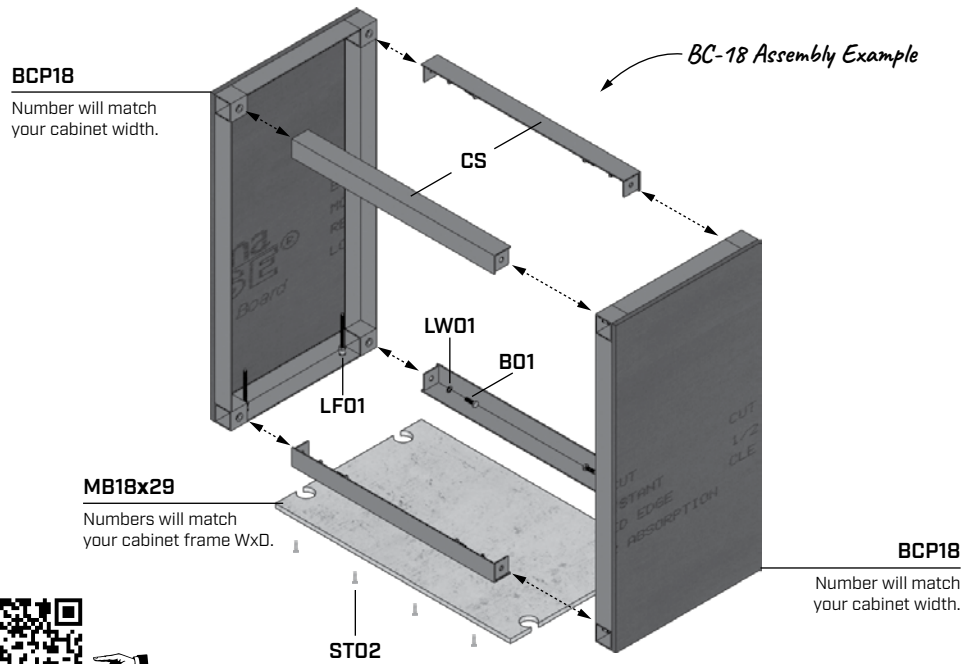


Bottom Side

BCP## x2
Front & back BC panels
where ## will be the width
of the cabinet.
See example below.



MB##x## x1
Magboard floor panel
where ##x## will match
the cabinet frame width x depth [WxD].
See example below.

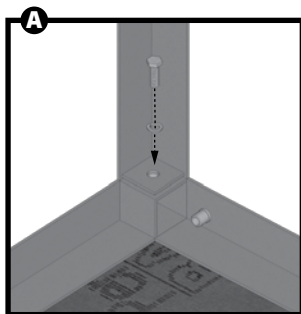
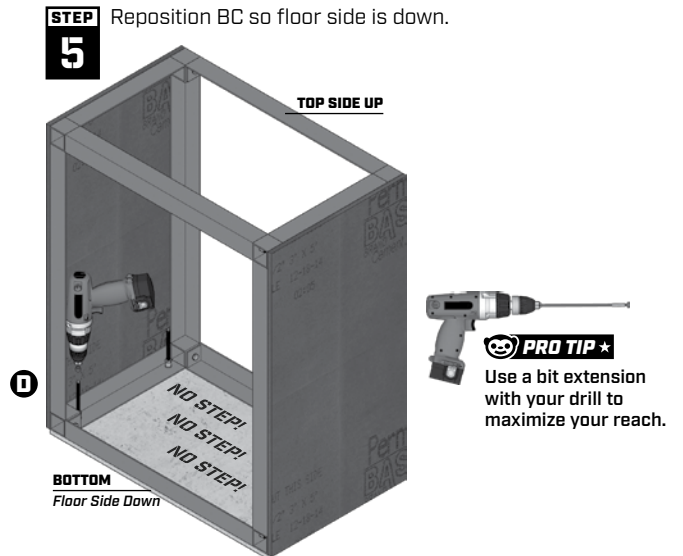
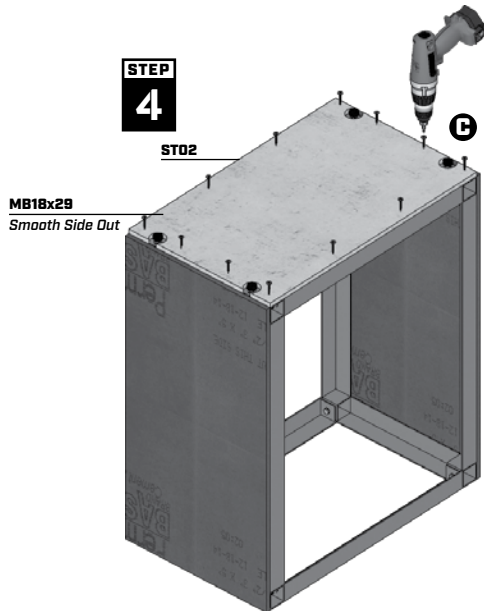
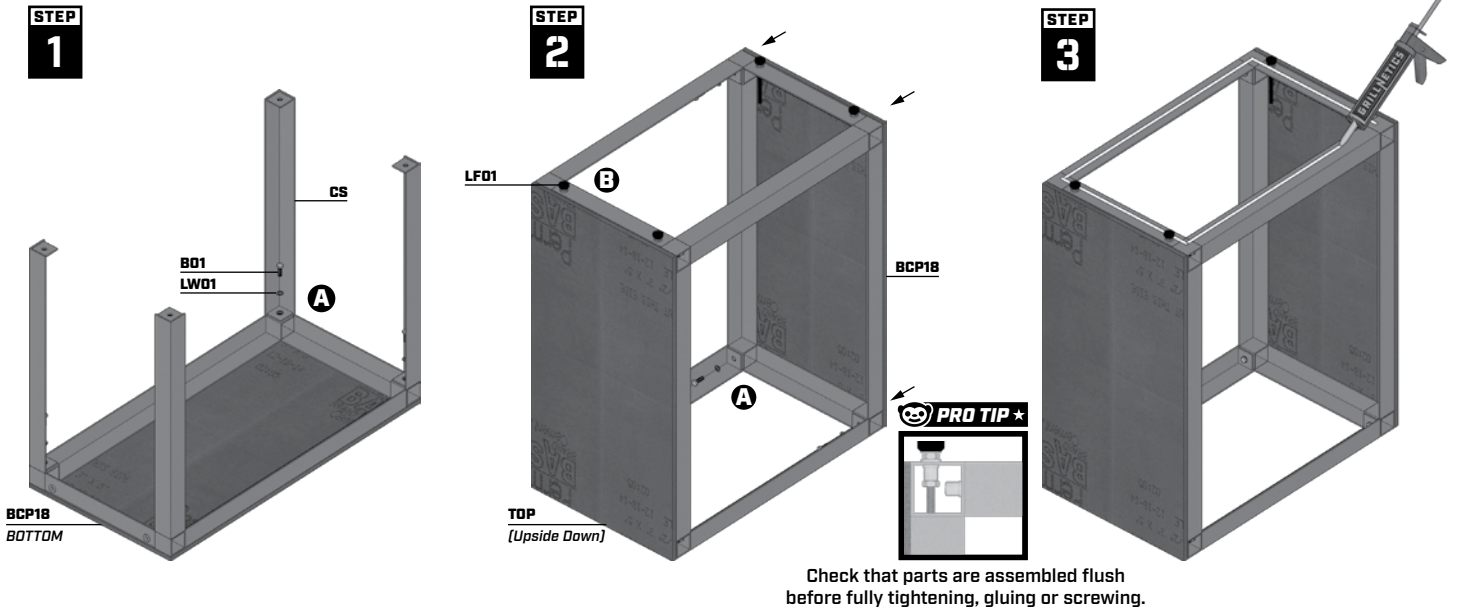


*Point your smart-phone
camera at this QR code!*

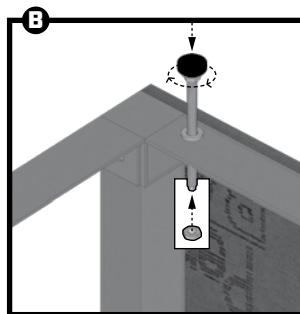
Monkey see, monkey do! Watch a product assembly video and read through these steps before you begin building your cabinet!

BASE CABINET

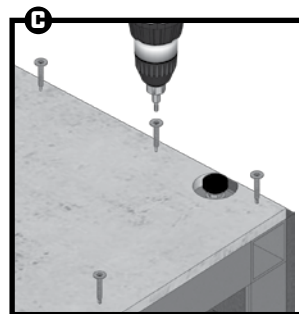
BC Assembly Steps » BC-18 assembly shown. The same steps apply for any BC size.
NOTE: For *OVERSIZED* version, replace CS with CS-OS for oversized cabinet assembly.



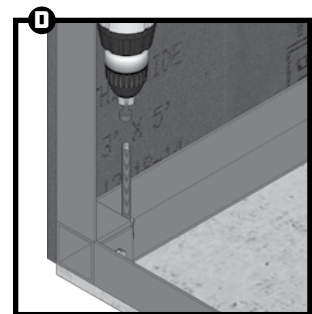
Use **LW01 + B01** to connect parts.
PRO TIP: Do NOT overtighten!



Remove nut from **LFO1** and twist until tight. Re-thread nut on **LFO1**.



After applying adhesive, use **STO2 + T25** to fasten **MB18x29** to cabinet.

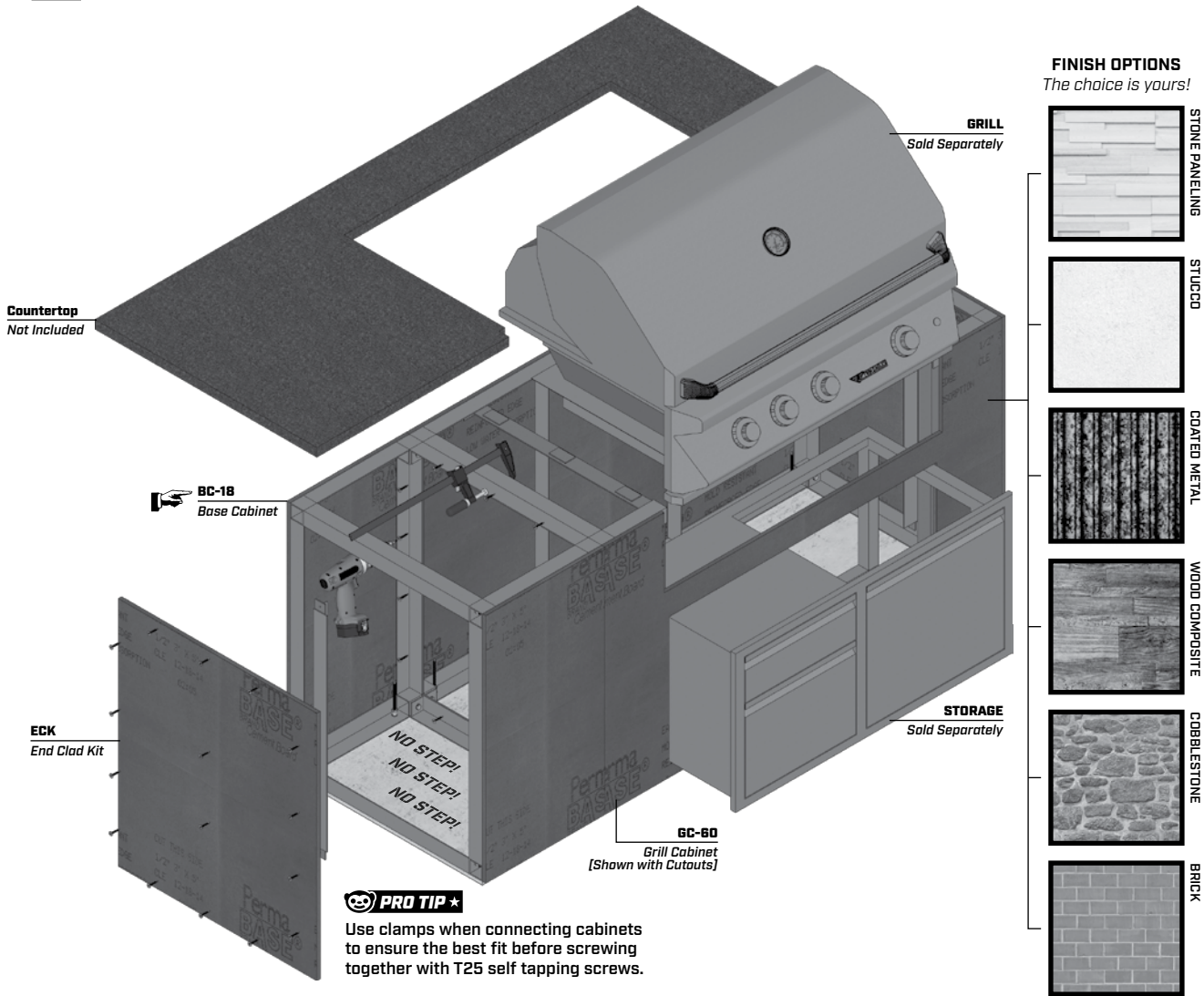


Use **1/4"** bit with drill or **9/16"** wrench to adjust **LFO1** leveling feet as needed.

BASE CABINET

BC Layout Example

STEP 6 Connect cabinets as needed using ST02 self tapping screws. Use ECK to enclose ends. Finish to your liking after installing equipment and accessories as needed.



STEP 7 Call the neighbors, you are now ready to celebrate your new outdoor kitchen! **Get your grill on!** Check out our blog for recipes and maintenance tips!



Tag us on **Facebook**, **Instagram**, or **Twitter**
@grillnetics #BBQwinning

From everyone at **GRILLNETICS**,
Thank you!

END CLADDING KIT

Product Guide for All ECK Models



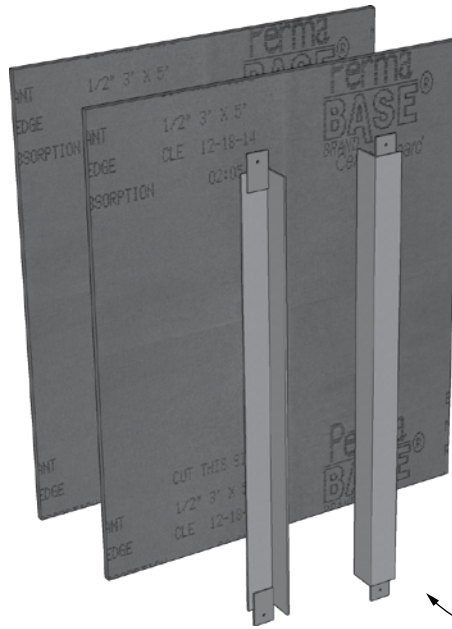
R051120

Scan QR Code
PRO-Tips & More
Videos, Orders
Product Warranty

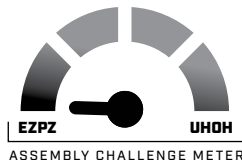


User safety depends on correct assembly!

This product guide contains important information for correct assembly. Always use proper safety methods and equipment to avoid injury and ensure product performance. If you have questions or need support call 1-855-906-3858 M-F 8am-5pm MST.



ECK Model Shown



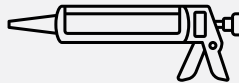
SUGGESTED TOOLS



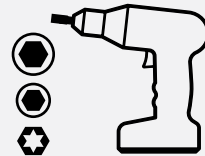
SAFETY GLASSES



WORK GLOVES



CAULK GUN



POWER DRILL + 5/16"
1/4" HEX BITS + T25 BIT

@2020 GRILLNETICS, LLC

END CLADDING KIT

ECK Parts & Assembly Diagram



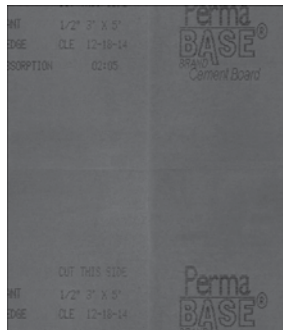
Check that you have all the listed parts. If any parts are missing **STOP** assembly and call 1-855-906-3858.



ST01 x8
5/16" Hex Screw



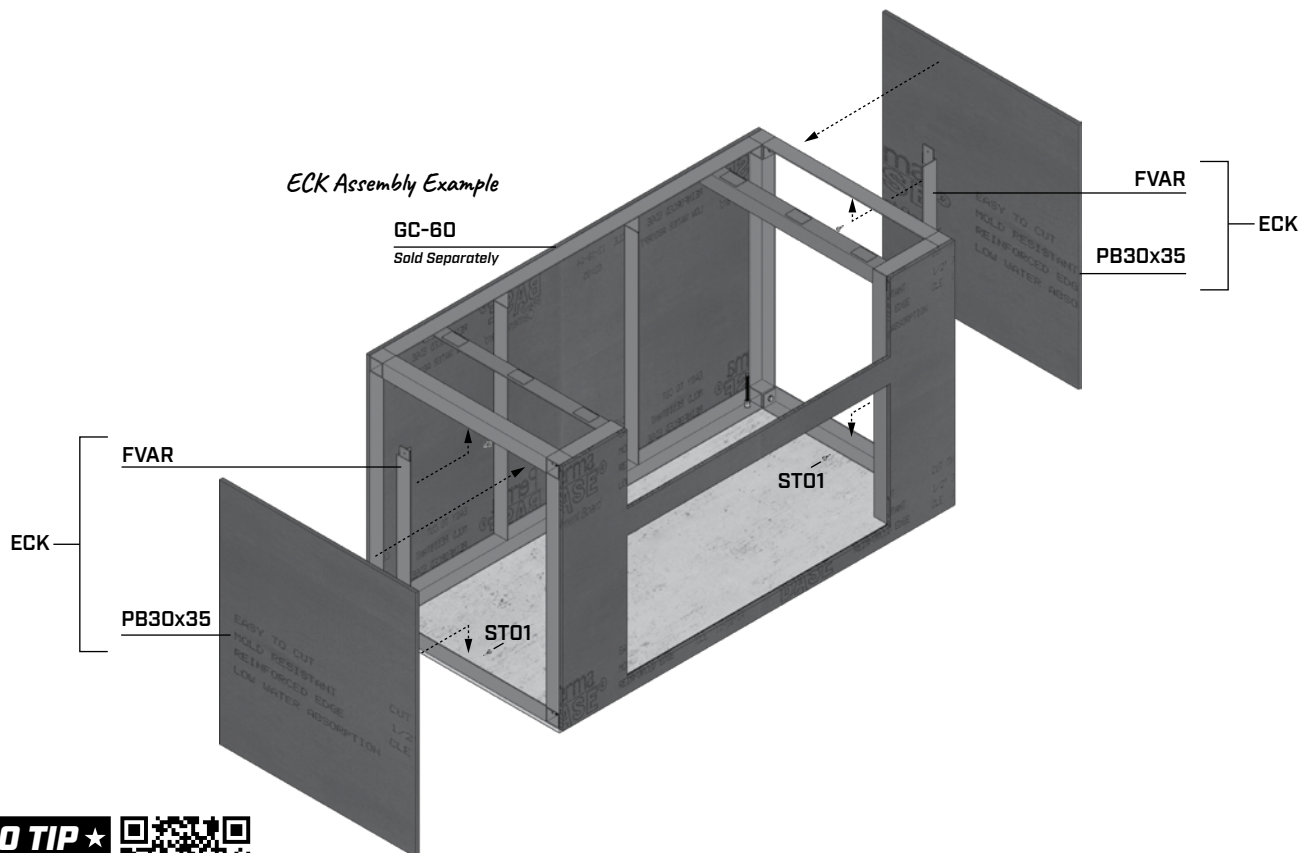
ST02 x15
T25 Screw



PB##x## x2
Cladding panel where ##x##
is the width and the depth.
See example below.



FVAR x2
Full Vertical
Adjustable Rail



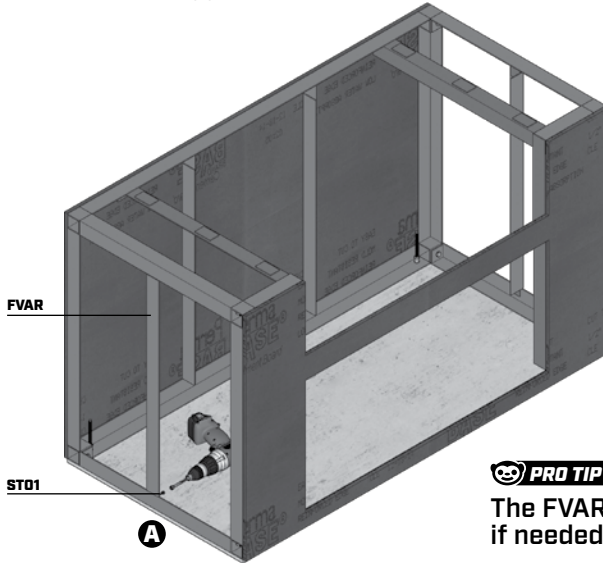
Point your smart-phone
camera at this QR code!

Monkey see, monkey do! Watch a product assembly video and read through these steps before you begin building your cabinet!

END CLADDING KIT

ECK Assembly Steps » ECK assembly with GC-60 shown.
The same steps apply for any ECK size and cabinet combination.

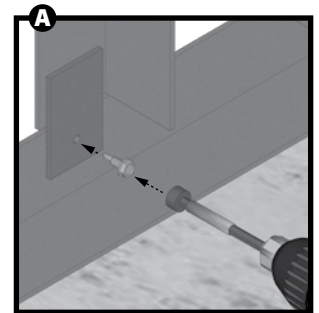
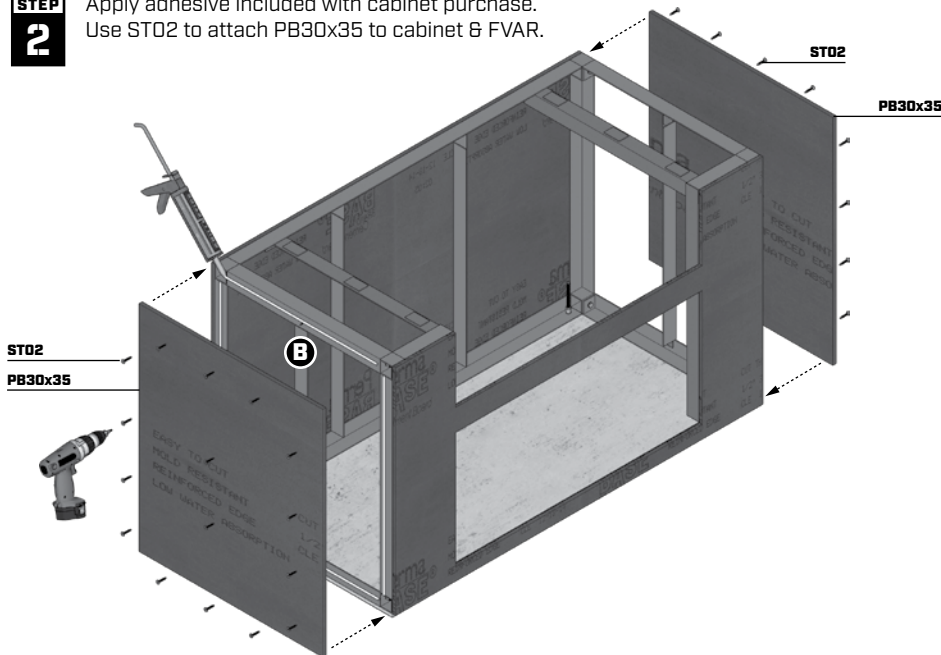
STEP 1 Install FVAR to interior of cabinet.



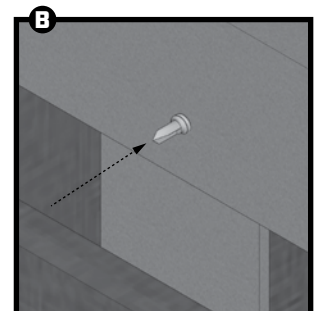
PRO TIP ★

The FVAR can be installed off center if needed but it must be installed vertically.

STEP 2 Apply adhesive included with cabinet purchase. Use ST02 to attach PB30x35 to cabinet & FVAR.



Use **ST01** to fasten **FVAR** to the interior of the cabinet frame.

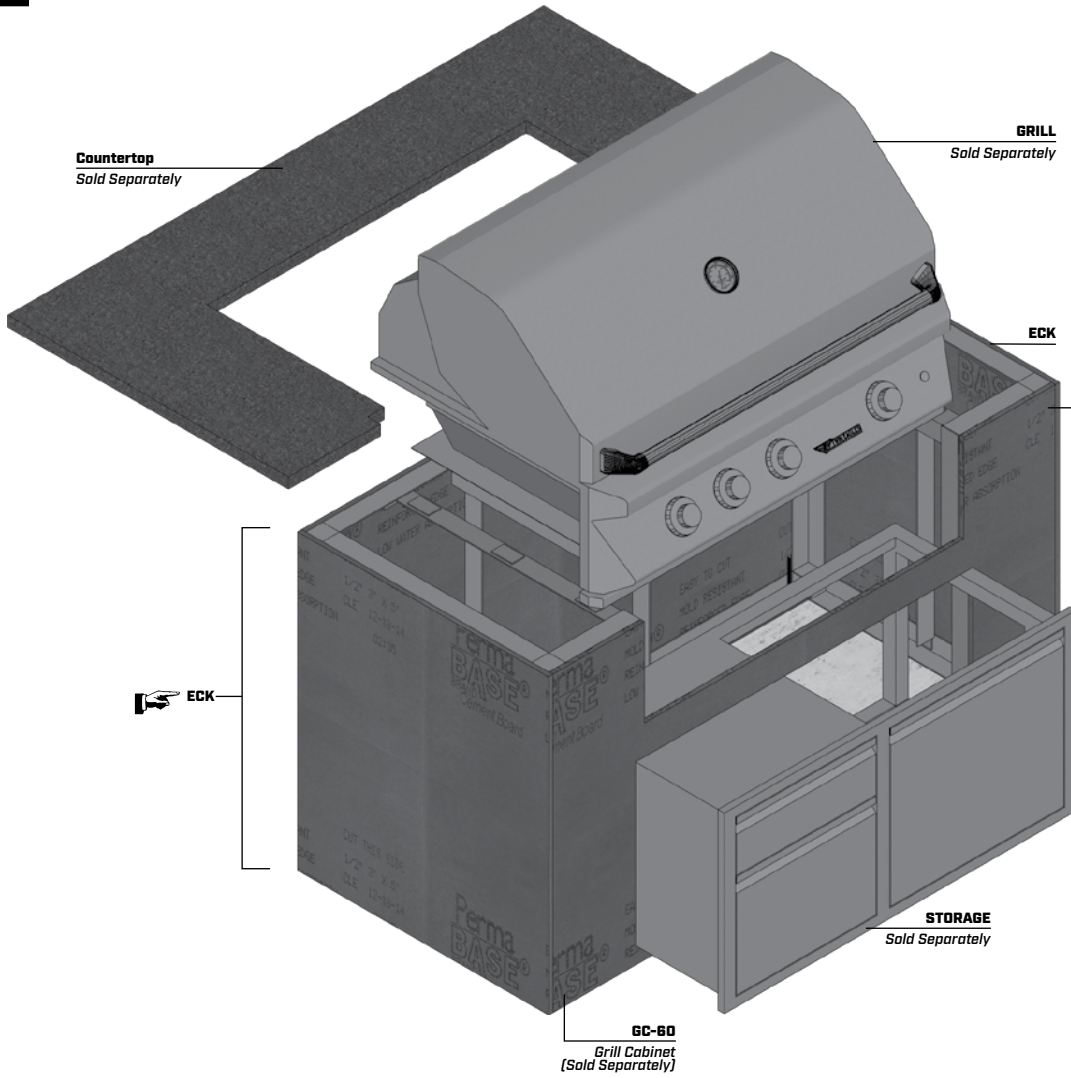


Use exposed **ST01** end to tack **PB30x35** in place.

END CLADDING KIT

ECK Layout Example

STEP 3 Finish to your liking after installing equipment and accessories.



FINISH OPTIONS
The choice is yours!

- STONE PANELING
- STUCCO
- COATED METAL
- WOOD COMPOSITE
- COBBLESTONE
- BRICK

STEP 4 Call the neighbors, you are now ready to celebrate your new outdoor kitchen!
Get your grill on! Check out our blog for recipes and maintenance tips!



Tag us on **Facebook, Instagram, or Twitter**
@grillnetics #BBQwinning

From everyone at **GRILLNETICS,**
Thank you!

SMALL BEVERAGE COOLER CABINET

Product Guide for All **SBC** Models



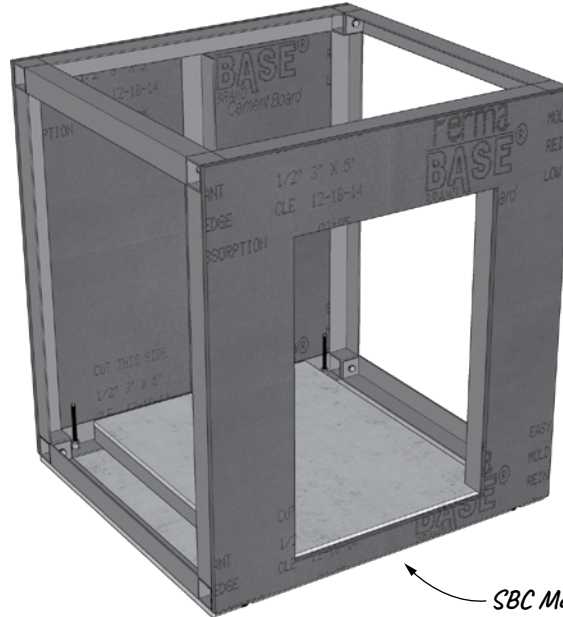
R060320

Scan QR Code
PRQ-Tips & More
Product Warranty
Videos, Orders

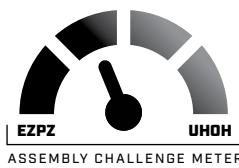


User safety depends on correct assembly!

This product guide contains important information for correct assembly. Always use proper safety methods and equipment to avoid injury and ensure product performance. If you have questions or need support call 1-855-906-3858 M-F 8am-5pm MST.



SBC Model Shown with Example Cutout



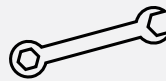
SUGGESTED TOOLS



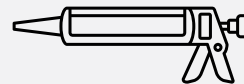
SAFETY GLASSES



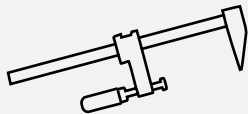
WORK GLOVES



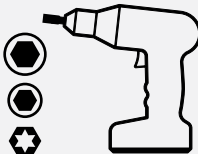
9/16" WRENCH OR SOCKET



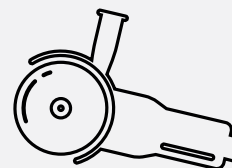
CAULK GUN



CLAMPS



POWER DRILL + 5/16", 1/4" HEX BITS + T25 BIT (INCLUDED)



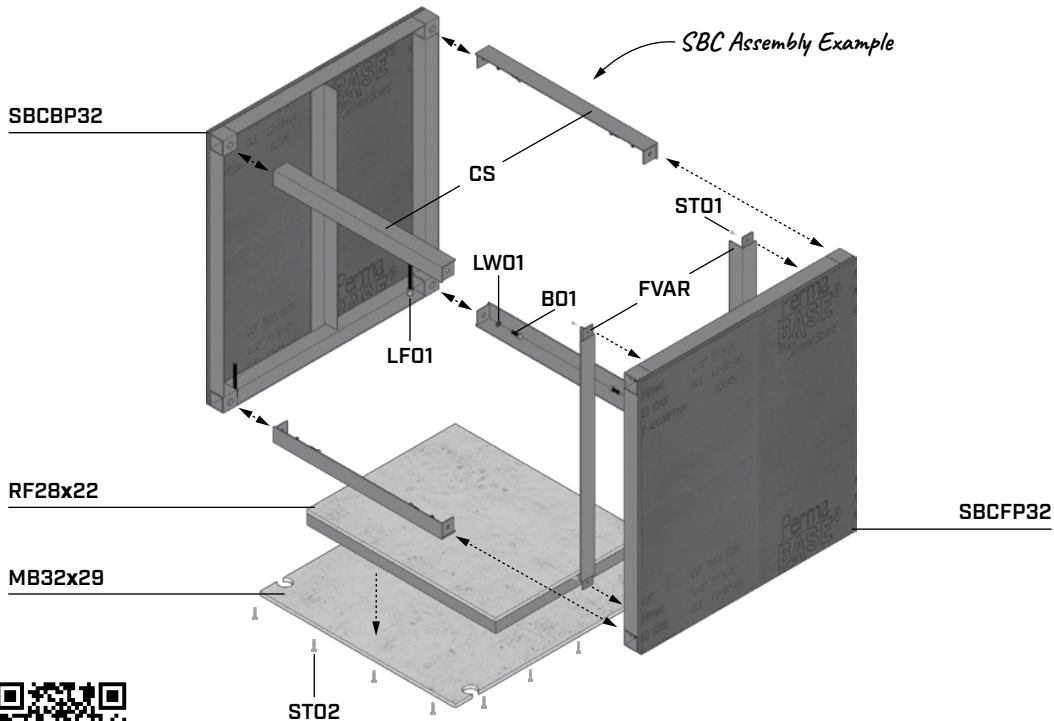
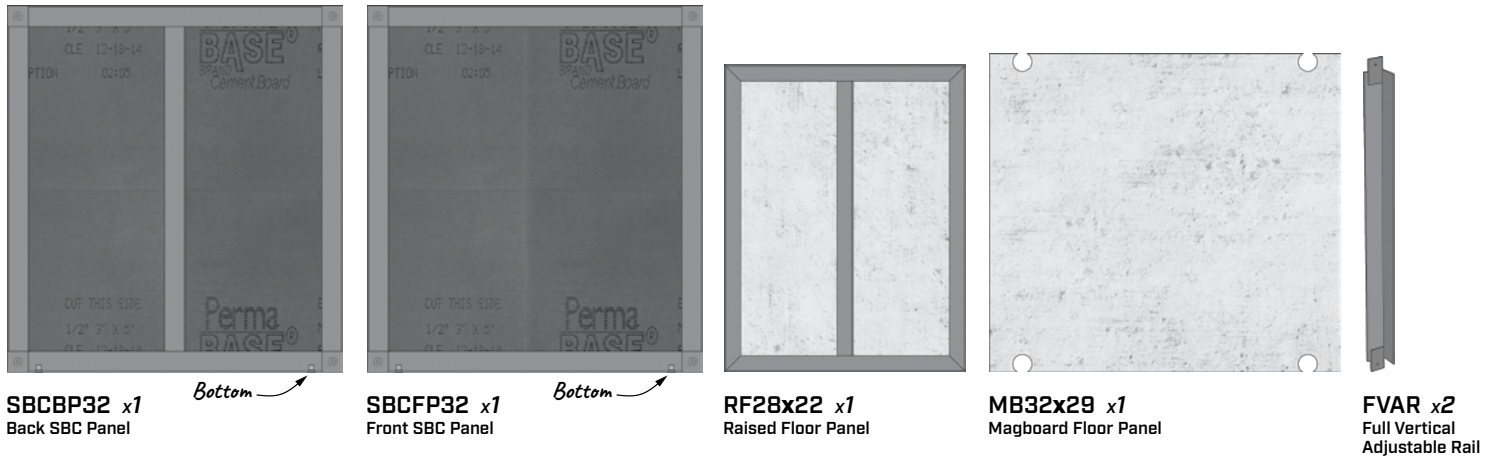
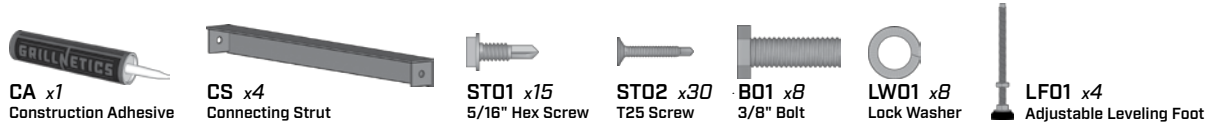
ANGLE GRINDER

©2020 GRILLNETICS, LLC

SMALL BEVERAGE COOLER CABINET

SBC Parts & Assembly Diagram

Check that you have all the listed parts. If any parts are missing **STOP** assembly and call 1-855-906-3858.



Point your smart-phone camera at this QR code!

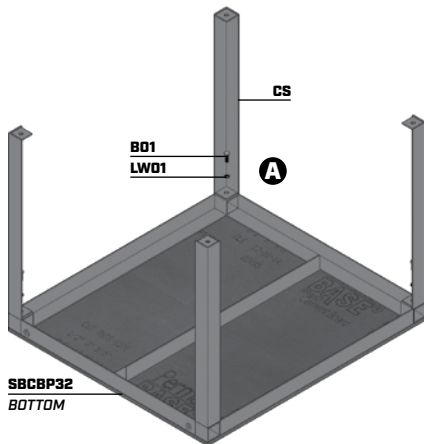


Monkey see, monkey do! Watch a product assembly video and read through these steps before you begin building your cabinet!

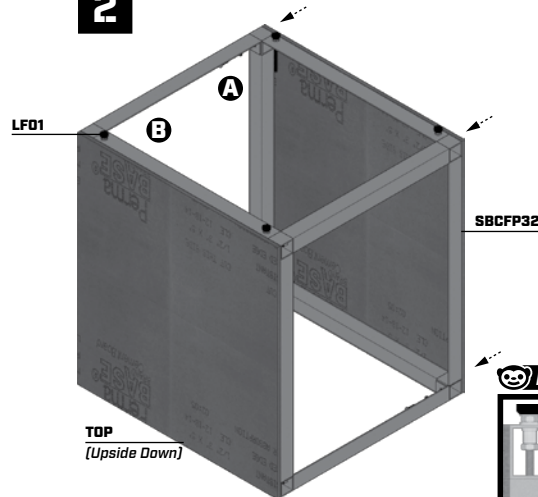
SMALL BEVERAGE COOLER CABINET

SBC Assembly Steps » SBC assembly shown. The same steps apply for any SBC size.

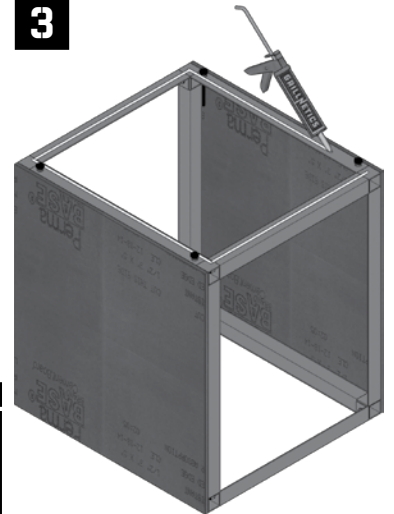
STEP 1



STEP 2

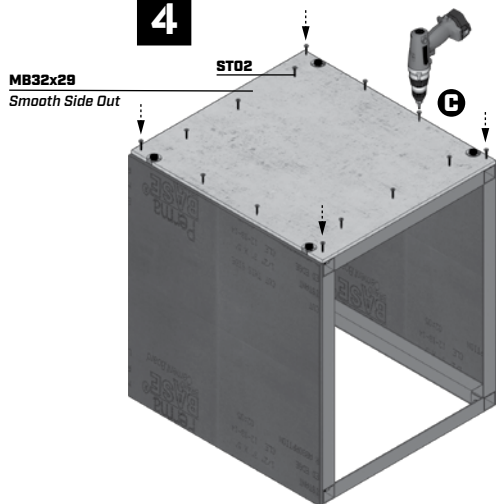


STEP 3

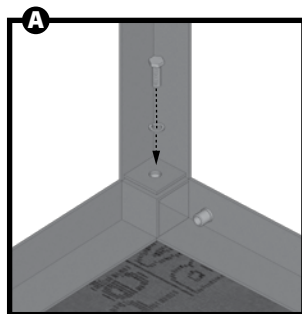
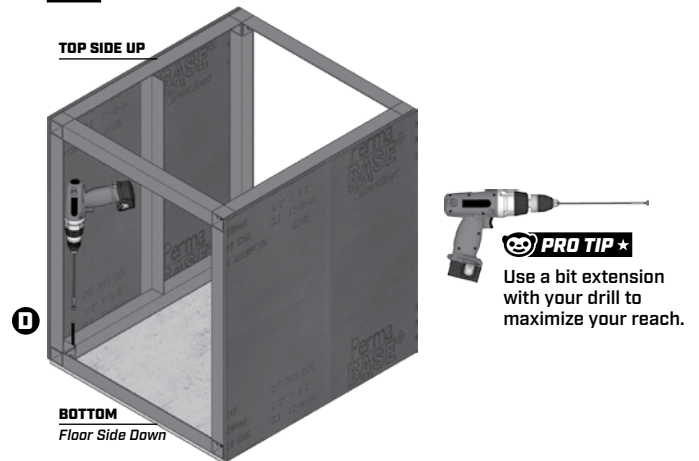


Check that parts are assembled flush before fully tightening, gluing or screwing.

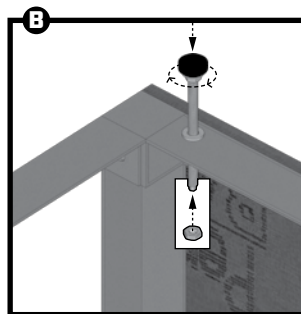
STEP 4



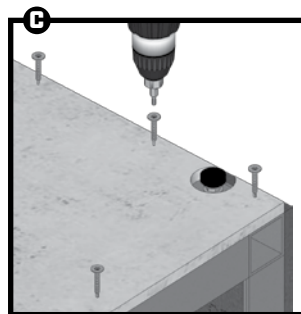
STEP 5



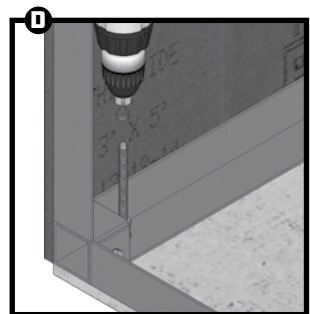
Use **LW01** + **B01** to connect parts.
PRO TIP: Do NOT overtighten!



Remove nut from **LFO1** and twist until tight. Re-thread nut on **LFO1**.



After applying adhesive, use **ST02** + **T25** to fasten **MB32x29** to cabinet.

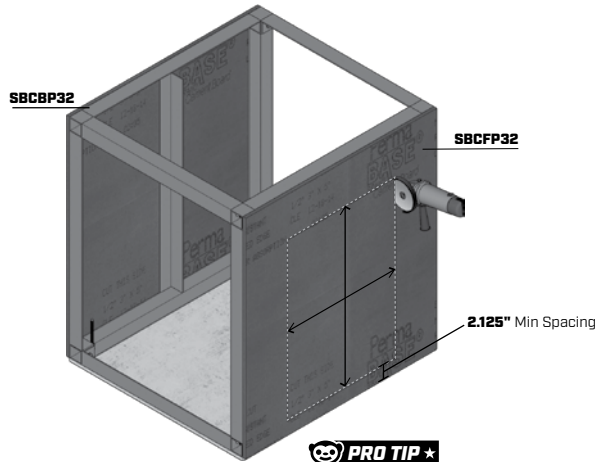


Use **1/4"** bit with drill or **9/16"** wrench to adjust **LFO1** leveling feet as needed.

SMALL BEVERAGE COOLER CABINET

SBC Assembly Steps

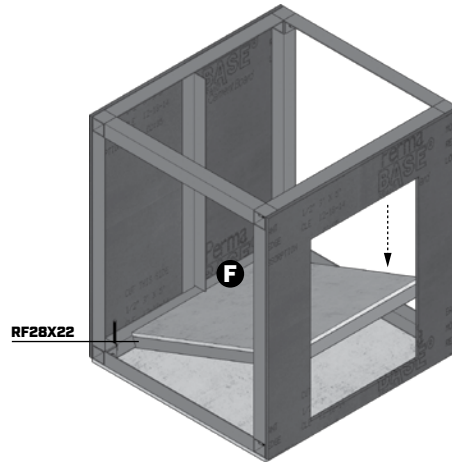
STEP 6 Reposition SBC so floor side is down. Mark cutout on SBCFP32 according to manufacturer's specifications.



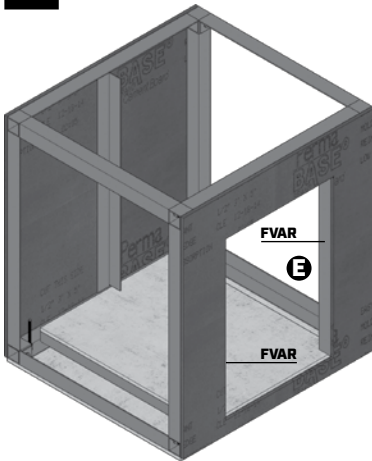
PRO TIP ★

Divide your total cutout width in half & mark that length to the left and right of true center. Leave room for supports (maximum cutout width for any SBC cabinet is its width minus 8.25").

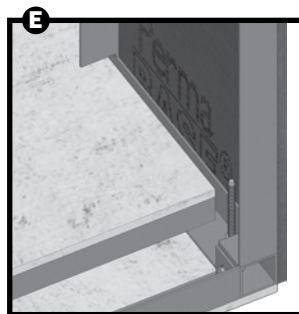
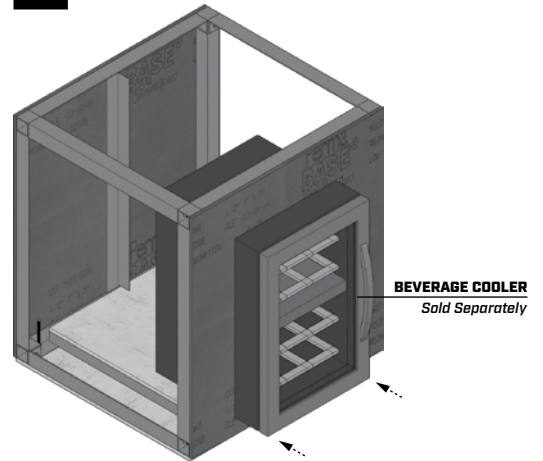
STEP 7



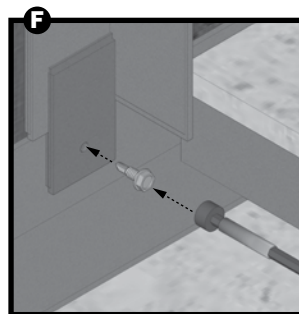
STEP 8 Use ST01 to fasten FVAR to the inside of SBCFP32.



STEP 9



Use **ST01** to fasten **FVAR** to the interior of **SBCFP32**.



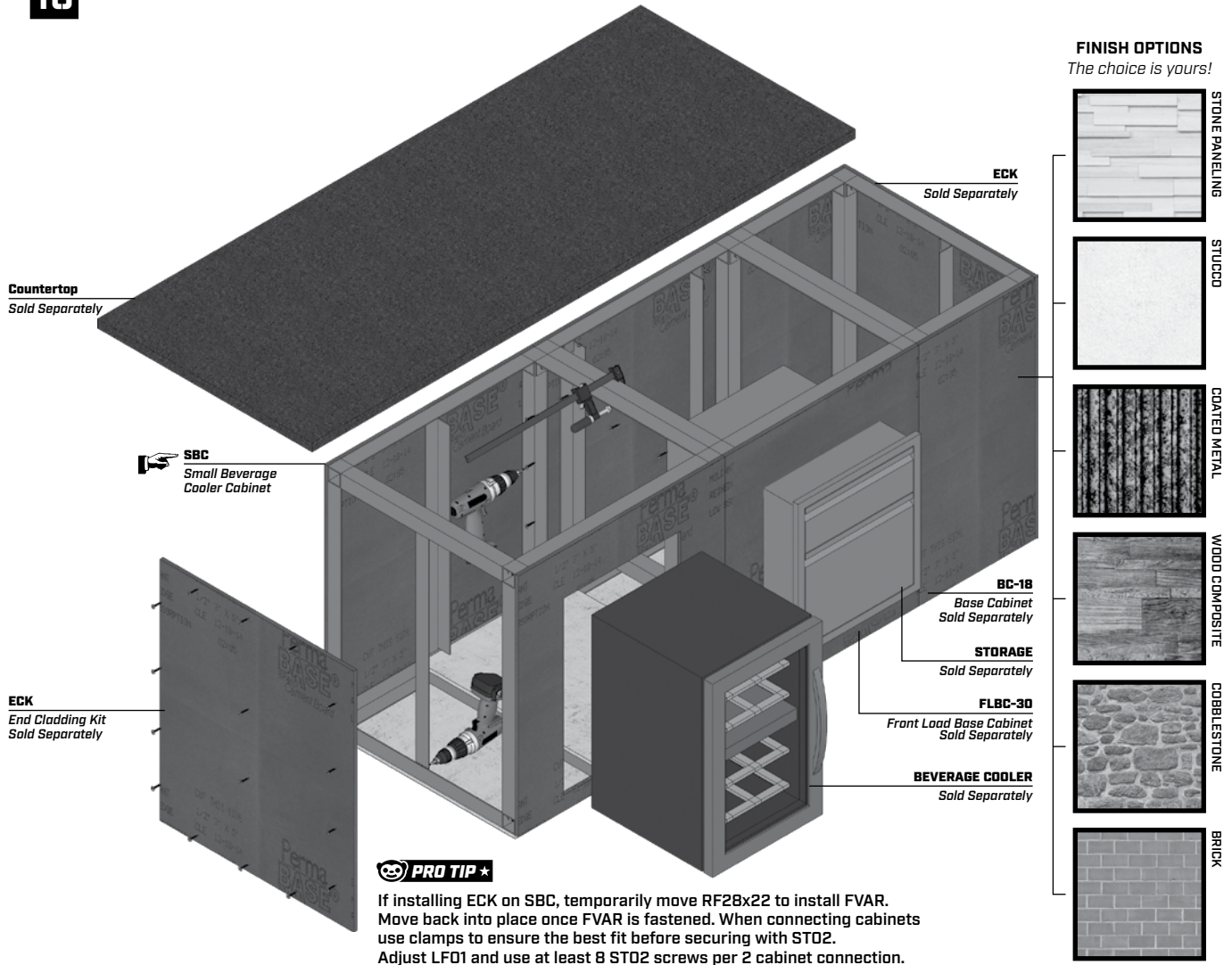
Place **RF28X22** on top of **MB32X29**.

SMALL BEVERAGE COOLER CABINET

SBC Layout Example

STEP 10

Connect cabinets using ST02. Use ECK to enclose ends. Finish to your liking after installing equipment and accessories.



STEP 11

Call the neighbors, you are now ready to celebrate your new outdoor kitchen!
Get your grill on! Check out our blog for recipes and maintenance tips!



Tag us on **Facebook**, **Instagram**, or **Twitter**
@grillnetics #BBQwinning

From everyone at **GRILLNETICS**,

Thank you!

BACK FRAME WITH CLADDING

Product Guide for All BFC Models



R051320

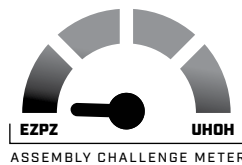
Scan QR Code
PRQ-Tips & More
Product Warranty
Videos, Orders

User safety depends on correct assembly!

This product guide contains important information for correct assembly. Always use proper safety methods and equipment to avoid injury and ensure product performance. If you have questions or need support call 1-855-906-3858 M-F 8am-5pm MST.



BFC-25 Model Shown



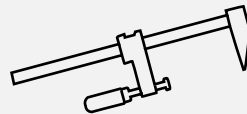
SUGGESTED TOOLS



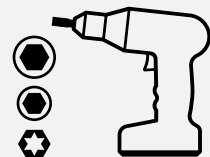
SAFETY GLASSES



WORK GLOVES



CLAMPS



POWER DRILL + 5/16", 1/4" HEX BITS + T25 BIT (INCLUDED)

©2020 GRILLNETICS, LLC

BACK FRAME WITH CLADDING

BFC Parts & Assembly Diagram

BFC Assembly Steps » BFC-25 assembly shown. The same steps apply for any BFC size.

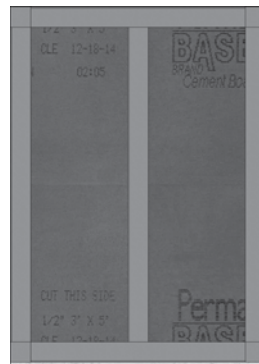
Check that you have all the listed parts. If any parts are missing **STOP** assembly and call 1-855-906-3858.



ST01 x8
5/16" Hex Screw



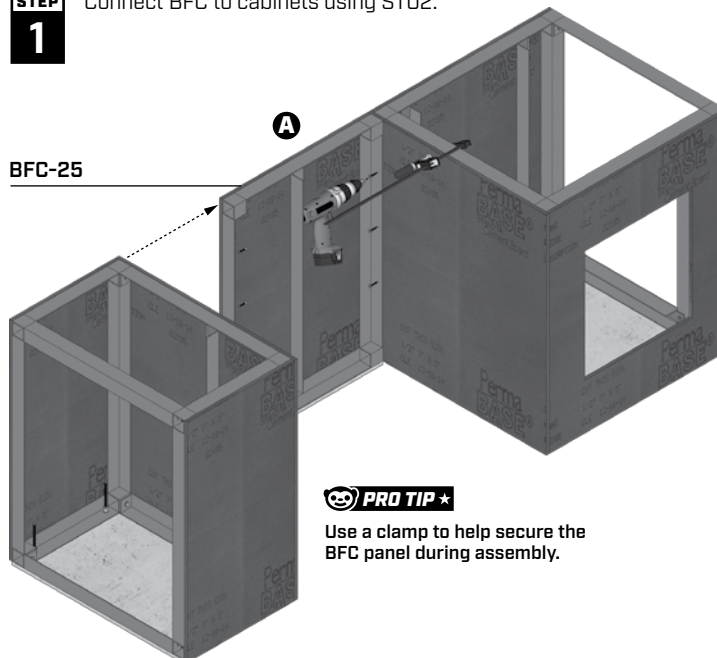
ST02 x20
T25 Screw



Bottom

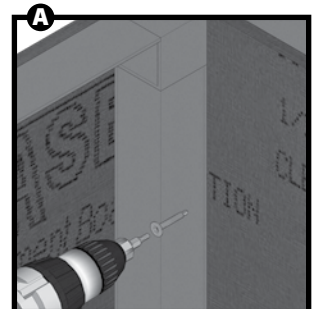
BFC-## x1
Pre-sheathed back frame panel
where ## will be the width
of the panel. See example below.

STEP 1 Connect BFC to cabinets using ST02.



PRO TIP ★

Use a clamp to help secure the BFC panel during assembly.



Use **ST02** to connect BFC to cabinets.

PRO TIP ★



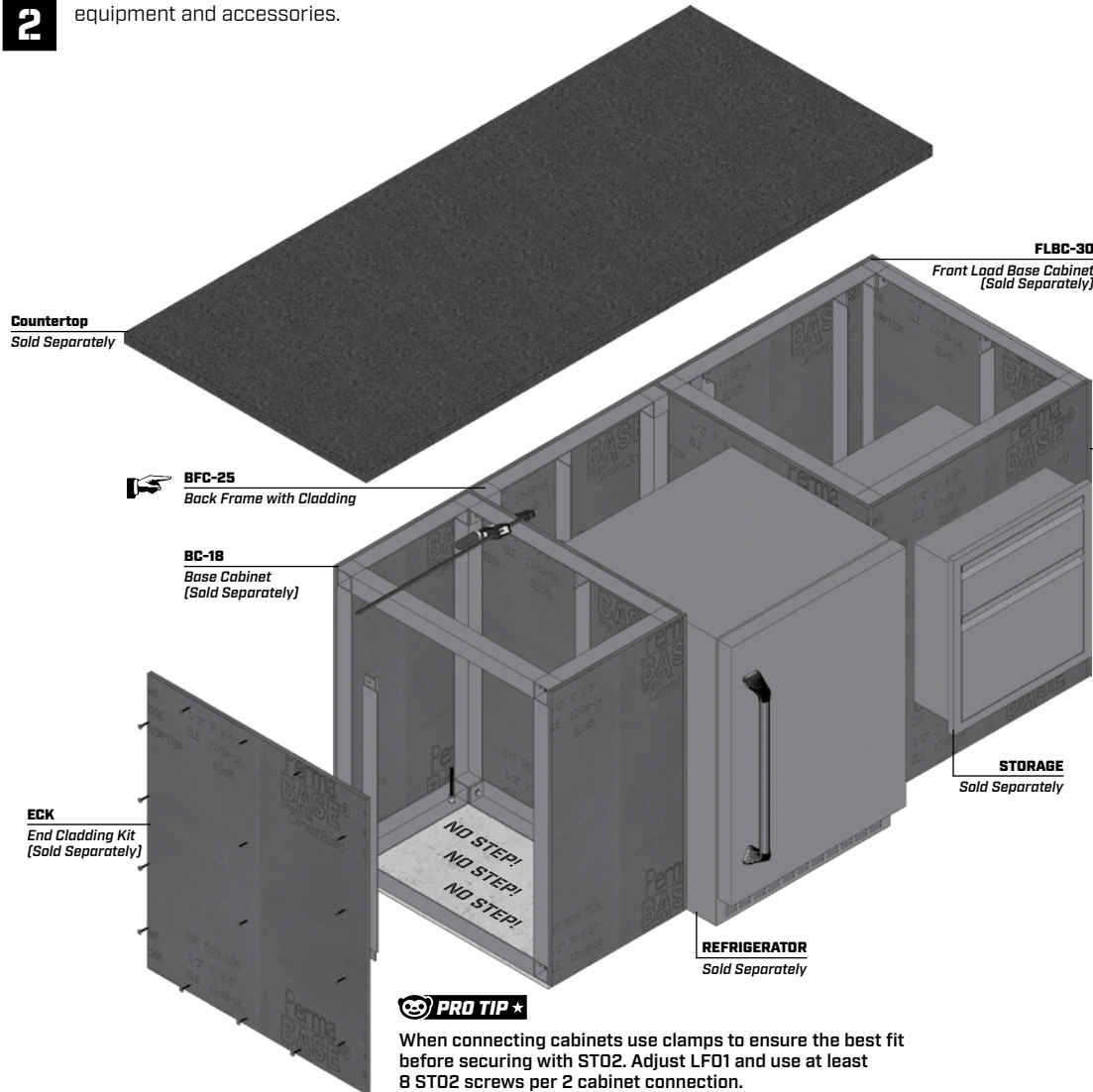
Point your smart-phone camera at this QR code!

Monkey see, monkey do! Watch a product assembly video and read through these steps before you begin building your cabinet!

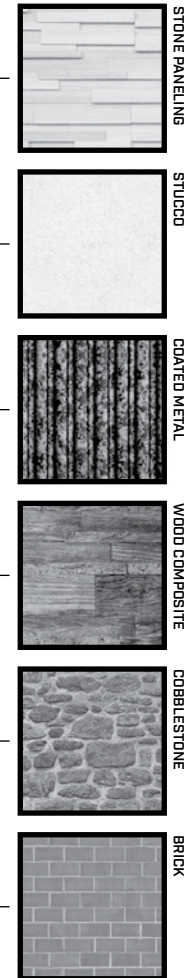
BACK FRAME WITH CLADDING

BFC Layout Example

STEP 2 Finish to your liking after installing equipment and accessories.



FINISH OPTIONS
The choice is yours!



STEP 3 Call the neighbors, you are now ready to celebrate your new outdoor kitchen!
Get your grill on! Check out our blog for recipes and maintenance tips!



Tag us on **Facebook, Instagram, or Twitter**
@grillnetics #BBQwinning

From everyone at **GRILLNETICS,**
Thank you!

CORNER CABINET

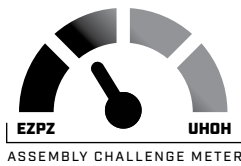
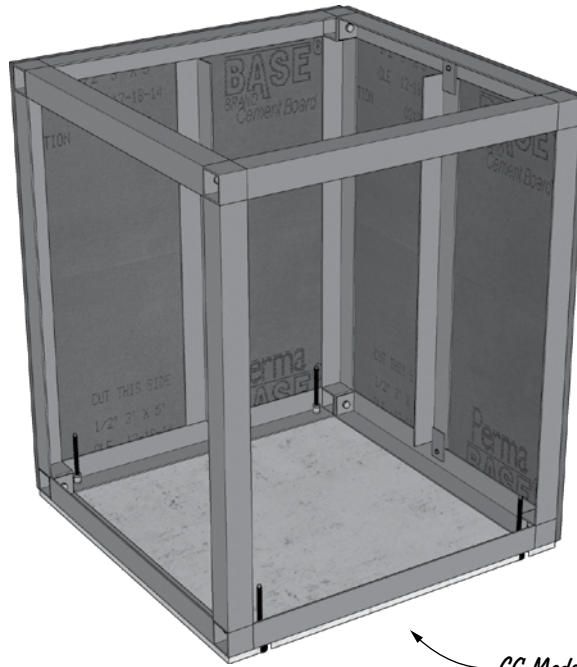
Product Guide for All CC Models



R060320

Scan QR Code
PRC-Tips & More
Product Warranty
Videos, Orders

User safety depends on correct assembly!
This product guide contains important information for correct assembly.
Always use proper safety methods and equipment to avoid injury and ensure product performance.
If you have questions or need support call 1-855-906-3858 M-F 8am-5pm MST.



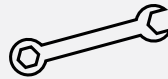
SUGGESTED TOOLS



SAFETY GLASSES



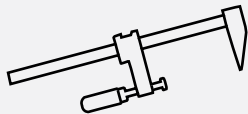
WORK GLOVES



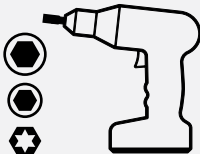
9/16" WRENCH
OR SOCKET



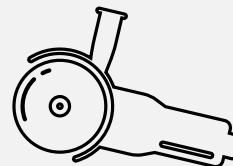
CAULK GUN



CLAMPS



POWER DRILL + 5/16", 1/4" HEX
BITS + T25 BIT (INCLUDED)



ANGLE GRINDER

©2020 GRILLNETICS, LLC

CORNER CABINET

CC Parts & Assembly Diagram

Check that you have all the listed parts. If any parts are missing **STOP** assembly and call 1-855-906-3858.



CA x1
Construction Adhesive



CS x4
Connecting Strut



ST01 x15
5/16" Hex Screw



ST02 x30
T25 Screw



B01 x8
3/8" Bolt



LW01 x8
Lock Washer



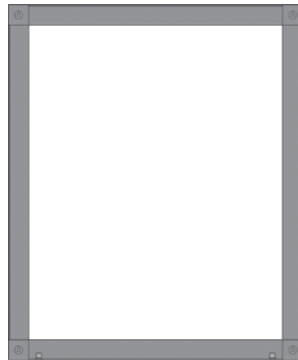
BTT25 x1
T25 Torx Bit



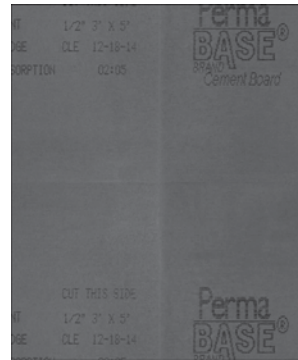
LF01 x4
Adjustable Leveling Foot



CCBP29 x1
Back CC panel where the standard width is 29".



CCFP29 x1
Front CC panel where the standard width is 29".



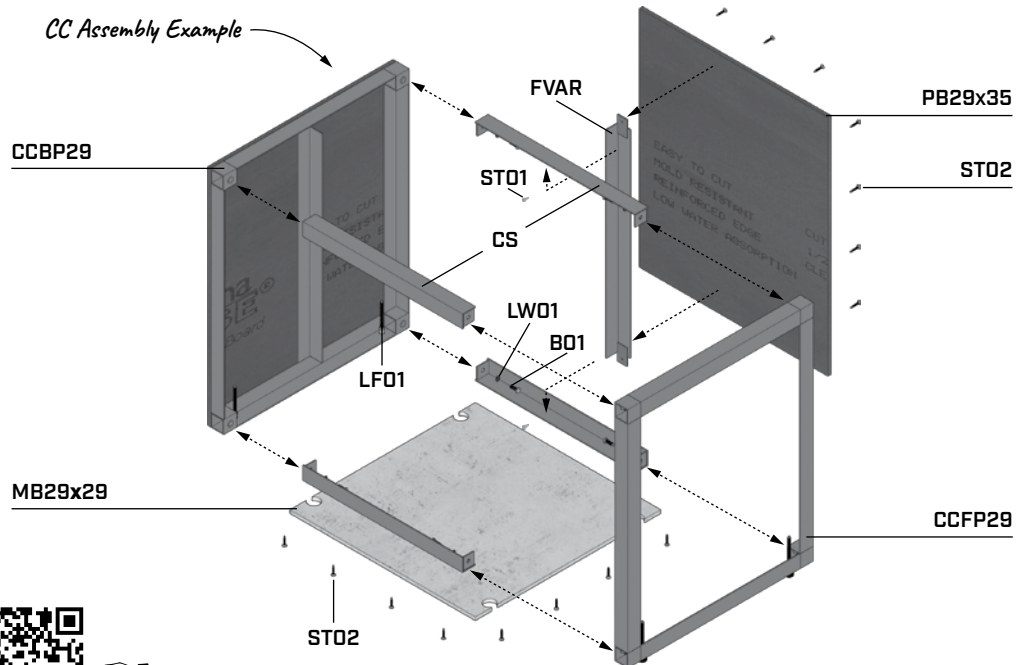
PB29x35 x1
Perma board panel where 29" is the width and 35" is the height.



MB29x29 x1
Magboard floor panel where 29" is the width and 29" is the depth.



FVAR x1
Full Vertical Adjustable Rail



Point your smart-phone camera at this QR code!

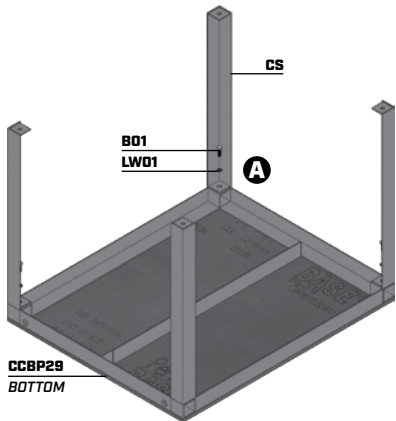


Monkey see, monkey do! Watch a product assembly video and read through these steps before you begin building your cabinet!

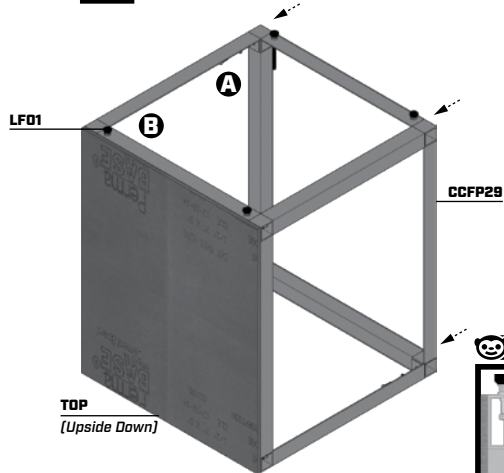
CORNER CABINET

CC Assembly Steps » CC assembly shown. The same steps apply for any CC size.

STEP 1



STEP 2

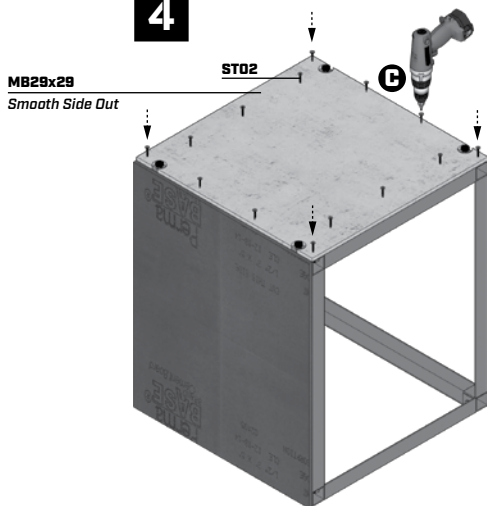


STEP 3



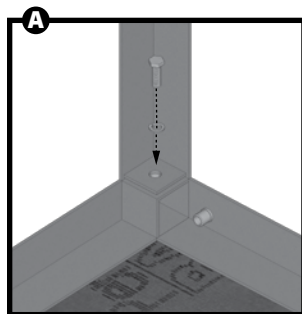
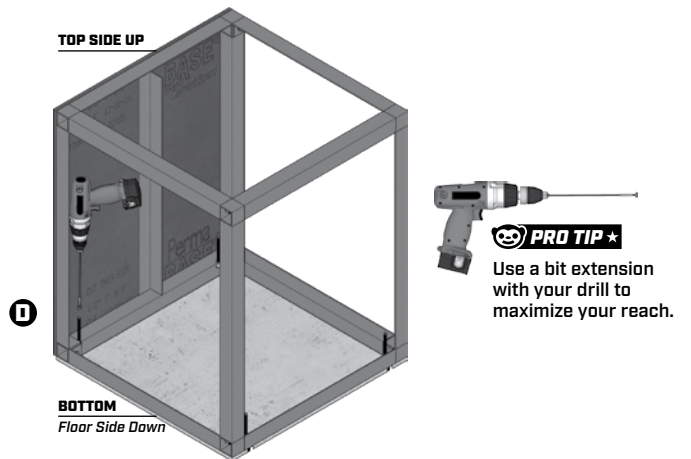
Check that parts are assembled flush before fully tightening, gluing or screwing.

STEP 4

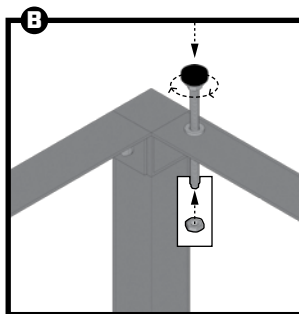


STEP 5

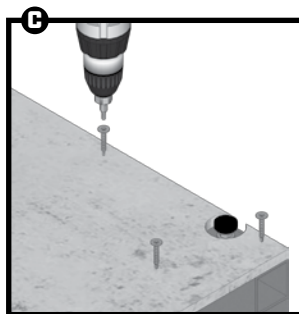
Reposition cabinet so top side is up.



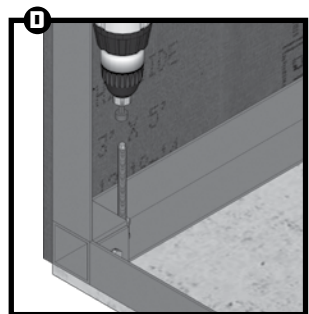
Use LW01 + BD1 to connect parts.
PRO TIP: Do NOT overtighten!



Remove nut from LFO1 and twist until tight. Re-thread nut on LFO1.



After applying adhesive, use ST02 + T25 to fasten MB29x29 to cabinet.

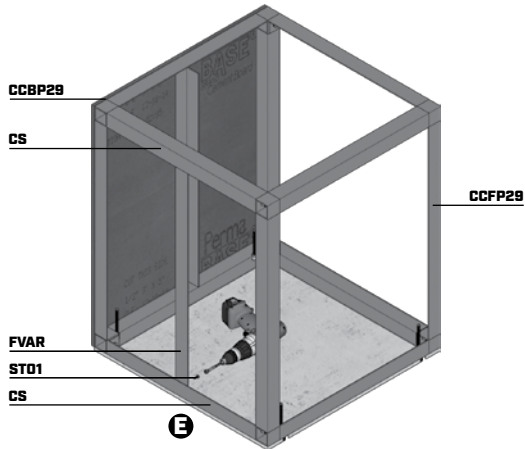


Use 1/4" bit with drill or 9/16" wrench to adjust LFO1 leveling feet as needed.

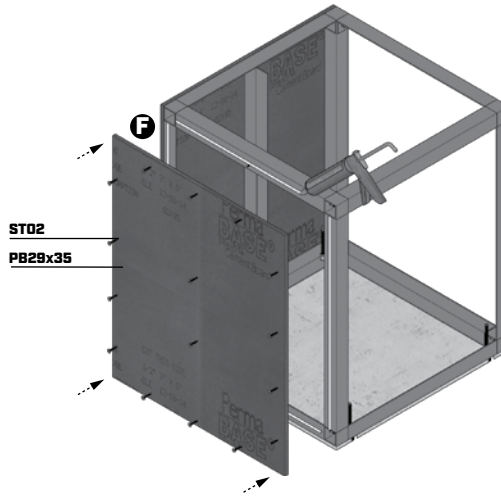
CORNER CABINET

CC Assembly Steps

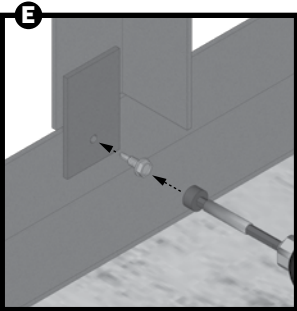
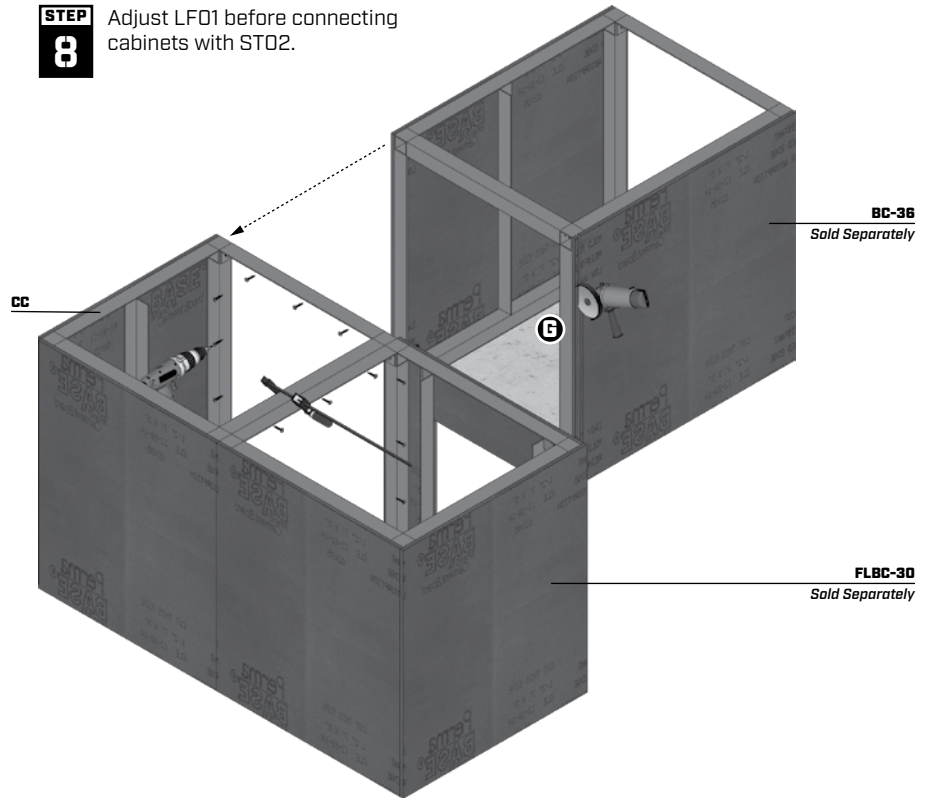
STEP 6 Install FVAR and connect to CS on either side of CC. Do not install on CCFP29!



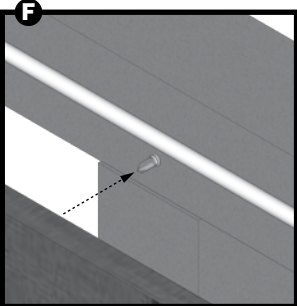
STEP 7 Connect PB29x35 to FVAR and CS using ST02.



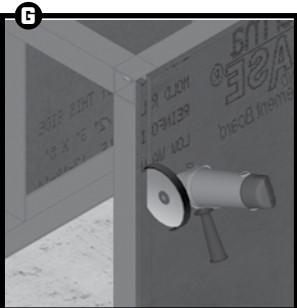
STEP 8 Adjust LF01 before connecting cabinets with ST02.



Use **ST01** to fasten **FVAR** to the interior of the cabinet frame.



Use the exposed end of **ST01** to align the placement of the Perma Board.



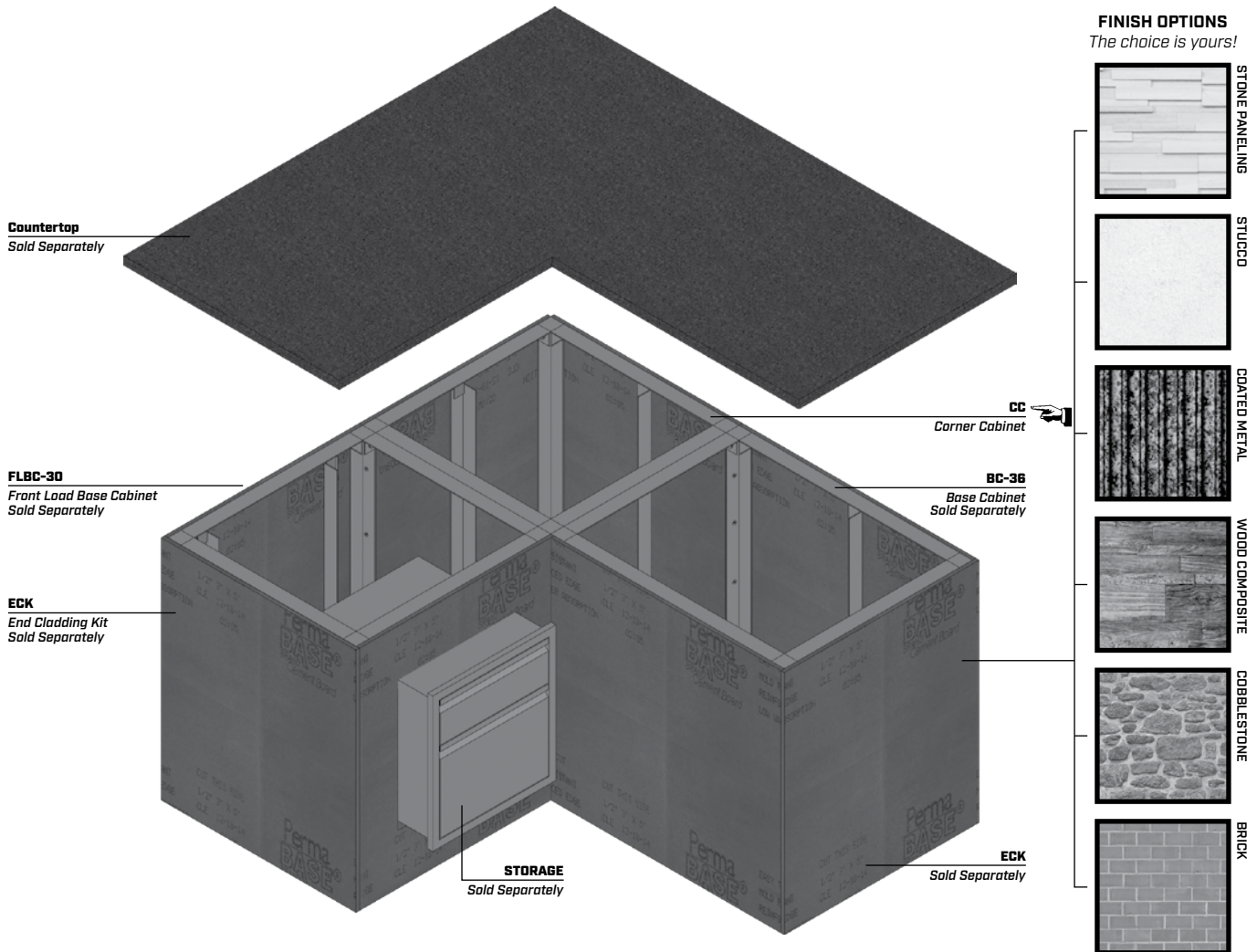
Use an angle grinder with a diamond blade to cut 1/2" Perma Base off of one of the connecting cabinets.

CORNER CABINET

CC Layout Example

STEP
9

Connect cabinets using ST02. Finish to your liking after installing equipment and accessories.



PRO TIP ★

When connecting cabinets use clamps to ensure the best fit before securing with ST02. Adjust LF01 and use at least 8 ST02 screws per 2 cabinet connection.

STEP
10

Call the neighbors, you are now ready to celebrate your new outdoor kitchen!
Get your grill on! Check out our blog for recipes and maintenance tips!



Tag us on **Facebook**, **Instagram**, or **Twitter**
@grillnetics #BBQwinning

From everyone at **GRILLNETICS**,
Thank you!

WEDGE BASE CABINET

Product Guide for All WBC Models



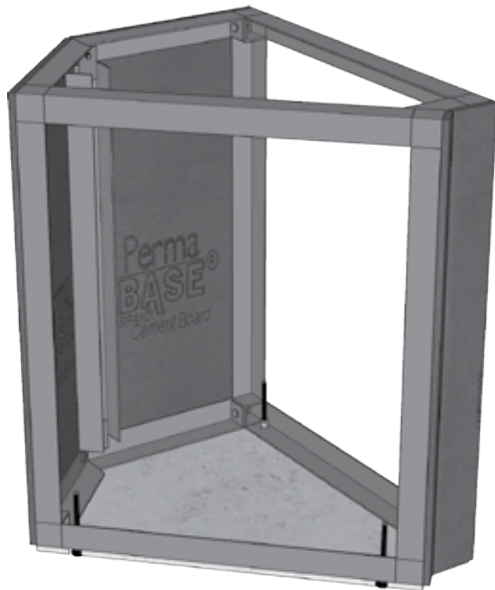
R060320

Scan QR Code
Product Warranty
PRO-Tips & More
Videos, Orders

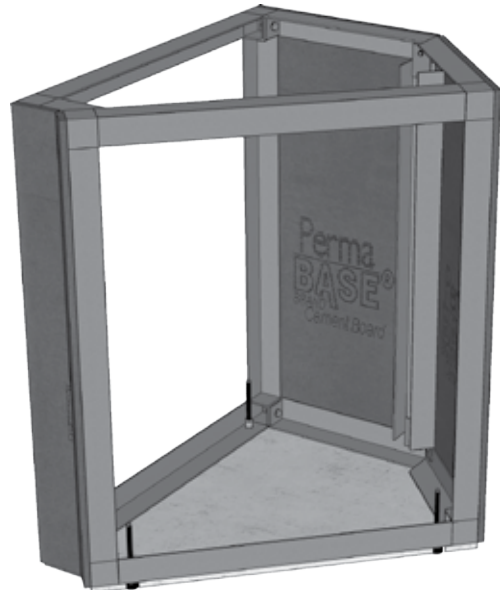


User safety depends on correct assembly!

This product guide contains important information for correct assembly. Always use proper safety methods and equipment to avoid injury and ensure product performance. If you have questions or need support call 1-855-906-3858 M-F 8am-5pm MST.



WBC-L Model Shown
pp. 2-6



WBC-R Model Shown
pp. 7-11



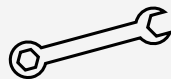
SUGGESTED TOOLS



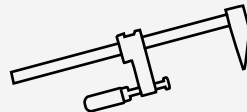
SAFETY GLASSES



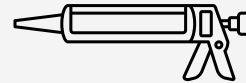
WORK GLOVES



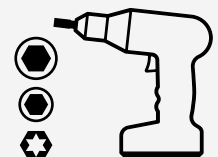
9/16" WRENCH
OR SOCKET



CLAMPS



CAULK GUN



POWER DRILL + 5/16", 1/4" HEX
BITS + T25 BIT (INCLUDED)

@2020 GRILLNETICS, LLC

WEDGE BASE CABINET

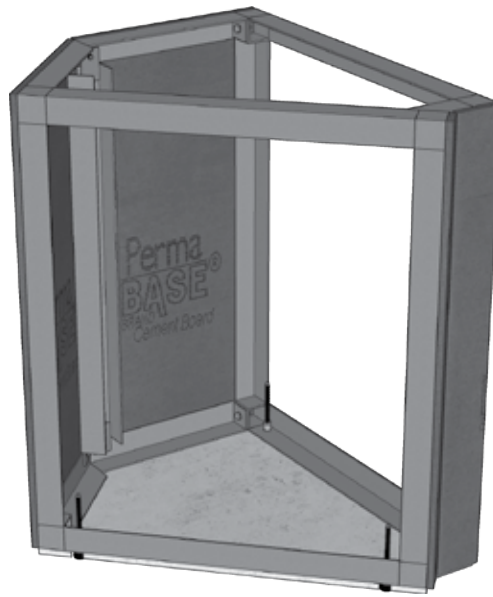
Product Guide for All WBC-L Models



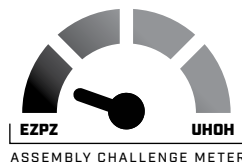
R060320

Scan QR Code
PRQ-Tips & More
Product Warranty
Videos, Orders

User safety depends on correct assembly!
This product guide contains important information for correct assembly.
Always use proper safety methods and equipment to avoid injury and ensure product performance.
If you have questions or need support call 1-855-906-3858 M-F 8am-5pm MST.



WBC-L Model Shown



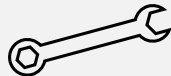
SUGGESTED TOOLS



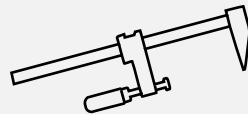
SAFETY GLASSES



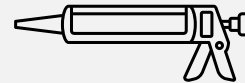
WORK GLOVES



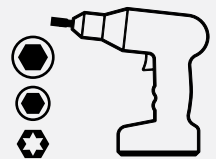
9/16" WRENCH
OR SOCKET



CLAMPS



CAULK GUN



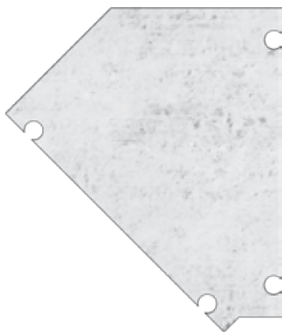
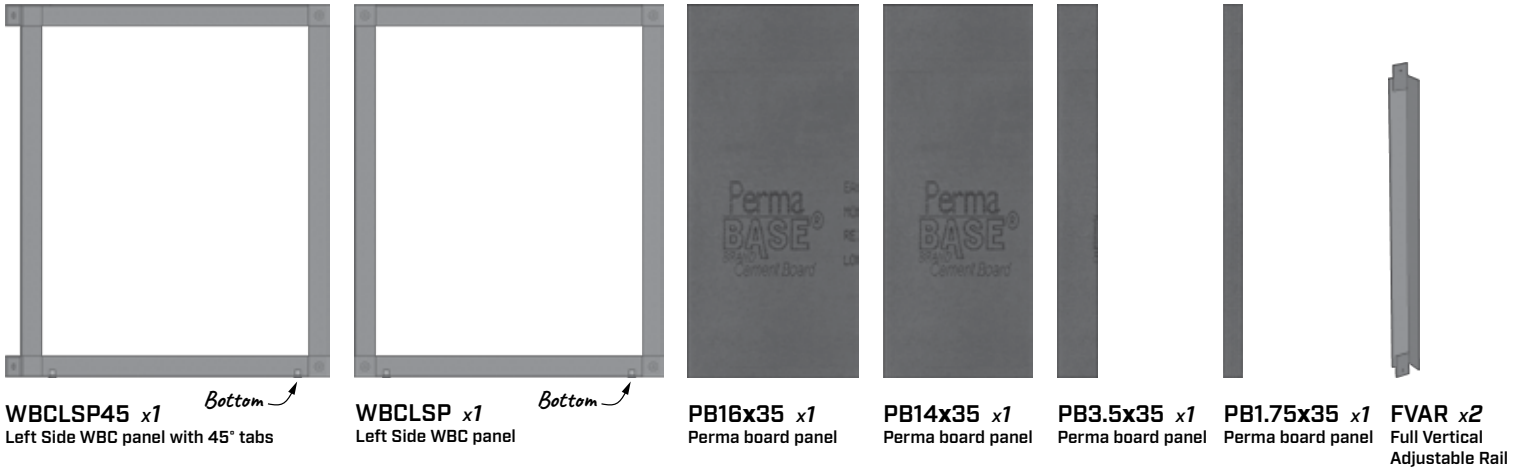
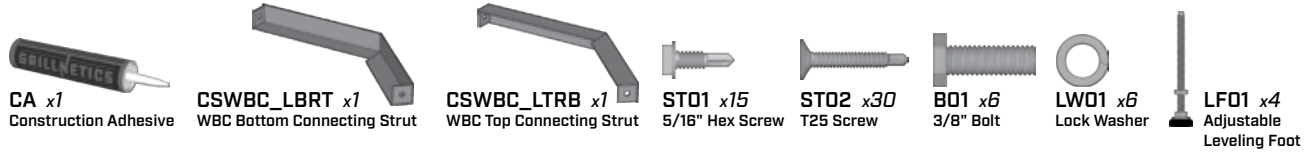
POWER DRILL + 5/16", 1/4" HEX
BITS + T25 BIT (INCLUDED)

@2020 GRILLNETICS, LLC

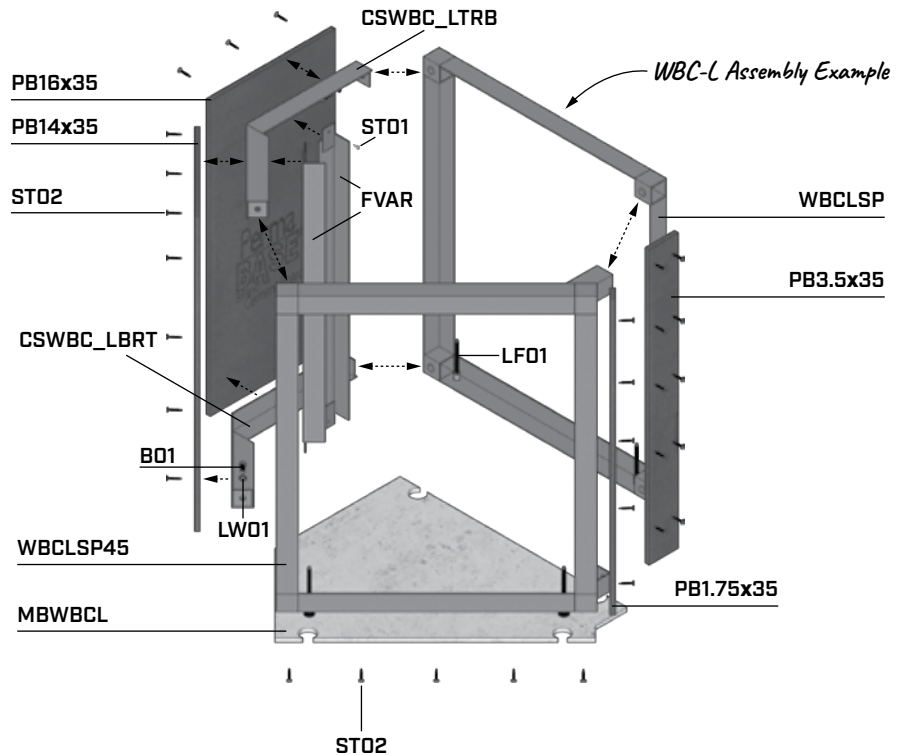
WEDGE BASE CABINET

WBC-L Parts & Assembly Diagram

Check that you have all the listed parts. If any parts are missing **STOP** assembly and call 1-855-906-3858.



MBWBCL x1
Left Magboard Floor Panel



PRO TIP ★



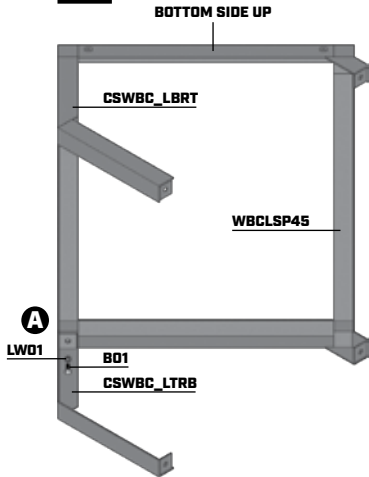
Point your smart-phone camera at this QR code!

Monkey see, monkey do! Watch a product assembly video and read through these steps before you begin building your cabinet!

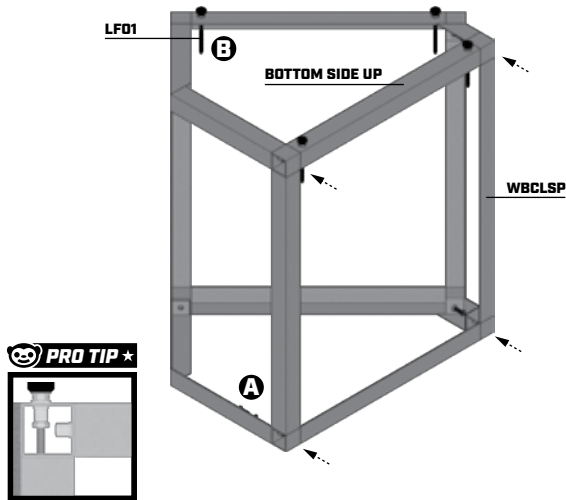
WEDGE BASE CABINET

WBC-L Assembly Steps » WBC-L assembly shown. The same steps apply for any WBC size.

STEP 1



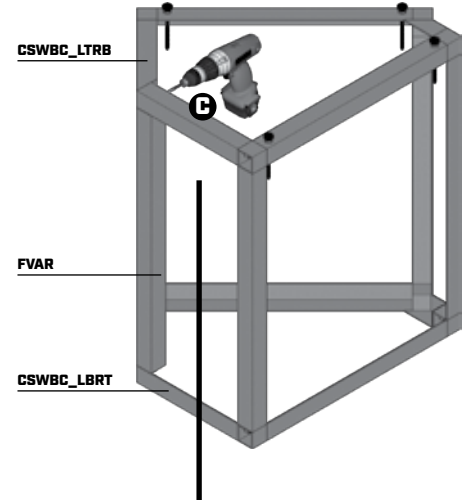
STEP 2



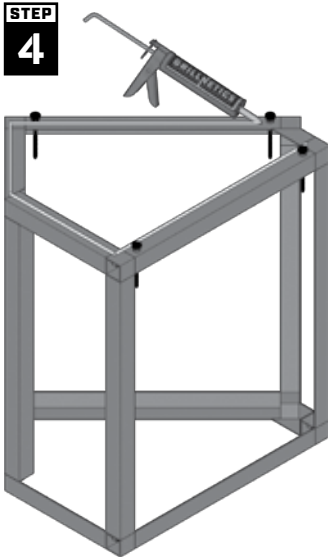
Check that parts are assembled flush before fully tightening, gluing or screwing.

STEP 3

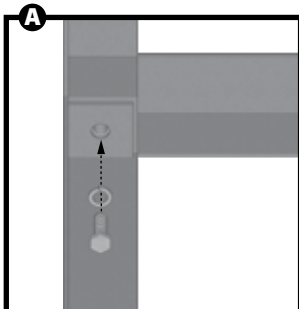
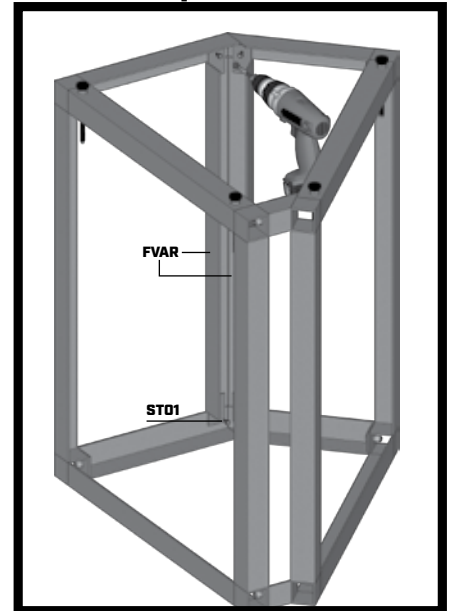
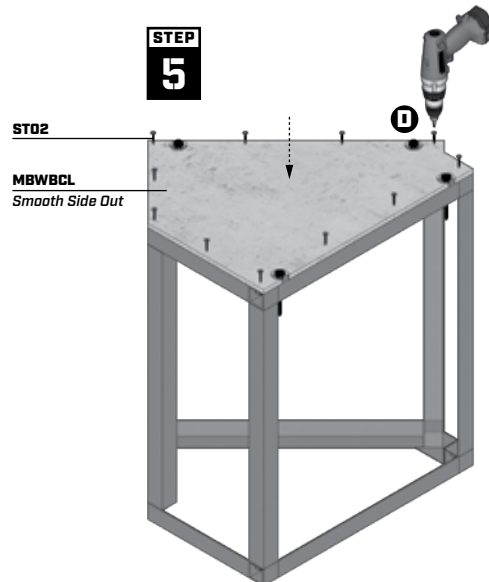
Install FVAR (2) to the interior of CSWBC_LTRB and CSWBC_LBRT.



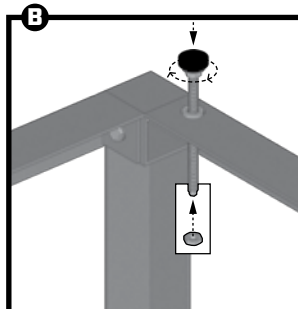
STEP 4



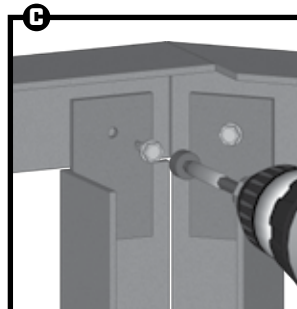
STEP 5



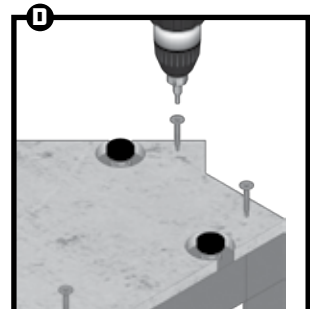
Use LWD1 + BD1 to connect parts.
PRO TIP: Do NOT overtighten!



Remove nut from LFD1 and twist until tight. Re-thread nut on LFD1.



Use ST01 to fasten FVAR (2) to CSWBC_LTRB and CSWBC_LBRT.

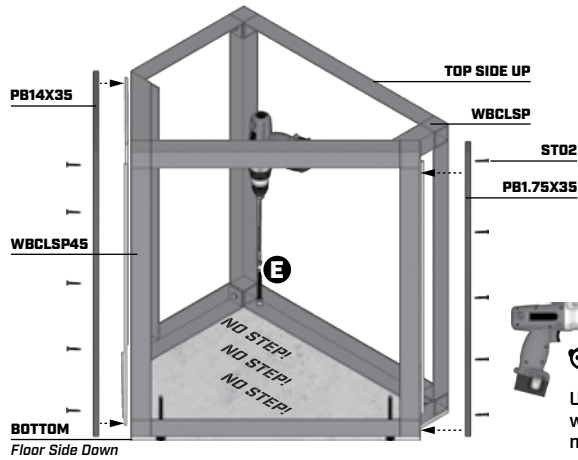


After applying adhesive, use ST02 + T25 to fasten MBWBCL to cabinet.

WEDGE BASE CABINET

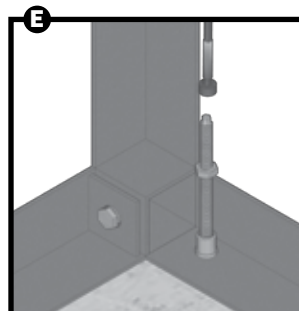
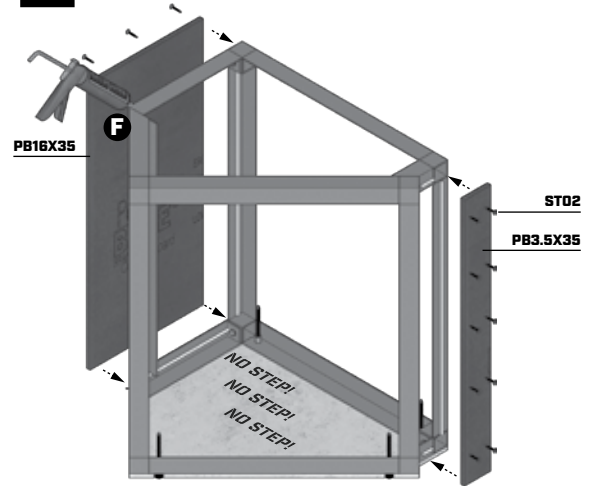
WBC-L Assembly Steps

STEP 6 Connect PB panels to CSWBC_LTRB and CSWBC_LBRT.

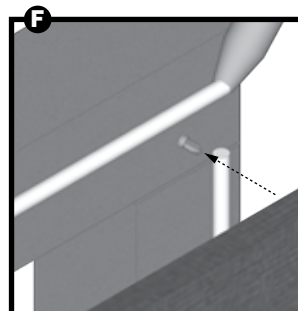


PRO TIP *
Use a bit extension with your drill to maximize your reach.

STEP 7 Connect PB panels to CSWBC_LTRB and CSWBC_LBRT.



Use 1/4" bit with drill or 9/16" wrench to adjust LF01 leveling feet.
PRO TIP: Loosen nut to adjust LF01 & retighten to lock in place.

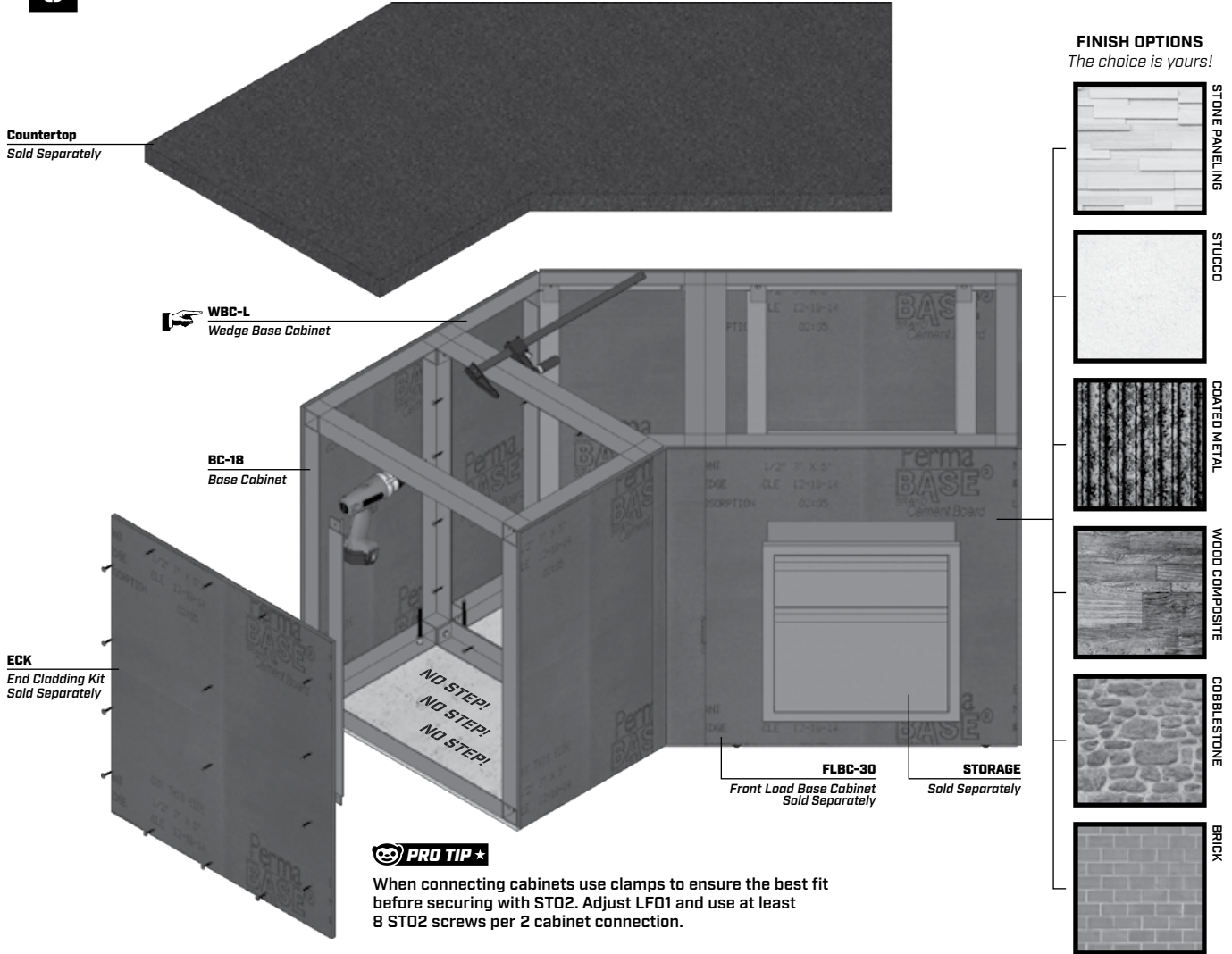


Use the exposed end of ST01 to help hold the Perma Board.

WEDGE BASE CABINET

WBC-L Layout Example

STEP 8 Connect cabinets using ST02. Use ECK to enclose ends. Finish to your liking after installing equipment and accessories.



STEP 9 Call the neighbors, you are now ready to celebrate your new outdoor kitchen!
Get your grill on! Check out our blog for recipes and maintenance tips!



Tag us on **Facebook**, **Instagram**, or **Twitter**
@grillnetics #BBQwinning

From everyone at **GRILLNETICS**,
Thank you!

WEDGE BASE CABINET

Product Guide for All WBC-R Models

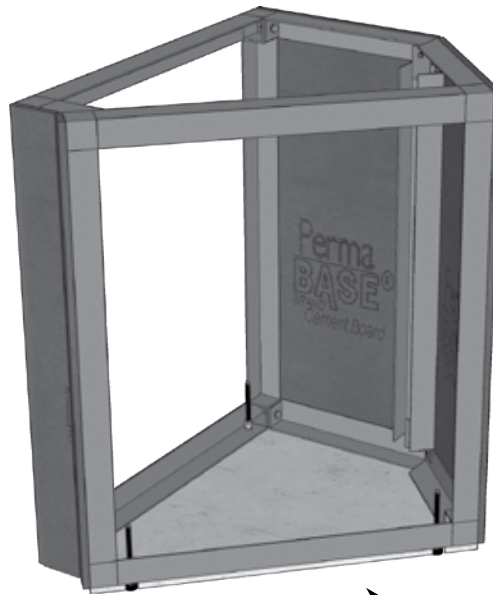


R060320

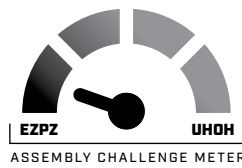


User safety depends on correct assembly!

This product guide contains important information for correct assembly. Always use proper safety methods and equipment to avoid injury and ensure product performance. If you have questions or need support call 1-855-906-3858 M-F 8am-5pm MST.



WBC-R Model Shown



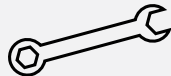
SUGGESTED TOOLS



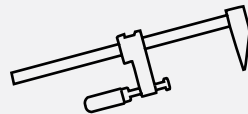
SAFETY GLASSES



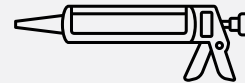
WORK GLOVES



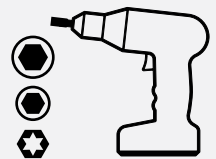
9/16" WRENCH OR SOCKET



CLAMPS



CAULK GUN



POWER DRILL + 5/16", 1/4" HEX BITS + T25 BIT (INCLUDED)

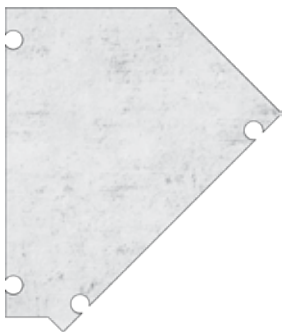
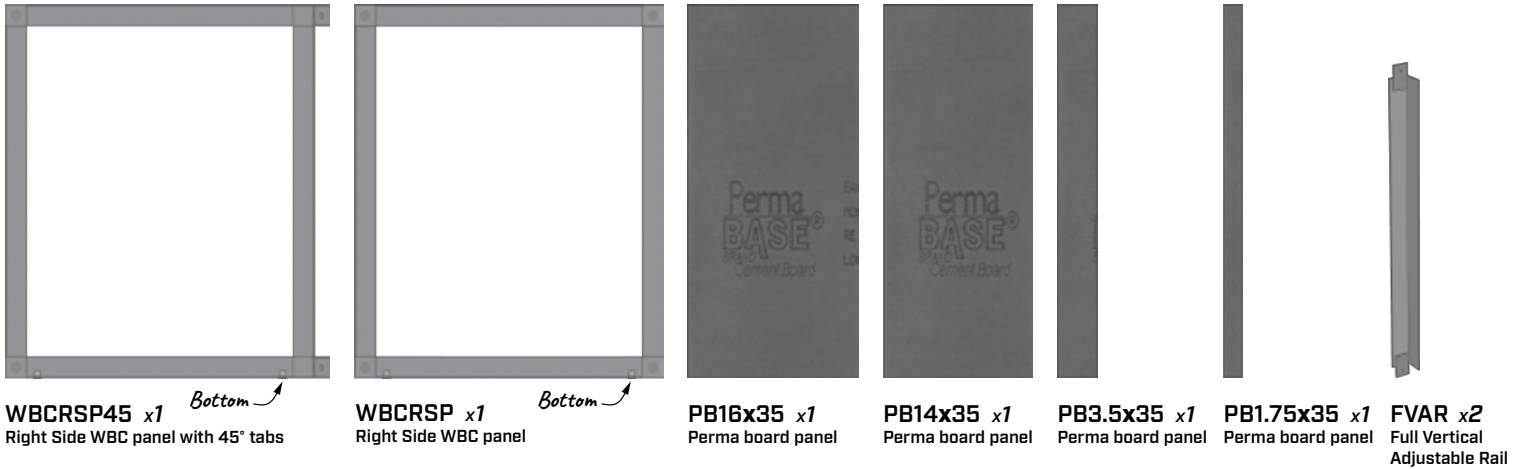
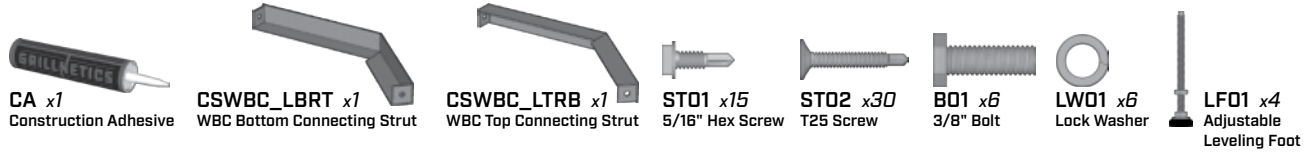
@2020 GRILLNETICS, LLC

WEDGE BASE CABINET

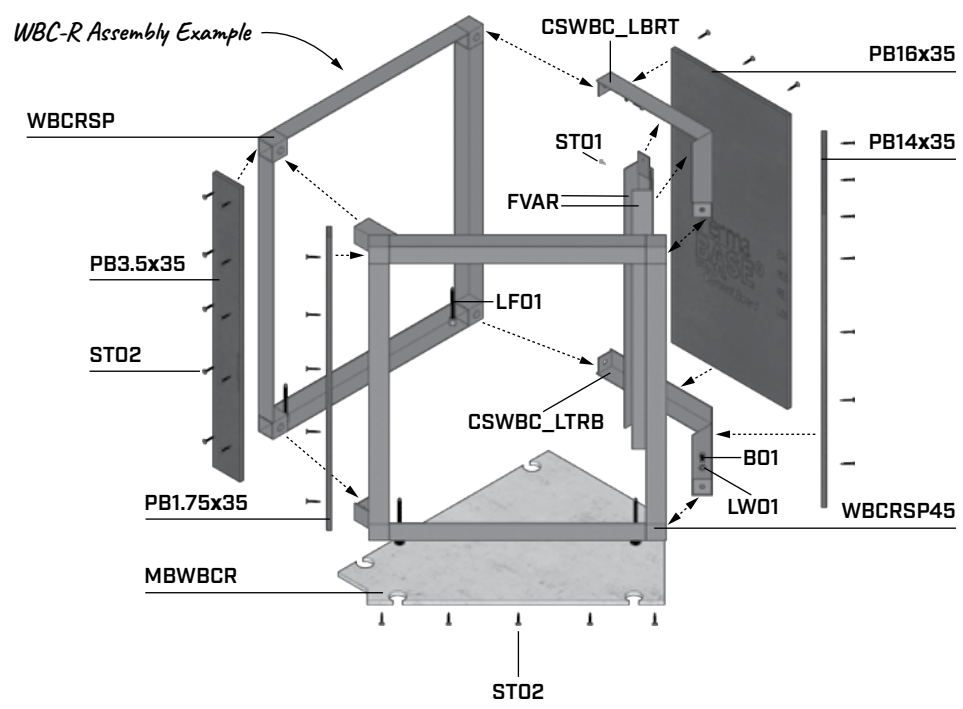
WBC-R Parts & Assembly Diagram



Check that you have all the listed parts. If any parts are missing **STOP** assembly and call 1-855-906-3858.



MBWBCR x1
Right Magboard Floor Panel



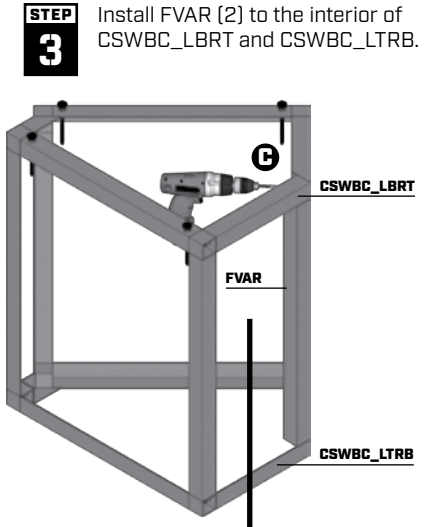
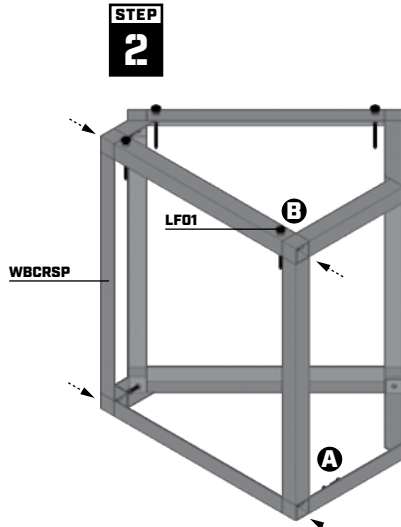
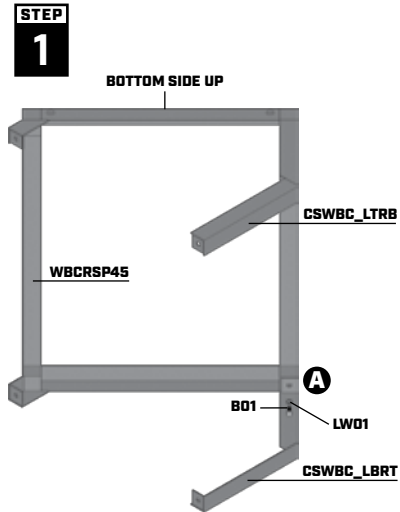
PRO TIP ★

Point your smart-phone camera at this QR code!

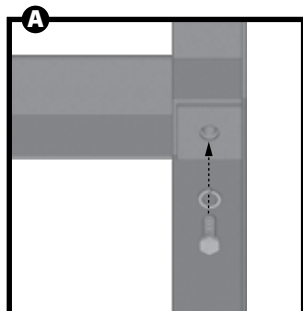
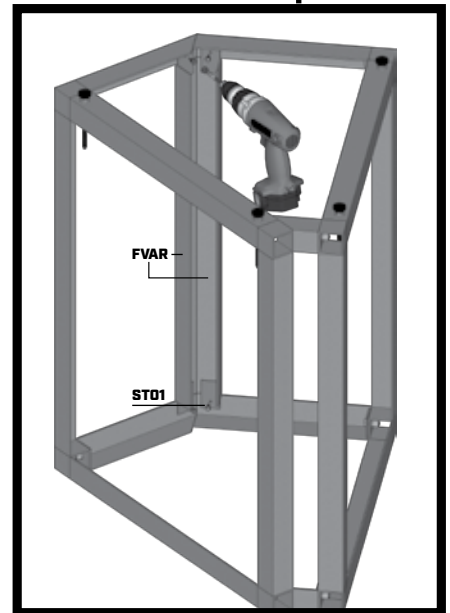
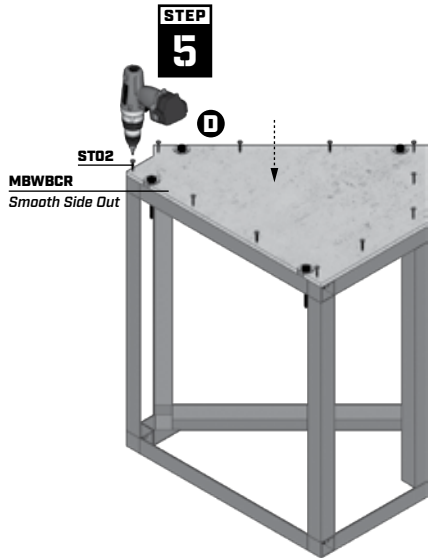
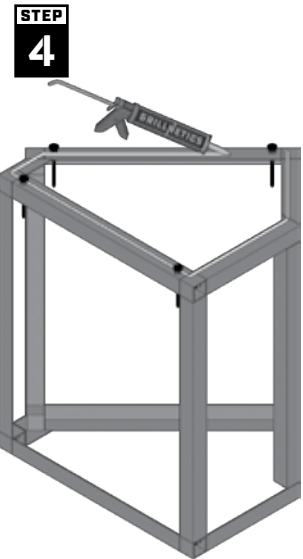
Monkey see, monkey do! Watch a product assembly video and read through these steps before you begin building your cabinet!

WEDGE BASE CABINET

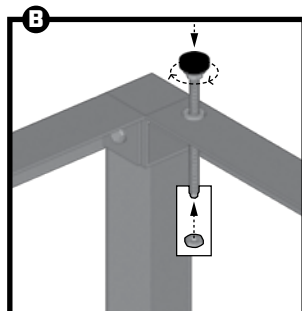
WBC-R Assembly Steps » WBC-R assembly shown. The same steps apply for any WBC size.



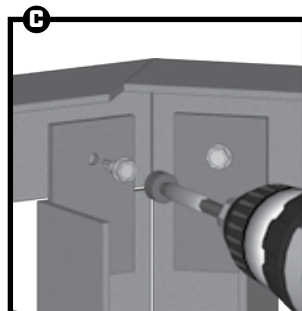
Check that parts are assembled flush before fully tightening, gluing or screwing.



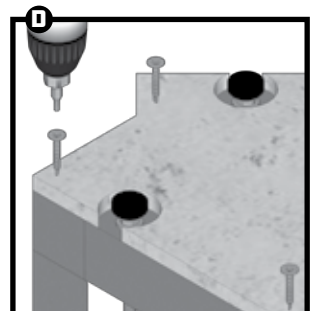
Use LW01 + B01 to connect parts.
PRO TIP: Do NOT overtighten!



Remove nut from LFD1 and twist until tight. Re-thread nut on LFD1.



Use ST01 to fasten FVAR (2) to CSWBC_LBRT and CSWBC_LTRB.

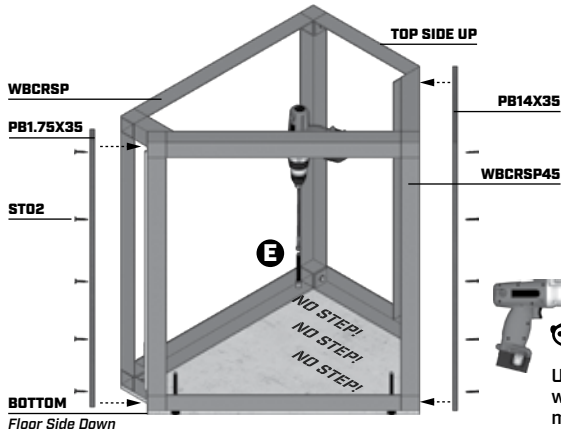


After applying adhesive, use ST02 + T25 to fasten MBWBCR to cabinet.

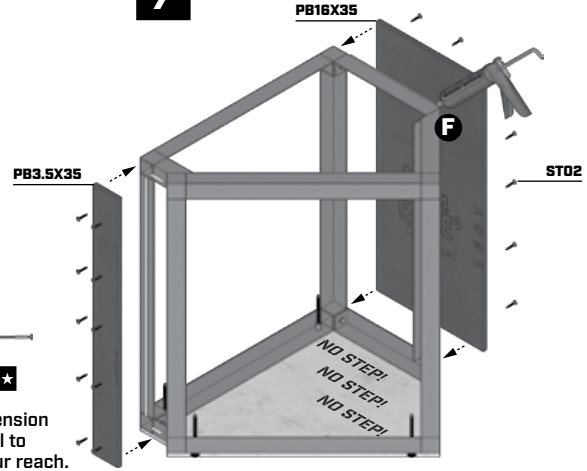
WEDGE BASE CABINET

WBC-R Assembly Steps

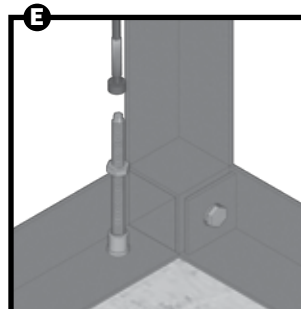
STEP 6 Connect PB panels to CSWBC_LBRT and CSWBC_LTRB.



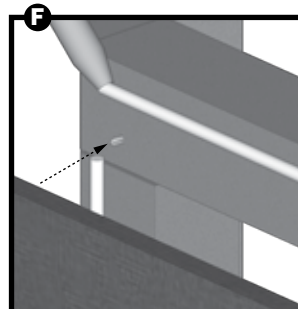
STEP 7 Connect PB panels to CSWBC_LBRT and CSWBC_LTRB.



PRO TIP
Use a bit extension with your drill to maximize your reach.



Use 1/4" bit with drill or 9/16" wrench to adjust LFO1 leveling feet.
PRO TIP: Loosen nut to adjust LFO1 & retighten to lock in place.



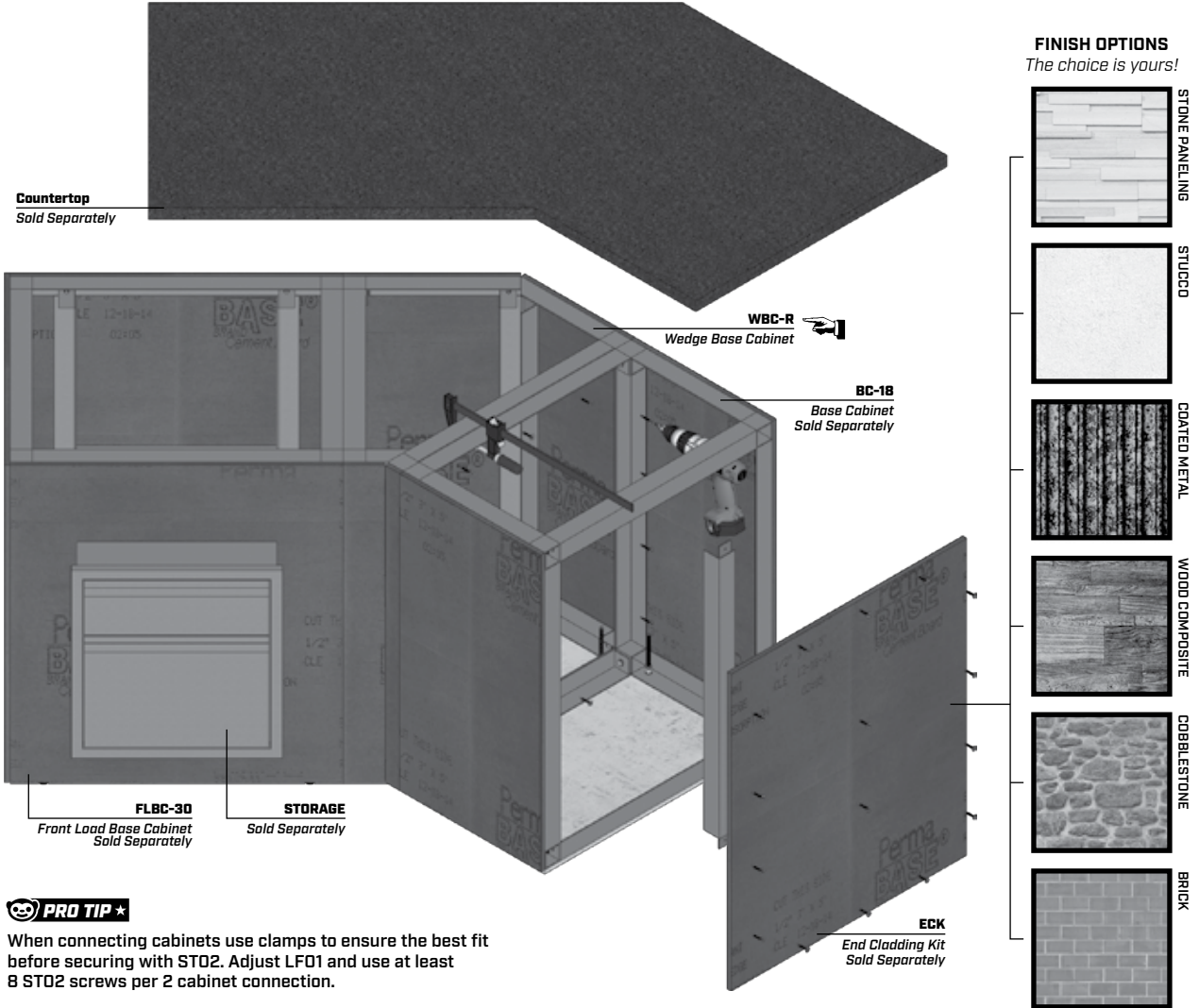
Use the exposed end of ST01 to help align the Perma Board.

WEDGE BASE CABINET

WBC-R Layout Example

STEP
8

Connect cabinets using ST02. Use ECK to enclose ends.
Finish to your liking after installing equipment and accessories.



PRO TIP

When connecting cabinets use clamps to ensure the best fit before securing with ST02. Adjust LFD1 and use at least 8 ST02 screws per 2 cabinet connection.

STEP
9

Call the neighbors, you are now ready to celebrate your new outdoor kitchen!
Get your grill on! Check out our blog for recipes and maintenance tips!



Tag us on **Facebook**, **Instagram**, or **Twitter**
@grillnetics #BBQwinning

From everyone at **GRILLNETICS**,

Thank you!

FRONT LOAD CORNER CABINET WITH 45° ENDS

Product Guide for All **FLCC45** Models



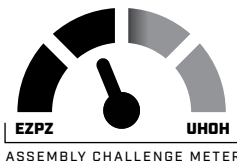
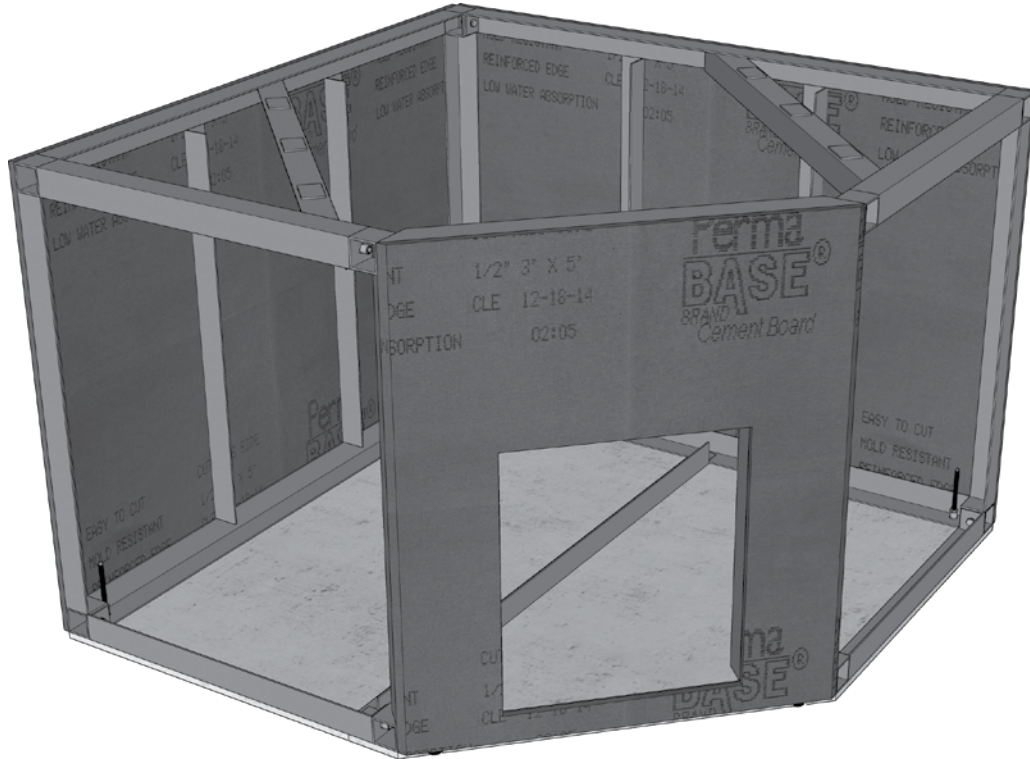
R050620

Scan QR Code
Product Warranty
PRO-Tips & More
Videos, Orders



User safety depends on correct assembly!

This product guide contains important information for correct assembly. Always use proper safety methods and equipment to avoid injury and ensure product performance. If you have questions or need support call 1-855-906-3858 M-F 8am-5pm MST.



FLCC45 Model Shown with Example Cutout and Included Supports

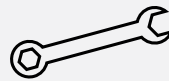
SUGGESTED TOOLS



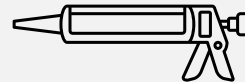
SAFETY GLASSES



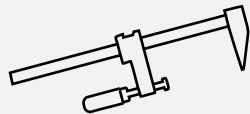
WORK GLOVES



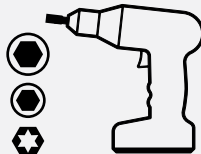
9/16" WRENCH OR SOCKET



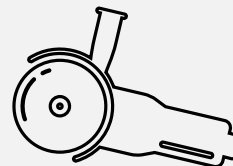
CAULK GUN



CLAMPS



POWER DRILL + 5/16", 1/4" HEX BITS + T25 BIT (INCLUDED)



ANGLE GRINDER

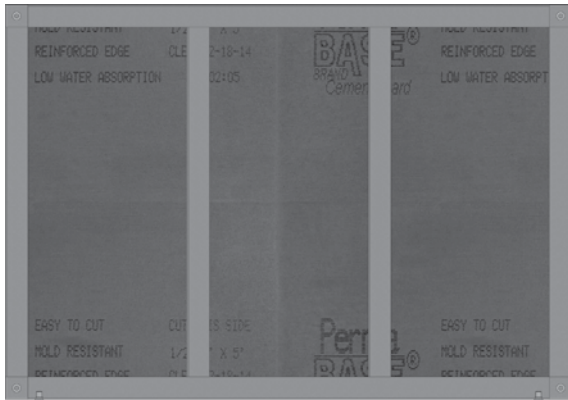
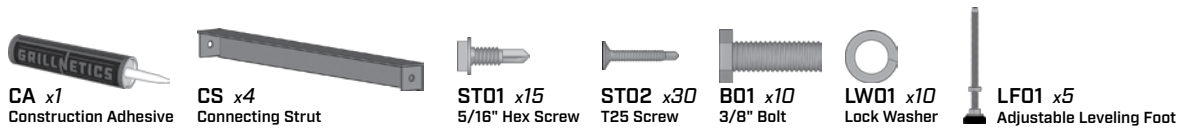
©2020 GRILLNETICS, LLC

FRONT LOAD CORNER CABINET 45°

FLCC45 Parts

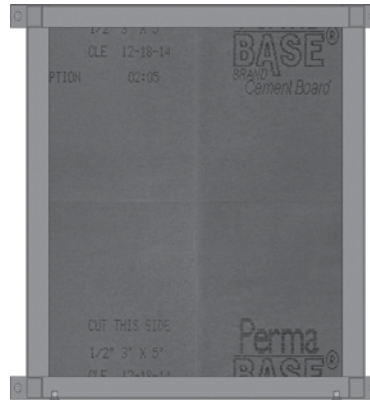


Check that you have all the listed parts. If any parts are missing **STOP** assembly and call 1-855-906-3858.



FLCC45LBP x1
Back left FLCC45 panel

Bottom

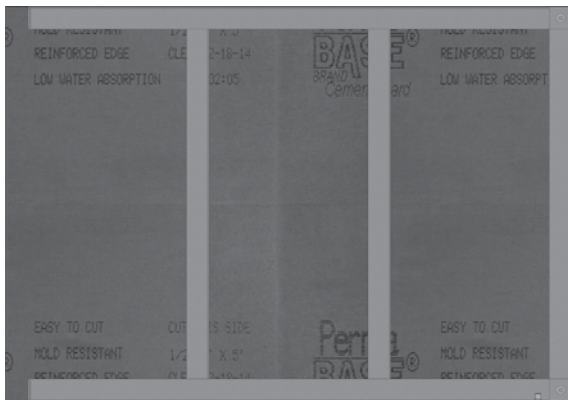


FLCC45FP x1
Front FLCC45 panel

Bottom

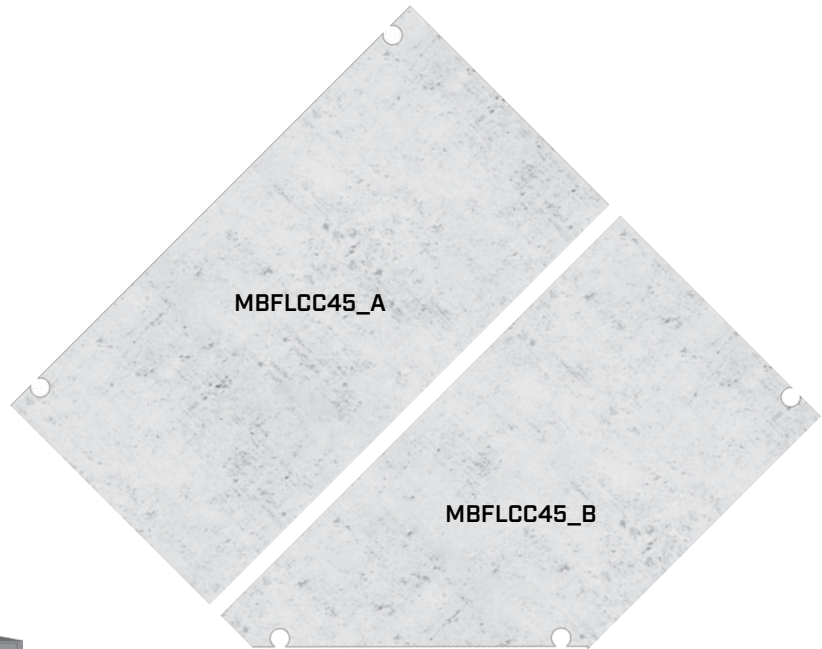


FVAR x2
Full Vertical
Adjustable Rail

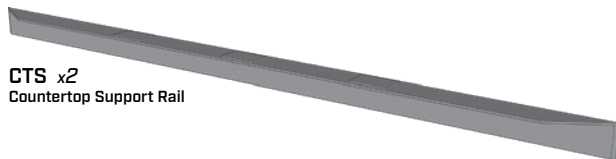


FLCC45RBP x1
Back right FLCC45 panel

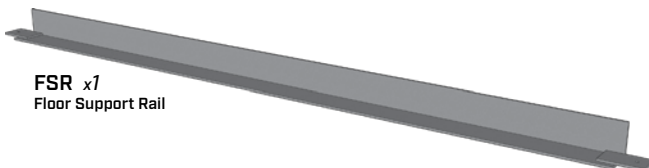
Bottom



Magboard floor panels



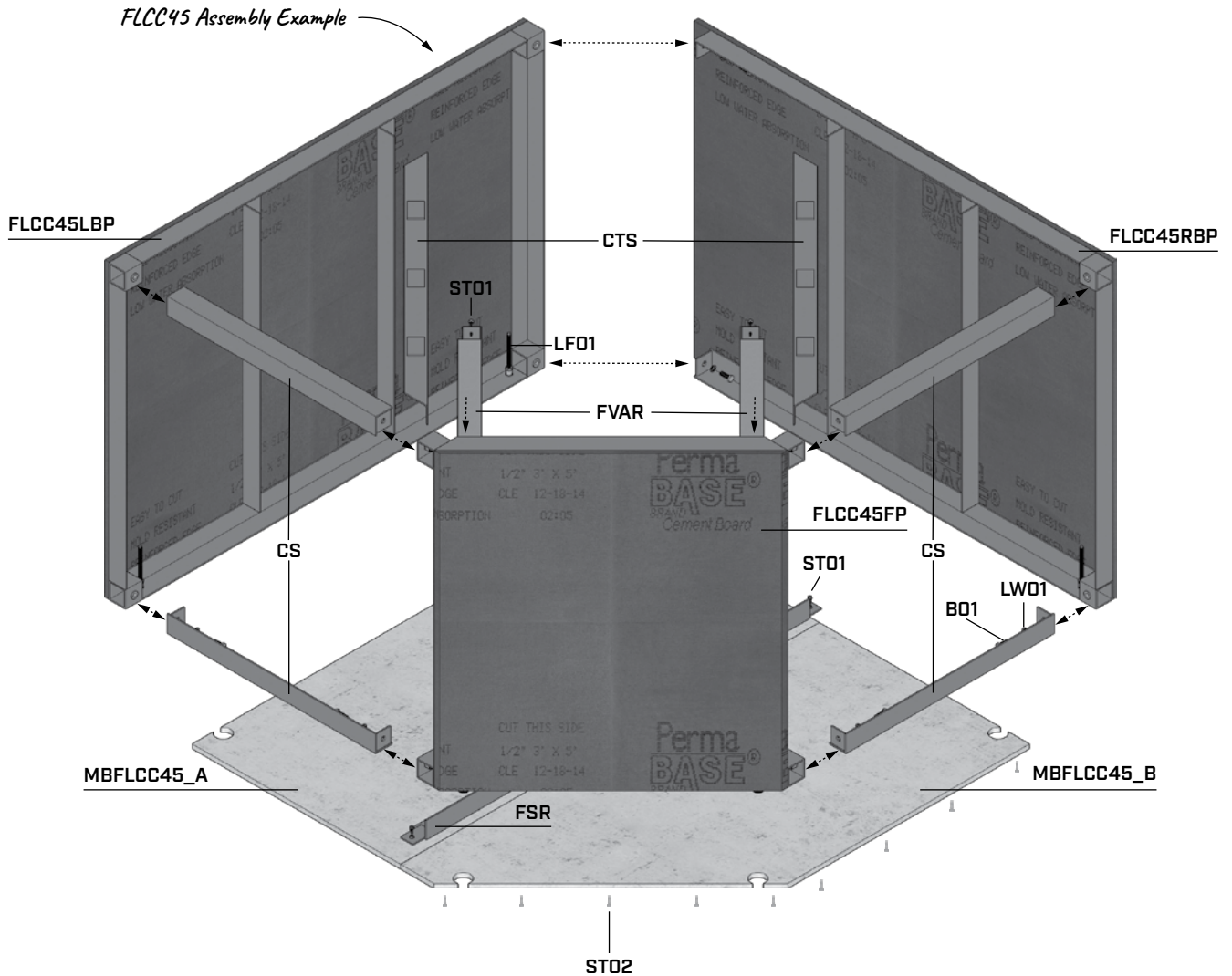
CTS x2
Countertop Support Rail



FSR x1
Floor Support Rail

FRONT LOAD CORNER CABINET 45°

FLCC45 Assembly Diagram



PRO TIP ★



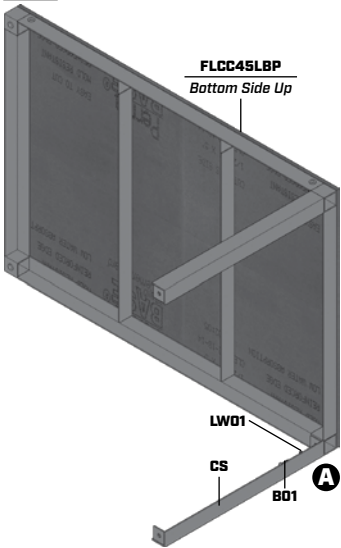
Point your smart-phone camera at this QR code!

Monkey see, monkey do! Watch a product assembly video and read through these steps before you begin building your cabinet!

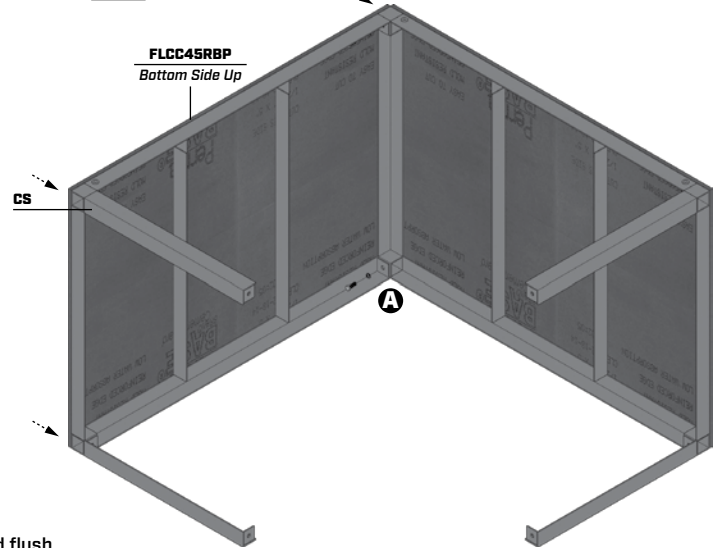
FRONT LOAD CORNER CABINET 45°

FLCC45 Assembly Steps » FLCC45 assembly shown.

STEP 1 Attach CS (2) to FLCC45LBP.

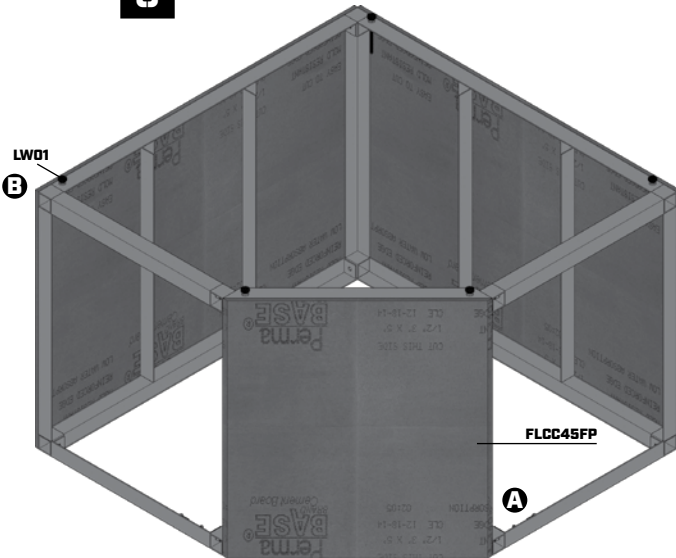


STEP 2 Attach FLCC45RBP and CS (2).

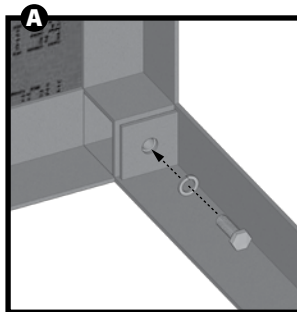
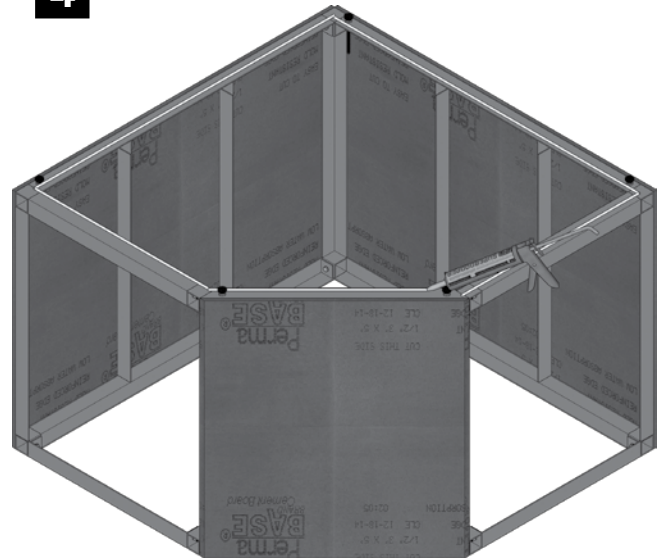


Check that parts are assembled flush before fully tightening, gluing or screwing.

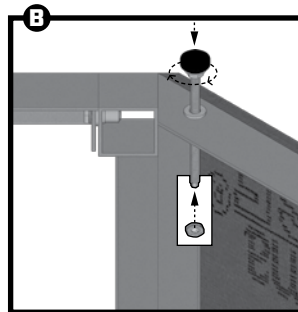
STEP 3 Attach FLCC45FP (Bottom Side Up) to CS. Attach LF01 (5) to FLCC45 panels.



STEP 4 Use a caulking gun to apply adhesive to the cabinet.



Use LW01 + B01 to connect parts.
PRO TIP: Do NOT overtighten!

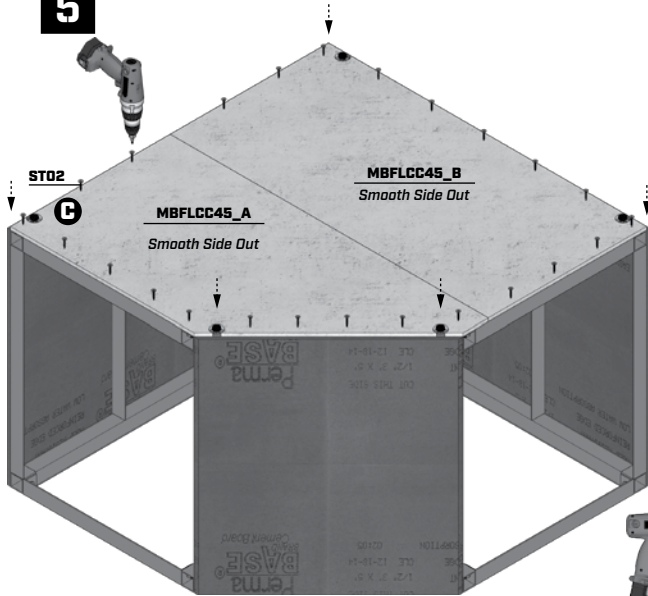


Remove nut from LF01 and twist until tight. Re-thread nut on LF01.

FRONT LOAD CORNER CABINET 45°

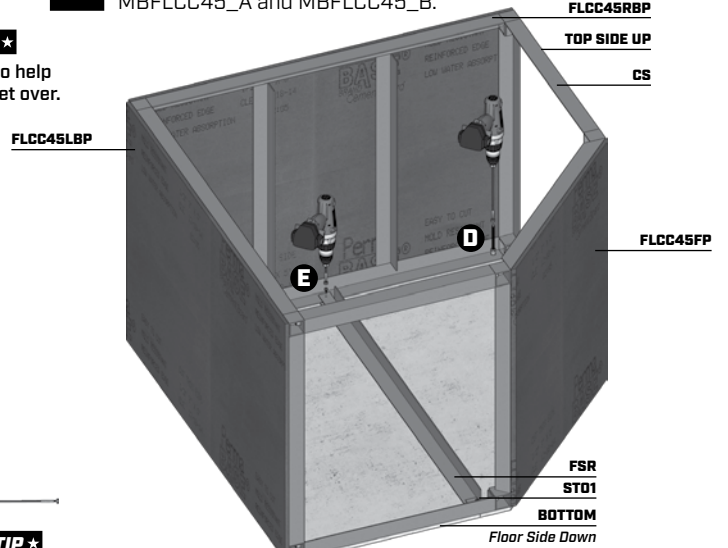
FLCC45 Assembly Steps

STEP 5 Fasten MBFLCC45_A and MBFLCC45_B using ST02.



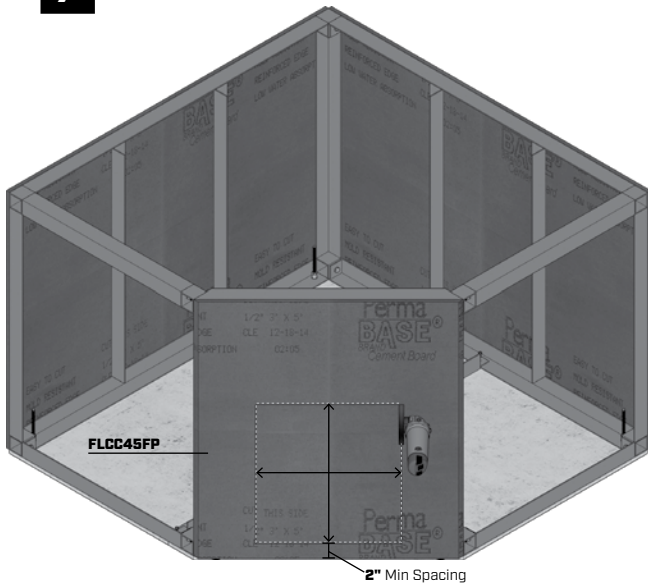
STEP 6 Reposition cabinet so floor side is down. Use ST01 to fasten FSR over the seam between MBFLCC45_A and MBFLCC45_B.

PRO TIP ★
Get a buddy to help flip the cabinet over.



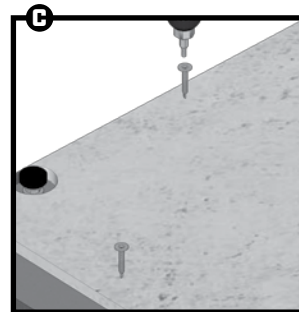
PRO TIP ★
Use a bit extension with your drill to maximize your reach.

STEP 7 **OPTIONAL:** Mark cutout on FLCC45FP according to manufacturer's specifications.

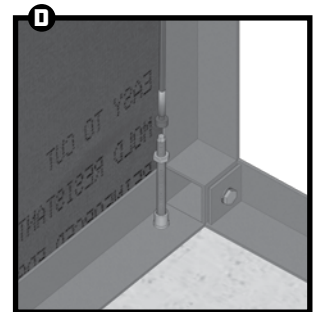


PRO TIP ★

Divide your total cutout width in half & mark that length to the left and right of true center. Leave room for supports (maximum cutout width for any FLCC45 cabinet is its front panel width minus 8.25").

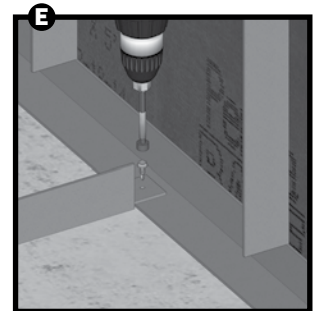


Use ST02 + T25 to fasten MBFLCC45_A and MBFLCC45_B to cabinet.



Use 1/4" bit with drill or 9/16" wrench to adjust LFO1 leveling feet.

PRO TIP: Loosen nut to adjust LFO1 & retighten to lock in place.

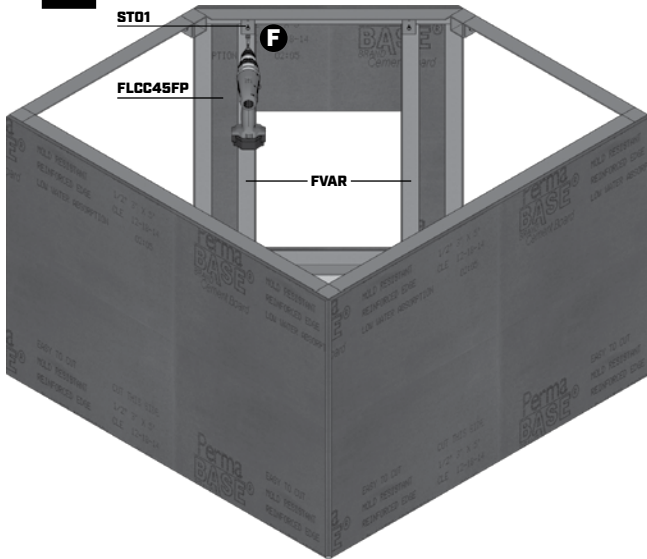


Use ST01 to fasten FSR to FLCC45RBP and CS.

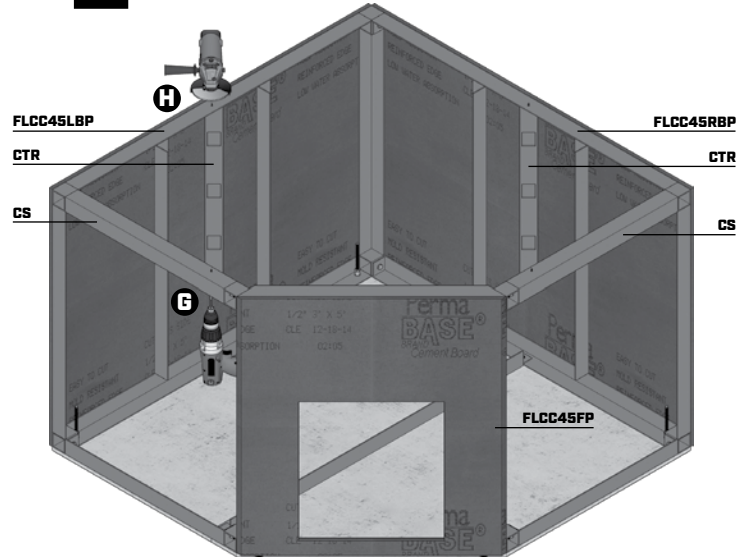
FRONT LOAD CORNER CABINET 45°

FLCC45 Assembly Steps

STEP 8 Use ST01 to fasten FVAR (2) to the inside of FLCC45FP with the optional cutout.

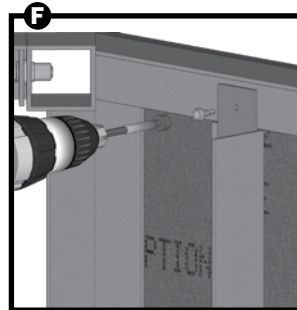
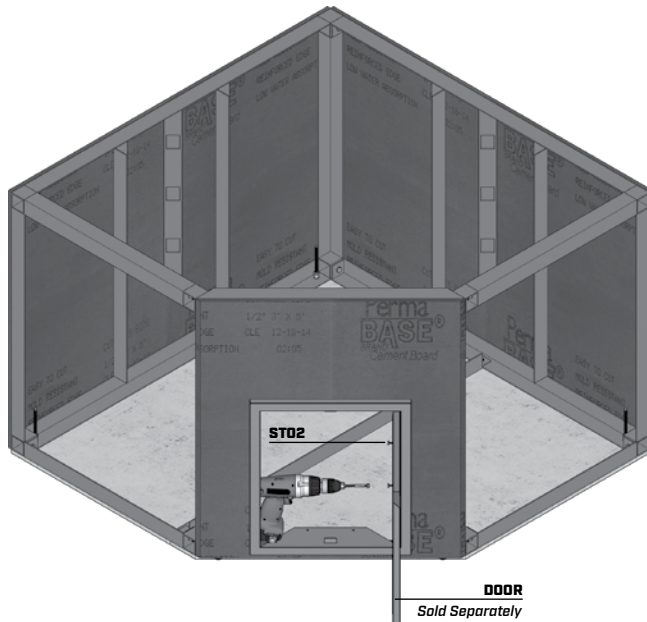


STEP 9 Use ST01 to fasten CTR (2) supports. Position supports to left and right of FLCC45FP.

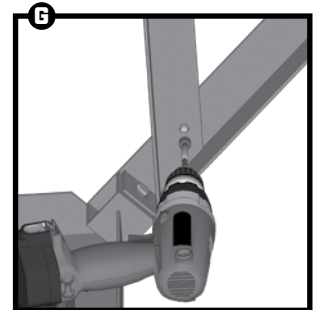


STEP 10 Use ST02 to fasten door component to FVAR.

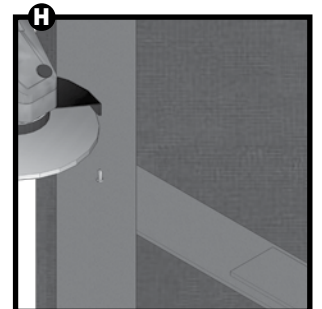
10



Use **ST01** to fasten **FVAR** to the interior of the cabinet frame.



Use **ST01** to install **CTR** to **CS**, **FLCC45LBP** and **FLCC45RBP**. Shown from bottom.



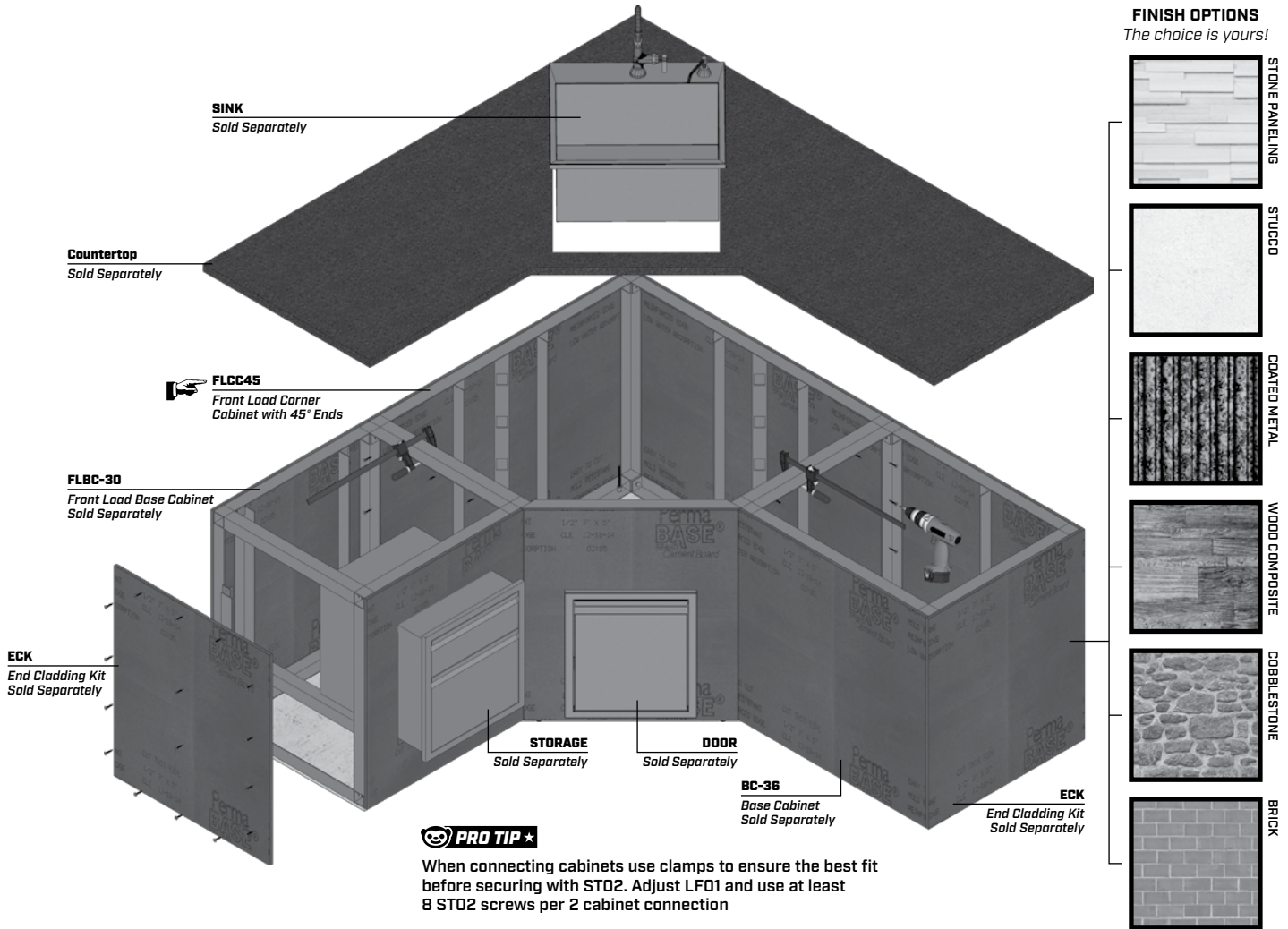
Remove excess screw tip.

FRONT LOAD CORNER CABINET 45°

FLCC45 Layout Example

STEP 11

Connect cabinets using ST02. Use ECK to enclose ends. Finish to your liking after installing equipment and accessories.



STEP 12

Call the neighbors, you are now ready to celebrate your new outdoor kitchen! **Get your grill on!** Check out our blog for recipes and maintenance tips!



Tag us on **Facebook**, **Instagram**, or **Twitter**
@grillnetics #BBQwinning

From everyone at **GRILLNETICS**,

Thank you!

HEXAGONAL TABLE BASE CABINET

Product Guide for All HTBC Models

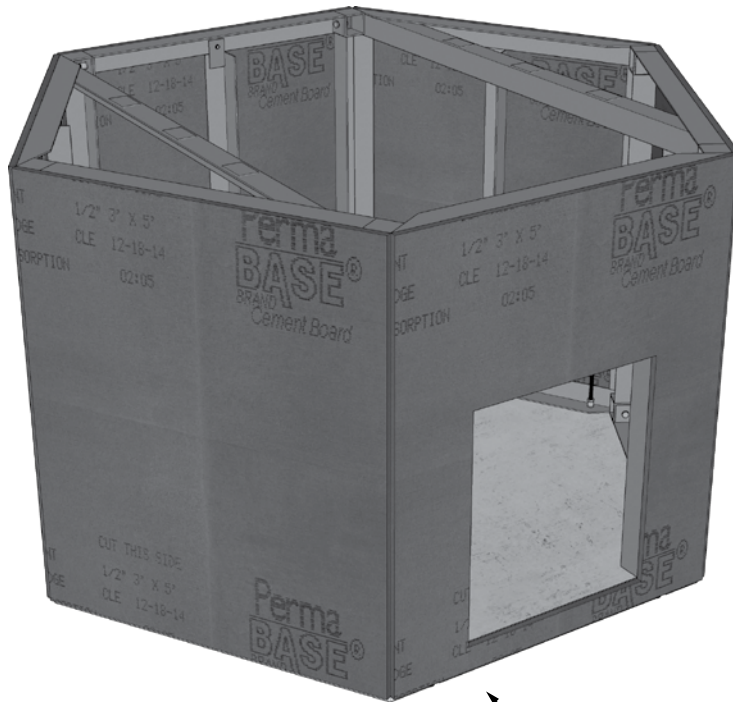


R050620

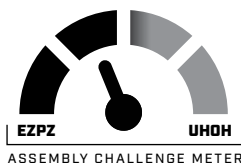


User safety depends on correct assembly!

This product guide contains important information for correct assembly. Always use proper safety methods and equipment to avoid injury and ensure product performance. If you have questions or need support call 1-855-906-3858 M-F 8am-5pm MST.



HTBC-35 Model Shown with Example Cutout and Included Supports



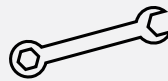
SUGGESTED TOOLS



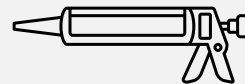
SAFETY GLASSES



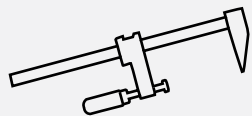
WORK GLOVES



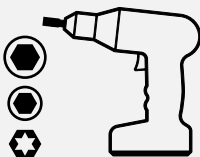
9/16" WRENCH OR SOCKET



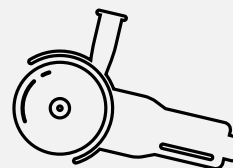
CAULK GUN



CLAMPS



POWER DRILL + 5/16", 1/4" HEX BITS + T25 BIT (INCLUDED)



ANGLE GRINDER

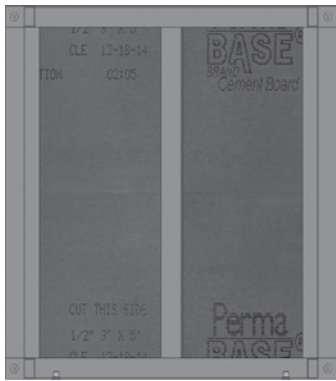
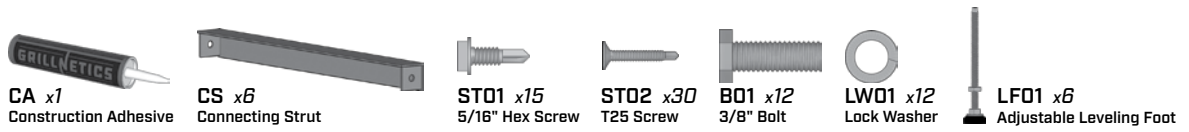
©2020 GRILLNETICS, LLC

HEXAGONAL TABLE BASE CABINET

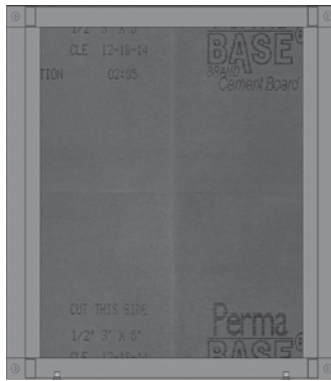
HTBC Parts



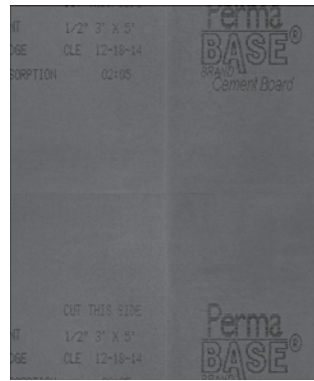
Check that you have all the listed parts. If any parts are missing **STOP** assembly and call 1-855-906-3858.



HTBCBP## x2 *Bottom*
Back HTBC panels where ## will be the height of the cabinet.



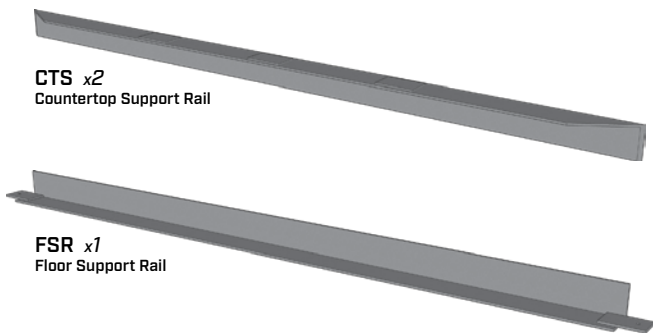
HTBCFP## x1 *Bottom*
Front HTBC panel where ## will be the height of the cabinet.



PB29x## x3
Perma board panel where 29" is the width and ## is the height.

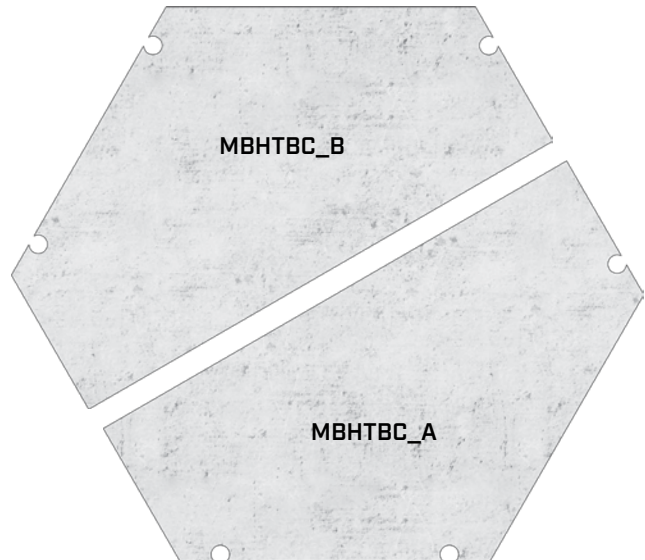


FVAR x5
Full Vertical Adjustable Rail



CTS x2
Countertop Support Rail

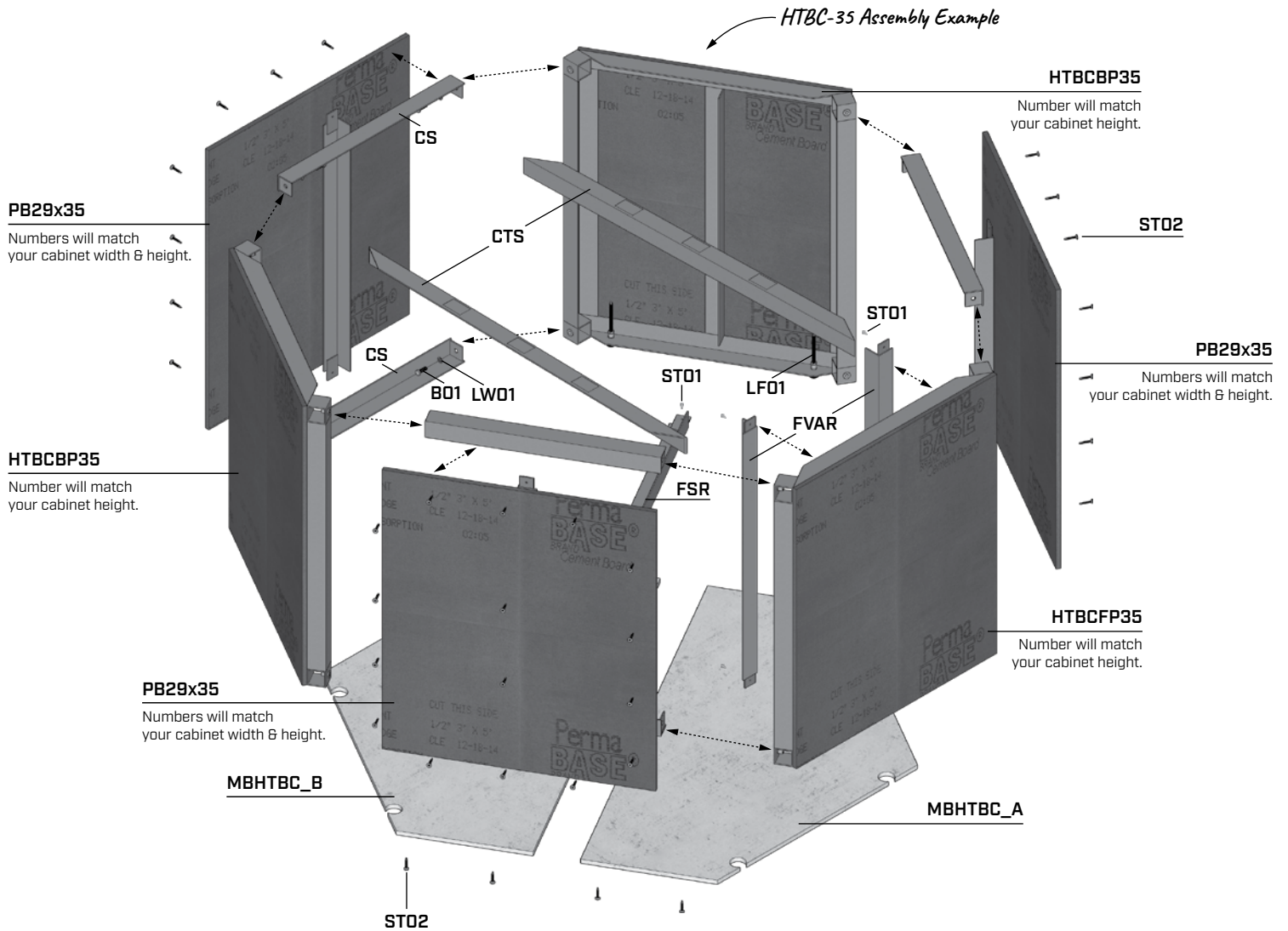
FSR x1
Floor Support Rail



Magboard floor panels

HEXAGONAL TABLE BASE CABINET

HTBC Assembly Diagram



PRO TIP ★



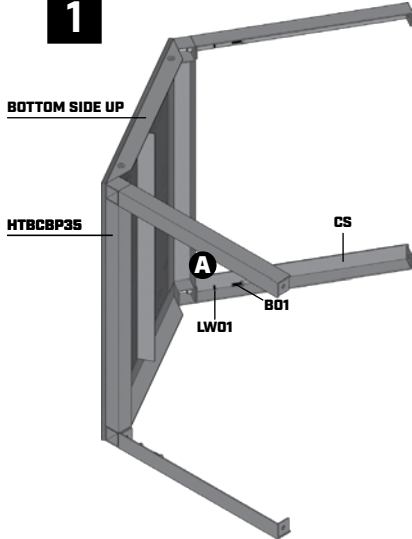
Point your smart-phone camera at this QR code!

Monkey see, monkey do! Watch a product assembly video and read through these steps before you begin building your cabinet!

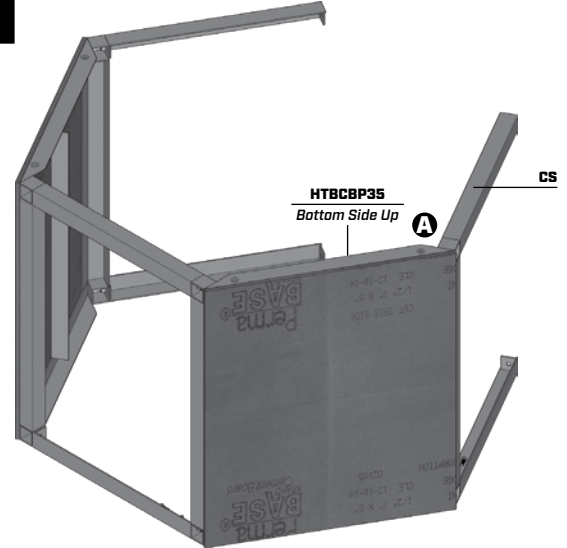
HEXAGONAL TABLE BASE CABINET

HTBC Assembly Steps » HTBC-35 assembly shown. These steps apply for any HTBC size.

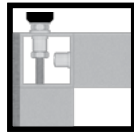
STEP 1 Attach CS (4) to HTBCBP35.



STEP 2 Attach HTBCBP35 and CS (2).

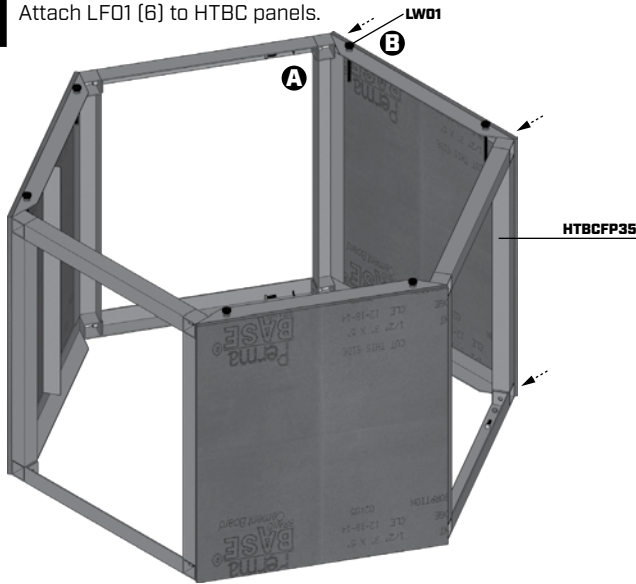


PRO TIP

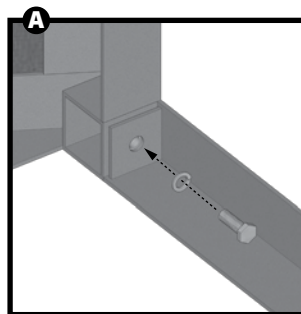
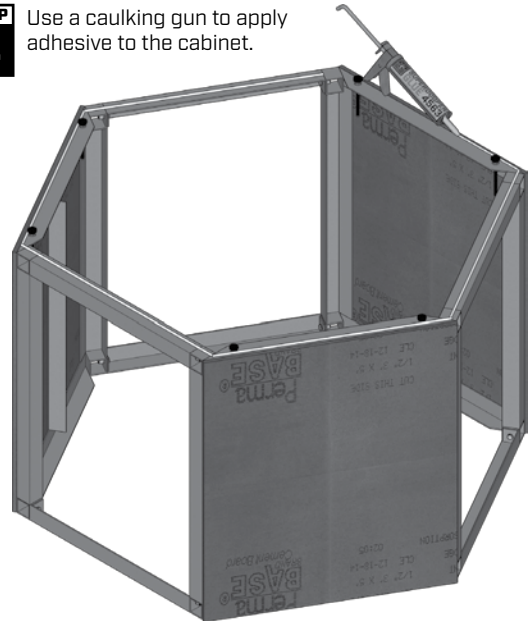


Check that parts are assembled flush before fully tightening, gluing or screwing.

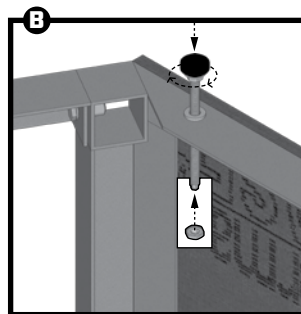
STEP 3 Attach HTBCFP35 to CS.
Attach LFO1 (6) to HTBC panels.



STEP 4 Use a caulking gun to apply adhesive to the cabinet.



Use LW01 + B01 to connect parts.
PRO TIP: Do NOT overtighten!

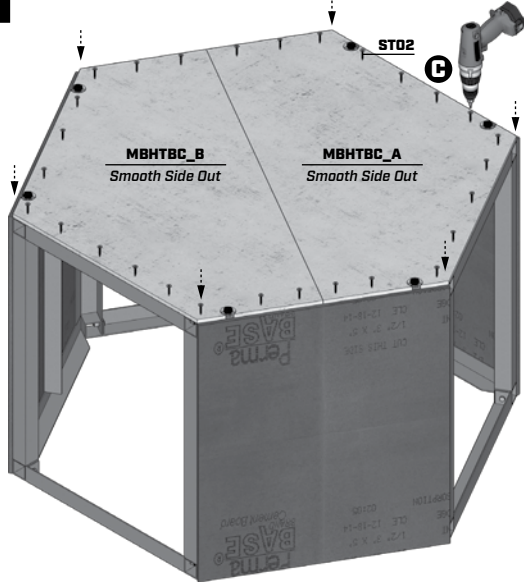


Remove nut from LFO1 and twist until tight. Re-thread nut on LFO1.

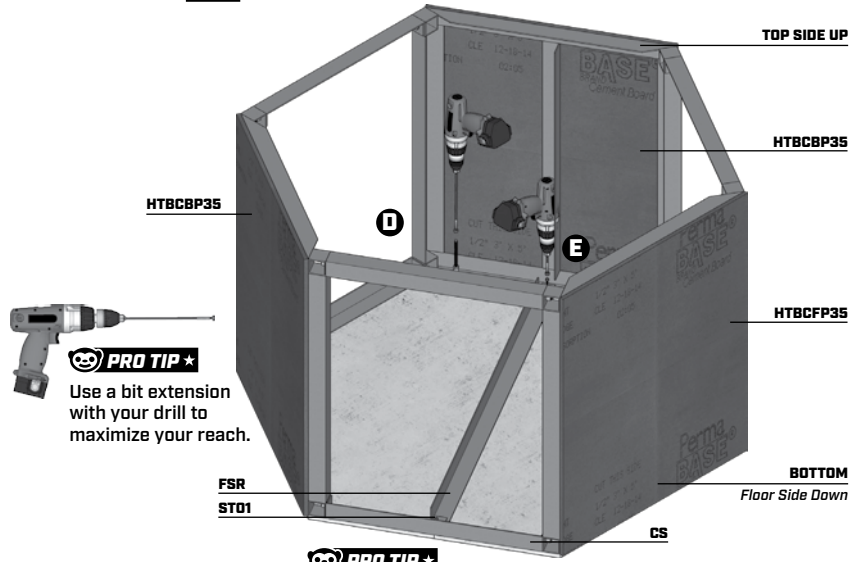
HEXAGONAL TABLE BASE CABINET

HTBC Assembly Steps

STEP 5 Fasten MBHTBC_A and MBHTBC_B using ST02.



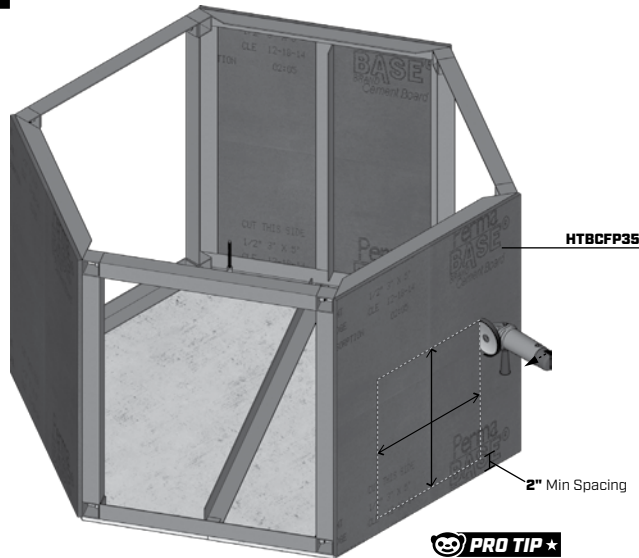
STEP 6 Reposition cabinet so floor side is down. Use ST01 to fasten FSR over the seam between MBHTBC_A and MBHTBC_B.



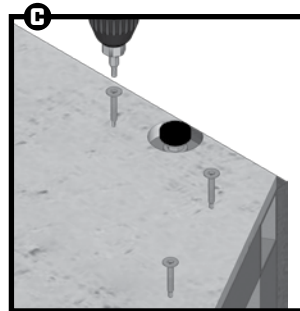
PRO TIP ★
Use a bit extension with your drill to maximize your reach.

PRO TIP ★
Get a buddy to help flip the cabinet over.

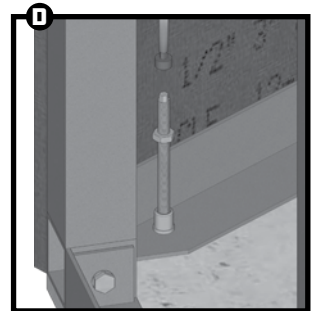
STEP 7 Optional: Mark cutout on HTBCFP35 according to manufacturer's specifications.



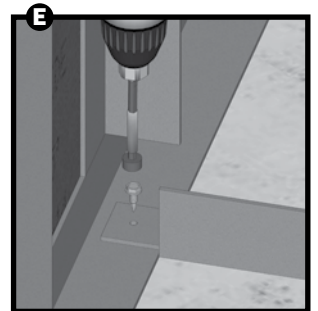
PRO TIP ★
Divide your total cutout width in half & mark that length to the left and right of true center. Leave room for supports (maximum cutout width for any HTBC cabinet is its front panel width minus 8.25").



Use **ST02 + T25** to fasten **MBHTBC_A** and **MBHTBC_B** to cabinet.



Use **1/4"** bit with drill or **9/16"** wrench to adjust **LFO1** leveling feet.

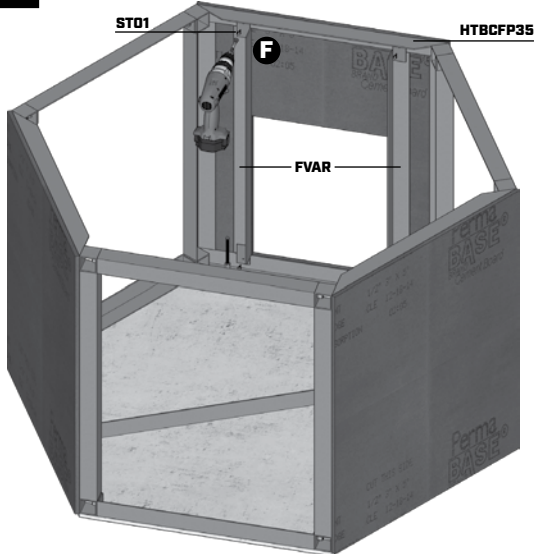


Use **ST01** to fasten **FSR** to **HTBCBP35** and **CS**.

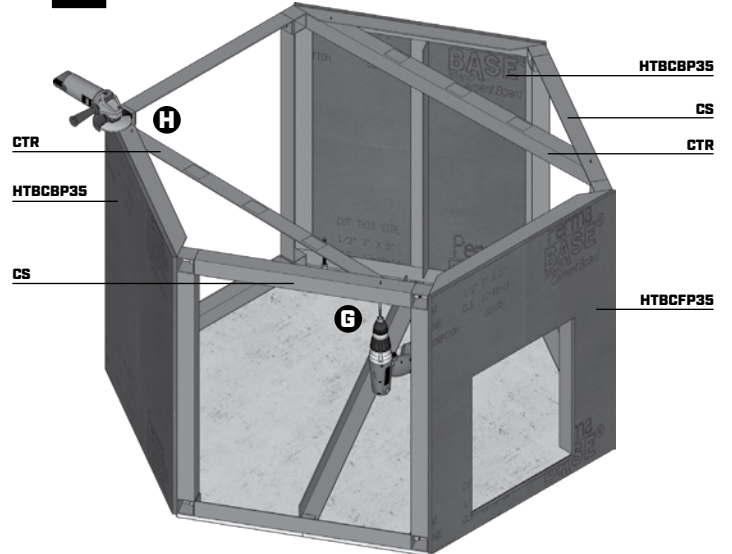
HEXAGONAL TABLE BASE CABINET

HTBC Assembly Steps

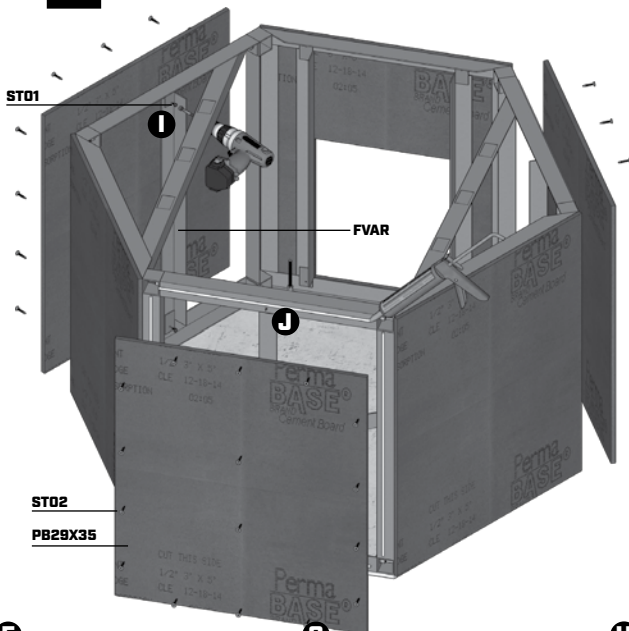
STEP 8 Use ST01 to fasten FVAR (2) to the inside of HTBCFP35 with the optional cutout.



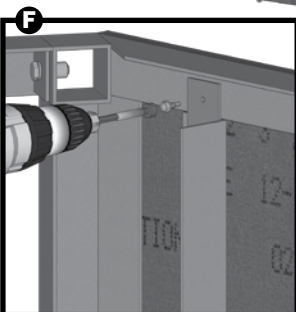
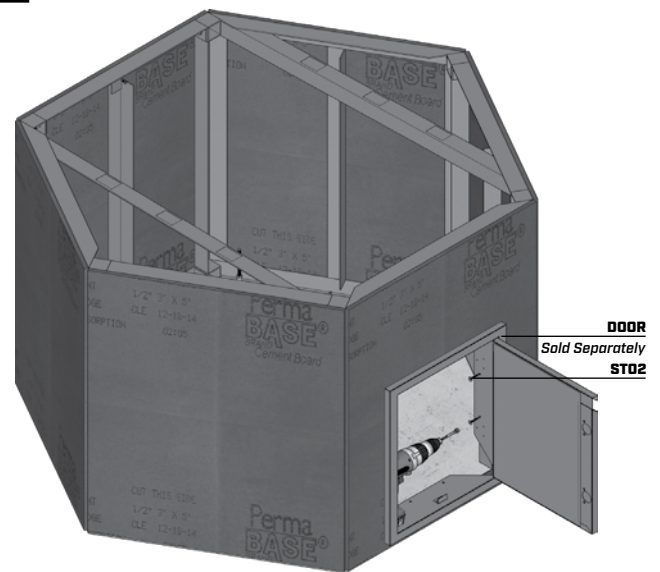
STEP 9 Use ST01 to fasten CTR (2) supports. Position supports to left and right of HTBCFP35.



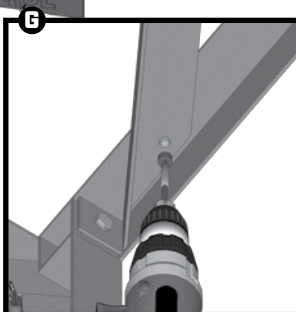
STEP 10 Use ST01 to fasten FVAR (3) to CS. Use adhesive and ST02 to fasten PB29x35 (3) to CS.



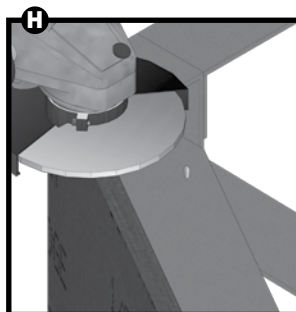
STEP 11 Use ST02 to fasten door component to FVAR.



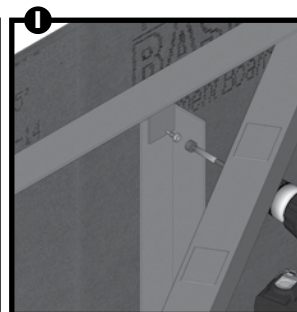
Use **ST01** to fasten **FVAR** to the interior of the cabinet frame.



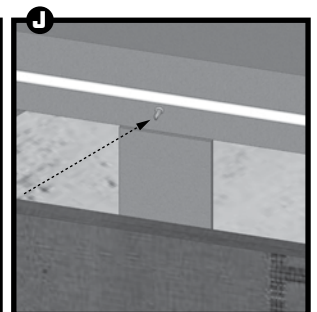
Use **ST01** to install **CTR** to **CS** and **HTBCBP35**. Shown from bottom.



Remove excess screw tip.



Use **ST01** to fasten **FVAR** to **CS**.



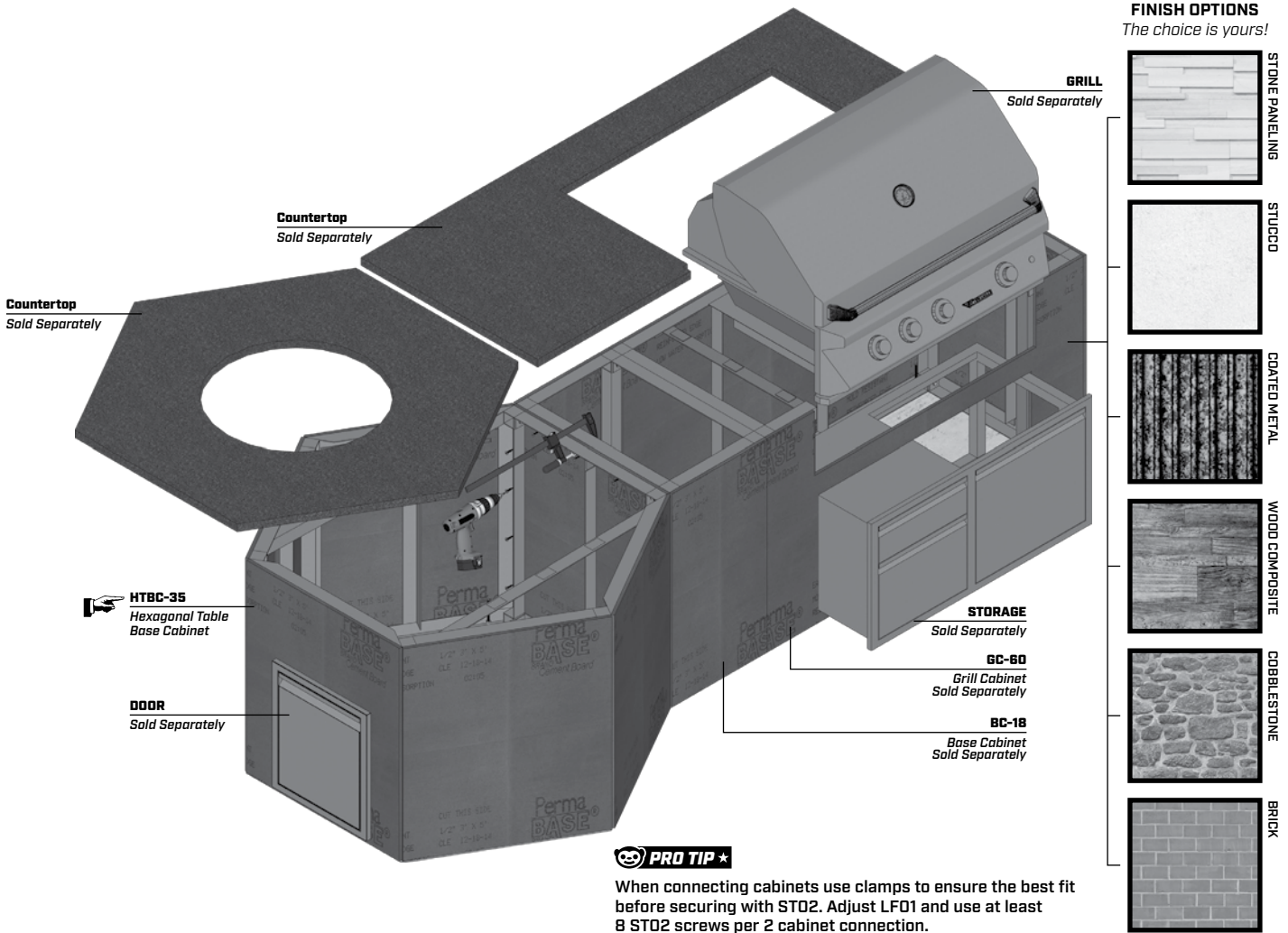
Use the end of **ST02** to aid in the attachment of **PB29x35**.

HEXAGONAL TABLE BASE CABINET

HTBC Layout Example

STEP
12

Connect cabinets using ST02.
Finish to your liking after installing equipment and accessories.



STEP
13

Call the neighbors, you are now ready to celebrate your new outdoor kitchen!
Get your grill on! Check out our blog for recipes and maintenance tips!



Tag us on **Facebook**, **Instagram**, or **Twitter**
@grillnetics #BBQwinning

From everyone at **GRILLNETICS**,

Thank you!

DROP BASE CABINET

Product Guide for All DBC Models

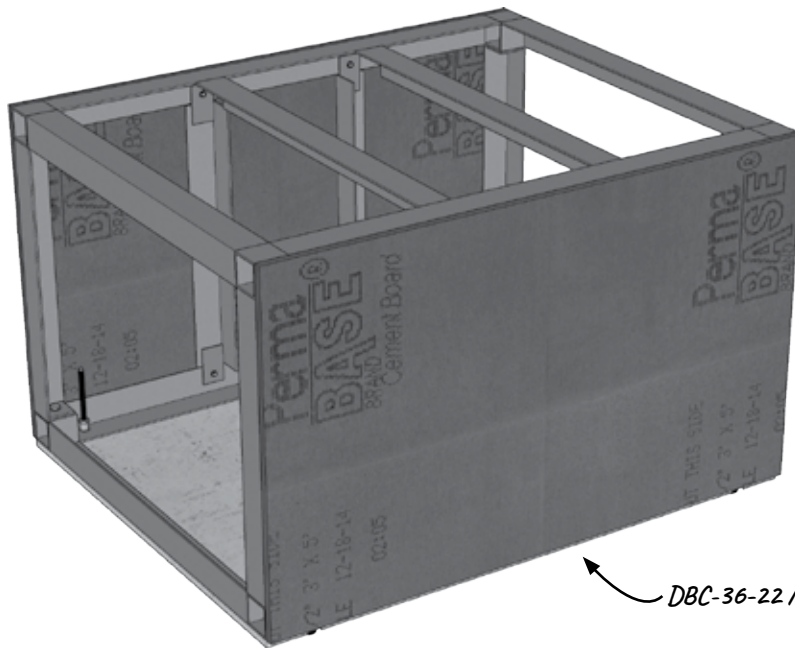


R061720_09:38

Scan QR Code
Product Warranty
Videos, Orders



User safety depends on correct assembly!
This product guide contains important information for correct assembly.
Always use proper safety methods and equipment to avoid injury and ensure product performance.
If you have questions or need support call 1-855-906-3858 M-F 8am-5pm MST.



DBC-36-22 Model Shown



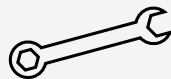
SUGGESTED TOOLS



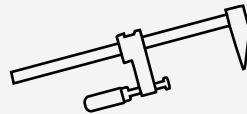
SAFETY GLASSES



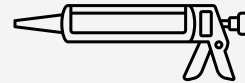
WORK GLOVES



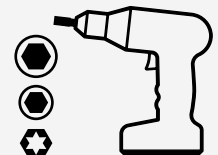
9/16" WRENCH
OR SOCKET



CLAMPS



CAULK GUN



POWER DRILL + 5/16", 1/4" HEX
BITS + T25 BIT (INCLUDED)

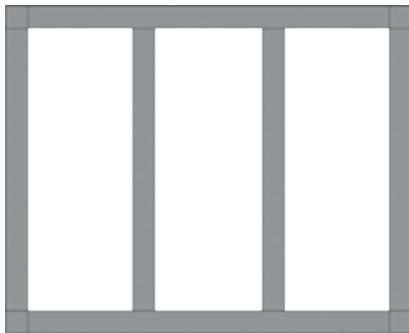
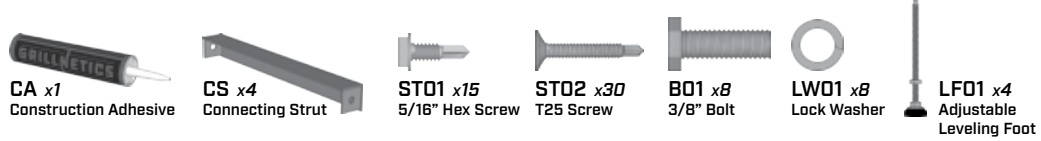
©2020 GRILLNETICS, LLC

DROP BASE CABINET

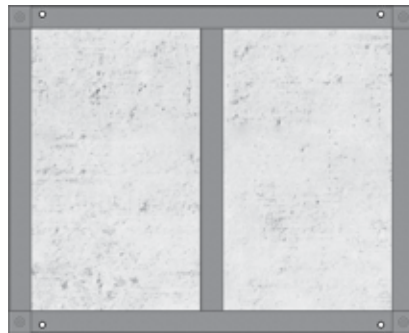
DBC Parts & Assembly Diagram



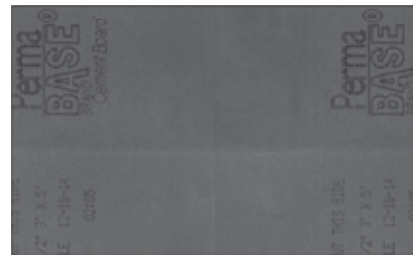
Check that you have all the listed parts. If any parts are missing **STOP** assembly and call 1-855-906-3858.



DBCPT## x1
Top panel where ## will be the width of the cabinet.
See example below.



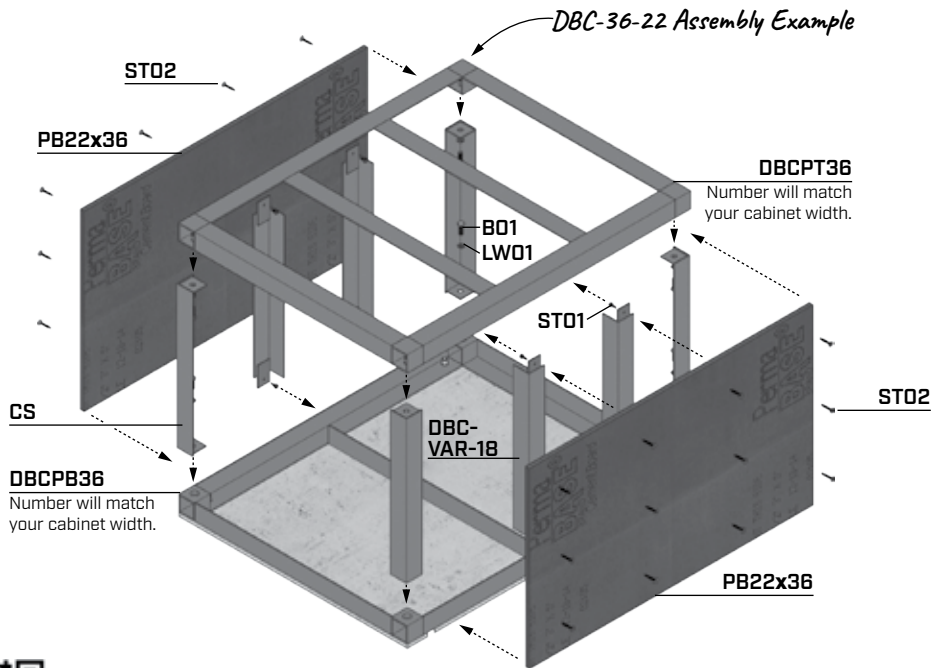
DBCPB## x1
Bottom panel where ## will be the width of the cabinet.



PB22x36 x2
Perma board panel where 29" is the width and 35" is the height.



DBC-VAR-## x4
Full Vertical Adjustable Rails.



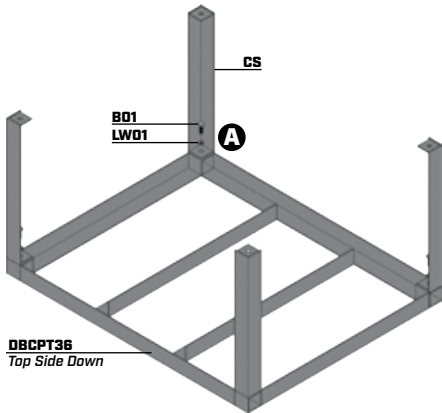
Point your smart-phone camera at this QR code!

Monkey see, monkey do! Watch a product assembly video and read through these steps before you begin building your cabinet!

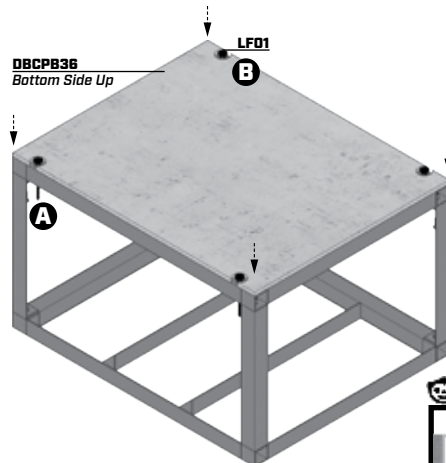
DROP BASE CABINET

DBC Assembly Steps » DBC-36-22 assembly shown. The same steps apply for any DBC size.

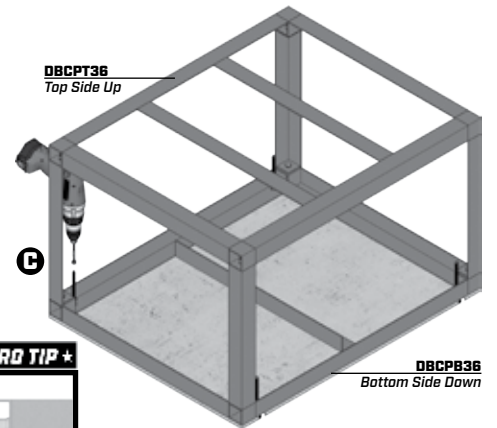
STEP 1 Attach CS (4) to DBCPT36.



STEP 2 Attach DBCPB36 to CS. Fasten LFD1 (4) to DBCPB36.

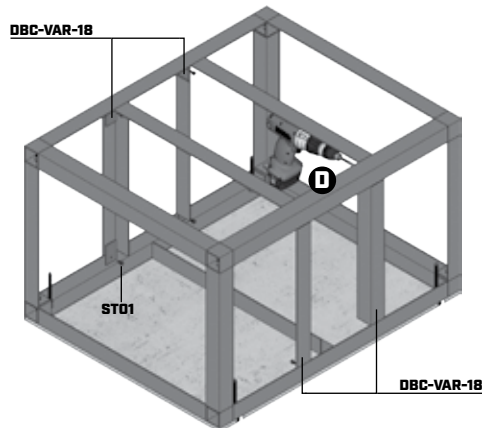


STEP 3 Reposition cabinet so bottom side is down and adjust LF as needed.

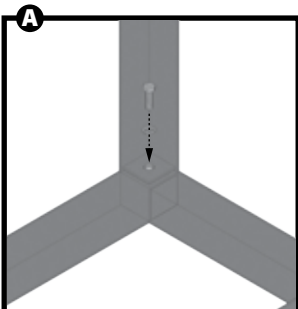
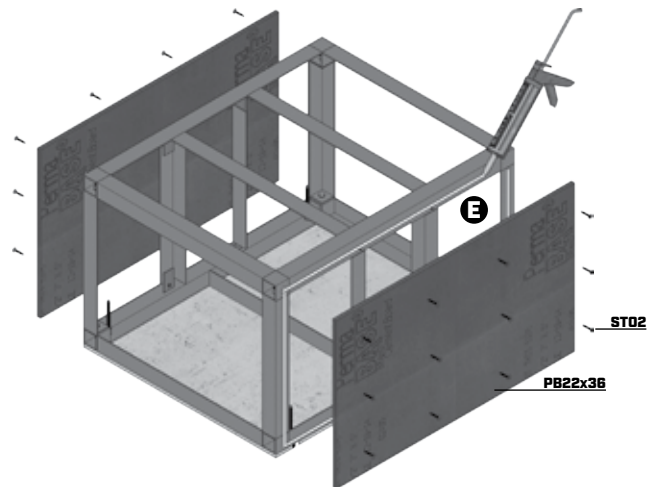


Check that parts are assembled flush before fully tightening, gluing or screwing.

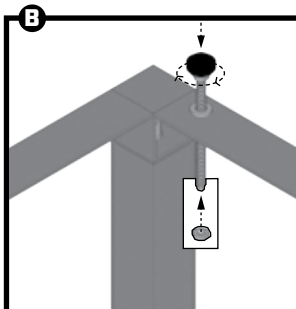
STEP 4 Attach DBC-VAR-18 (4) to the interior of DBCPT36 and DBCPB36. The space between DBC-VAR-18 and CS should be evenly divided into thirds unless installing an access door.



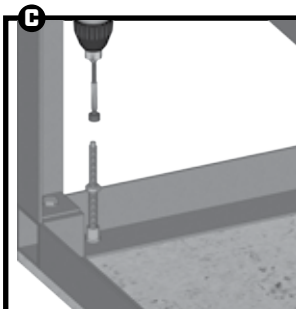
STEP 5 Connect PB22x36 (2) panels to DBCPB36 and DBCPT36 using ST02.



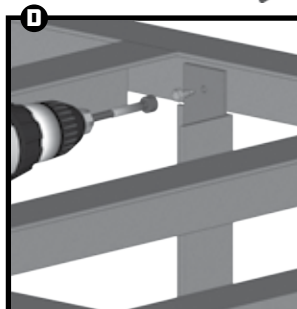
Use LWD1 + BD1 to connect parts.
PRO TIP: Do NOT overtighten!



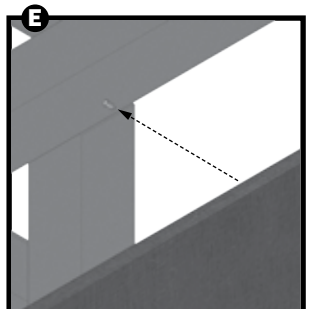
Remove nut from LFD1 and twist until tight. Re-thread nut on LFD1.



Use 1/4" bit with drill or 9/16" wrench to adjust LFD1. Fasten nut until tight to lock in place.



Use ST01 to fasten DBC-VAR-18 to the interior of the cabinet frame.

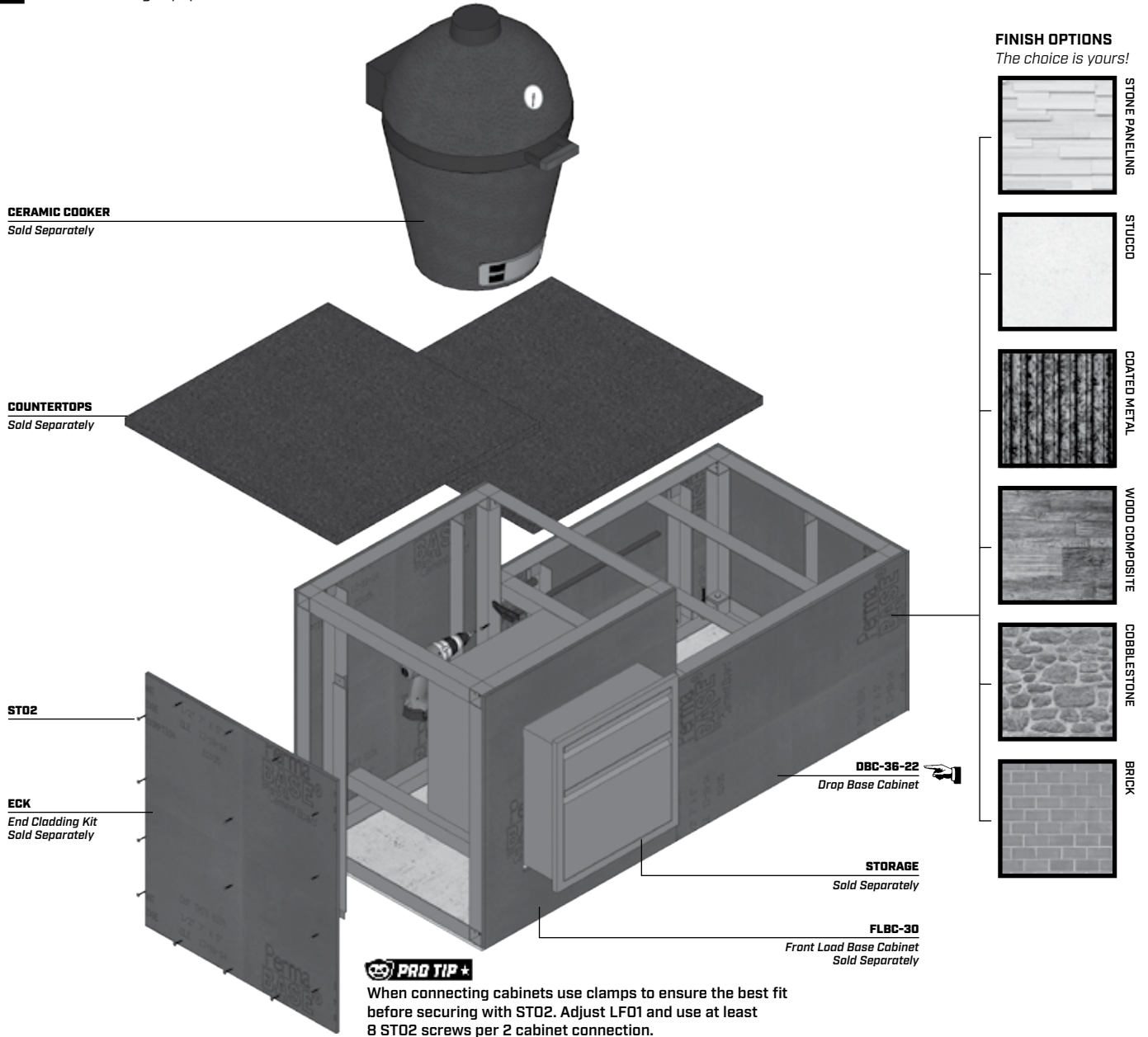


Use the end of ST01 to aid in the attachment of PB22x36.

DROP BASE CABINET

DBC Layout Example

STEP 6 Connect cabinets using ST02.
Use ECK to enclose ends. Finish to your liking after installing equipment and accessories.



STEP 7 Call the neighbors, you are now ready to celebrate your new outdoor kitchen!
Get your grill on! Check out our blog for recipes and maintenance tips!



Tag us on **Facebook, Instagram, or Twitter**
@grillnetics #BBQwinning

From everyone at **GRILLNETICS,**
Thank you!

DROP BASE CABINET BACKSLASH

Product Guide for All **DBC-BS** Models



R061720_09:40

Scan QR Code
Product Warranty
Videos, Orders



User safety depends on correct assembly!

This product guide contains important information for correct assembly. Always use proper safety methods and equipment to avoid injury and ensure product performance. If you have questions or need support call 1-855-906-3858 M-F 8am-5pm MST.



DBC-BS-36-13
Model Shown with DBC-36-22



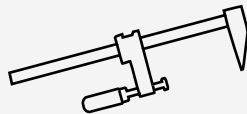
SUGGESTED TOOLS



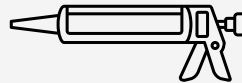
SAFETY GLASSES



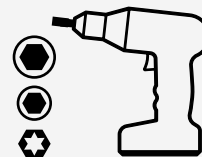
WORK GLOVES



CLAMPS



CAULK GUN



POWER DRILL + 5/16", 1/4" HEX BITS + T25 BIT (INCLUDED)



8" DRILL BIT EXTENSION

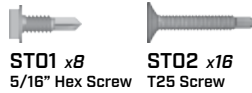
@2020 GRILLNETICS, LLC

DROP BASE CABINET BACKSLASH



DBC-BS Parts & Assembly Steps » DBC-BS-36-13 assembly shown.
The same steps apply for any DBC-BS size.

Check that you have all the listed parts. If any parts are missing **STOP** assembly and call 1-855-906-3858.



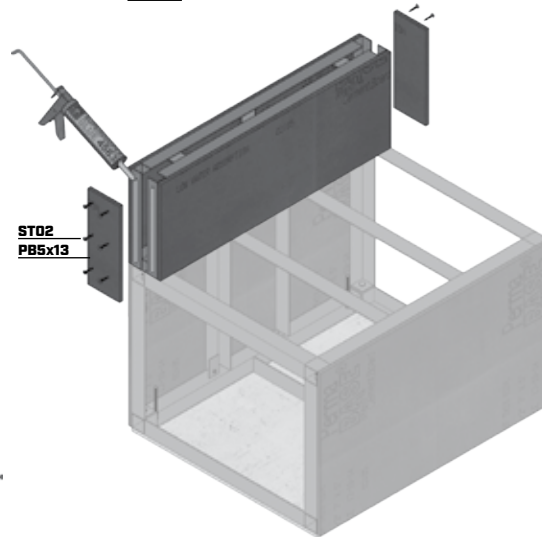
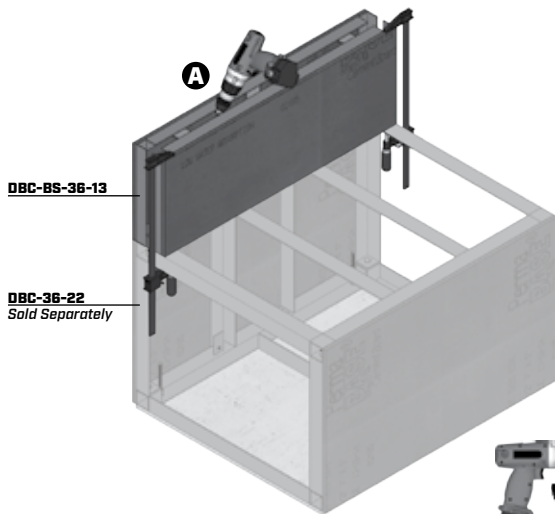
DBC-BS-##-## x1
Pre-sheathed wall frame where ##-## will be the width-height.
See example below.



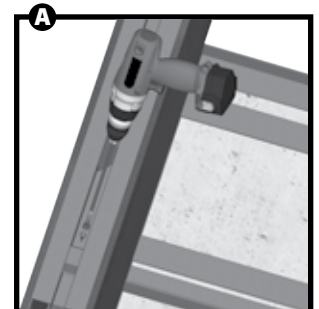
PB#x# x2
End clad panels
included as needed.

STEP 1 Use ST01 screws to fasten DBC-BS to the top panel of the drop base cabinet.

STEP 2 Use ST02 screws to attach end clad panels for finishing. Leave end panel off if connecting to another backsplash.



PRO TIP +
Use a bit extension with your drill to maximize your reach.
Cabinet height combined with DBC-BS height should equal 35".



Use **ST01** to fasten DBC-BS-36-13 to the cabinet frame.

PRO TIP +



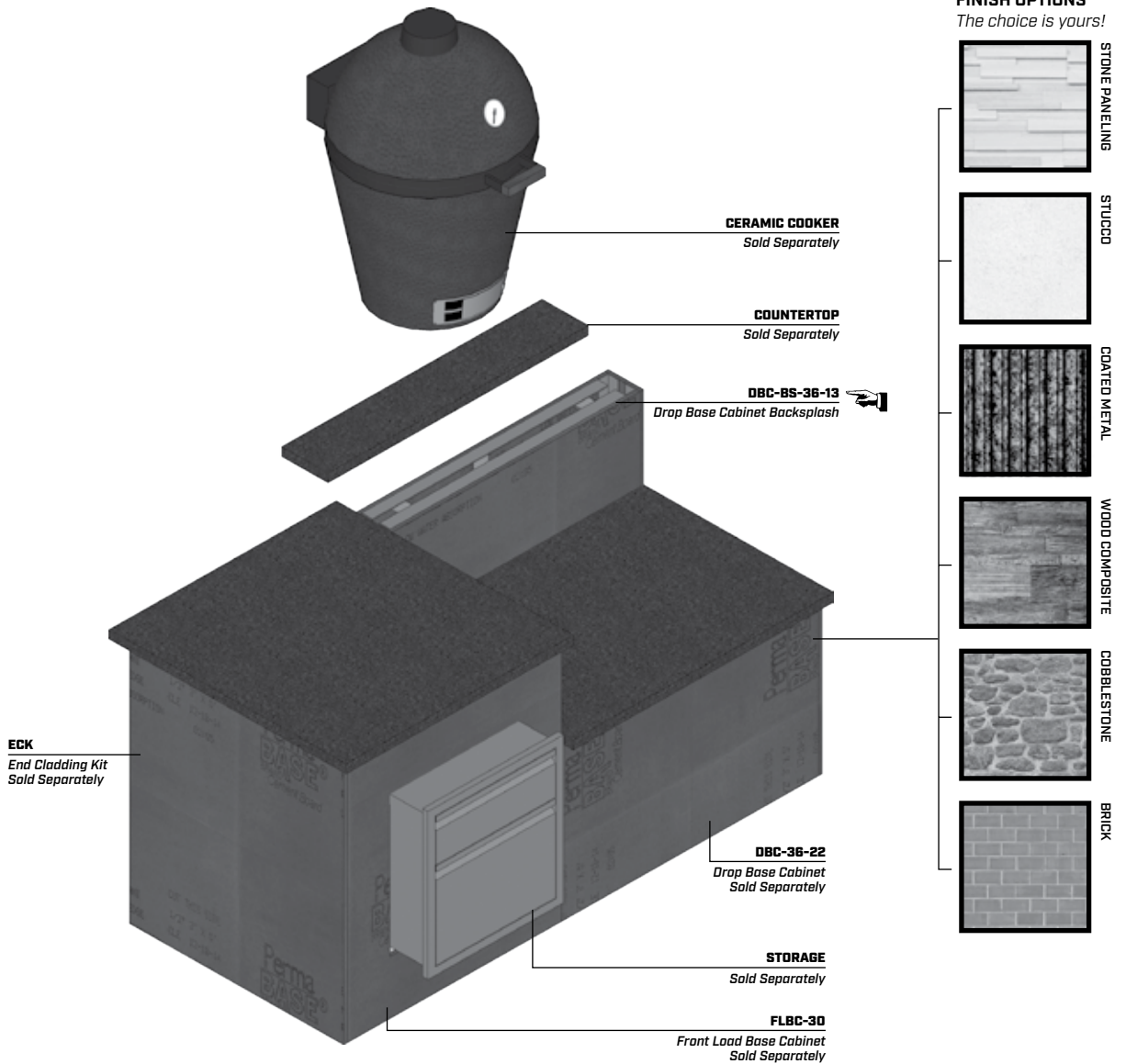
Point your smart-phone camera at this QR code!

Monkey see, monkey do! Watch a product assembly video and read through these steps before you begin building your cabinet!

DROP BASE CABINET BACKSLASH

DBC-BS Layout Example

STEP 3 Finish to your liking after installing equipment and accessories.



STEP 4 Call the neighbors, you are now ready to celebrate your new outdoor kitchen!
Get your grill on! Check out our blog for recipes and maintenance tips!



Tag us on **Facebook**, **Instagram**, or **Twitter**
@grillnetics #BBQwinning

From everyone at **GRILLNETICS**,
Thank you!

BACKSPLASH

Product Guide for All BS Models

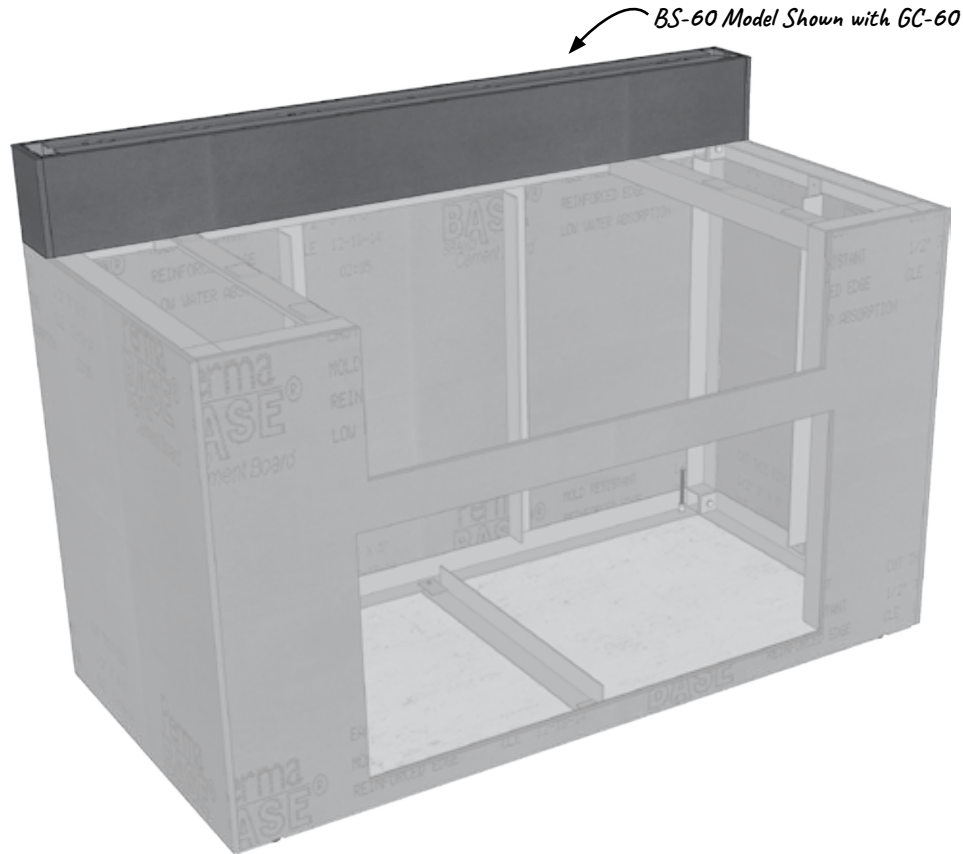


R052920

Scan QR Code
PRO-Tips & More
Videos, Orders
Product Warranty



User safety depends on correct assembly!
This product guide contains important information for correct assembly.
Always use proper safety methods and equipment to avoid injury and ensure product performance.
If you have questions or need support call 1-855-906-3858 M-F 8am-5pm MST.



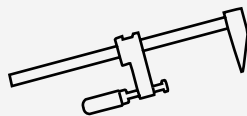
SUGGESTED TOOLS



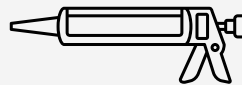
SAFETY GLASSES



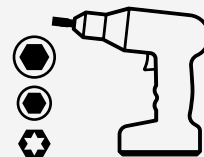
WORK GLOVES



CLAMPS



CAULK GUN



POWER DRILL + 5/16", 1/4" HEX BITS + T25 BIT (INCLUDED)



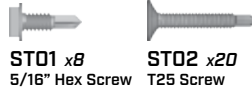
8" DRILL BIT EXTENSION

@2020 GRILLNETICS, LLC

BACKSPLASH

BS Parts & Assembly Steps » BS-60 assembly shown.
The same steps apply for any BS or TBS size.

Check that you have all the listed parts. If any parts are missing **STOP** assembly and call 1-855-906-3858.

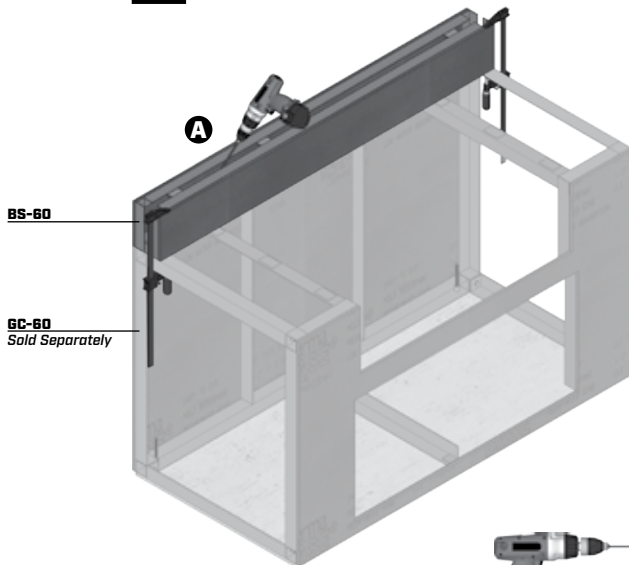


BS-## x1
Pre-sheathed wall frame where ## will be the width of the panel.
See example below.

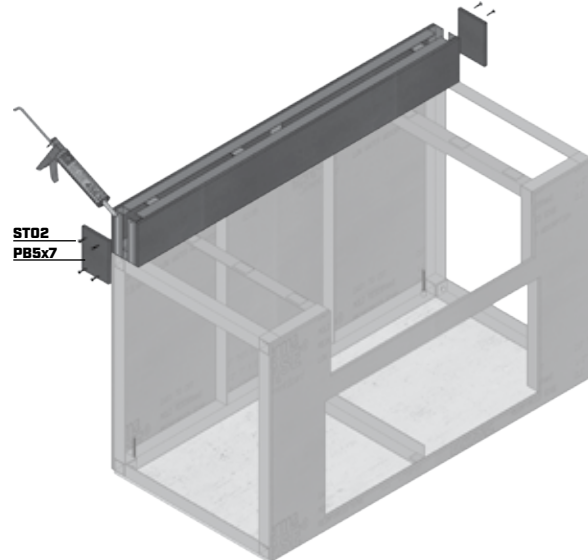


PB##x## x2
End clad panels
included as needed.

STEP 1 Use ST01 screws to fasten BS to back panel and CS of cabinet.

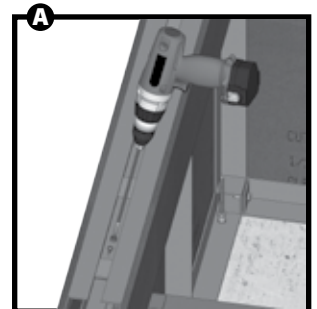


STEP 2 Use ST02 screws to attach end clad panels for finishing. Leave end panel off if connecting to another backsplash.



Point your smart-phone camera at this QR code!

Monkey see, monkey do! Watch a product assembly video and read through these steps before you begin building your cabinet!



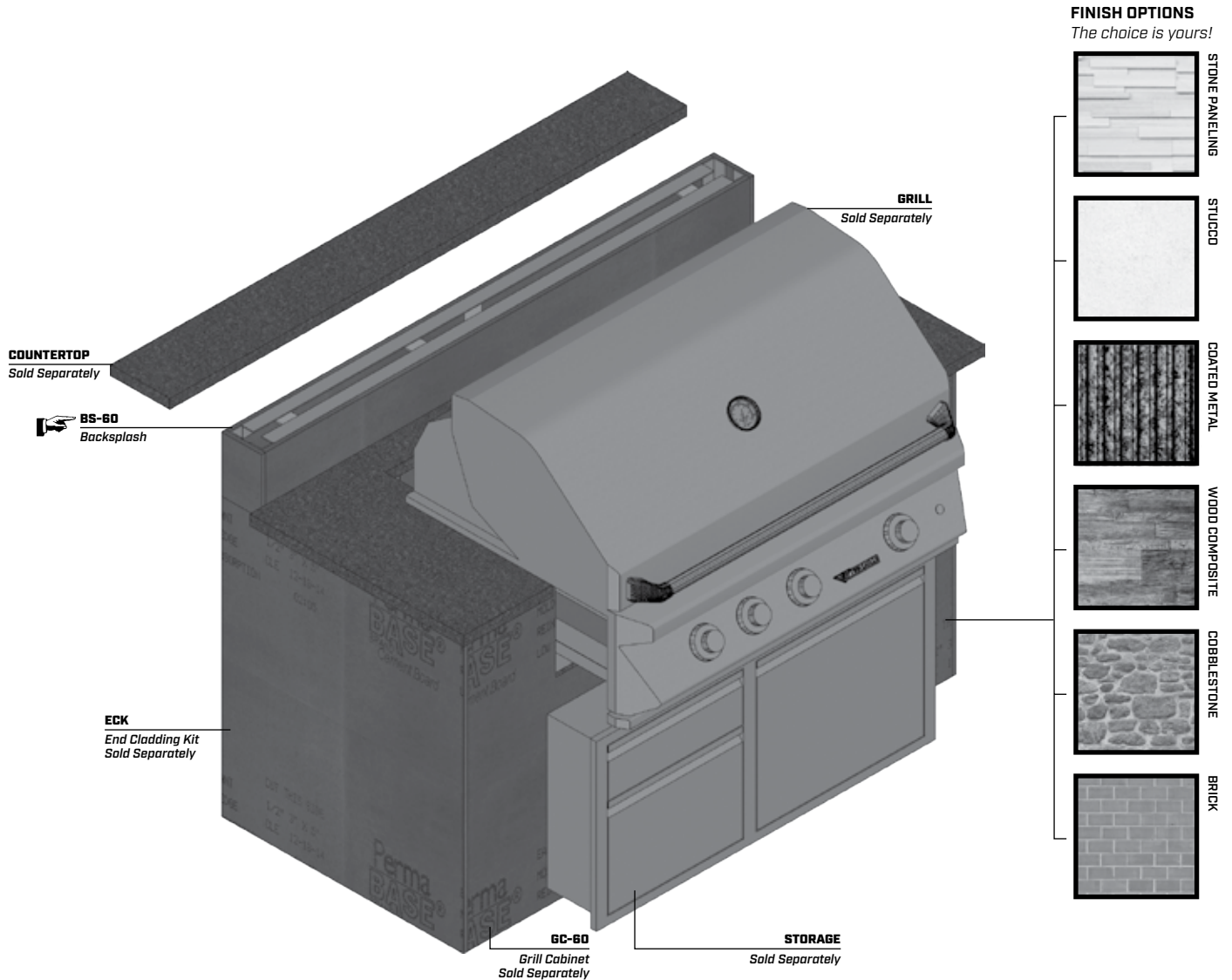
Use **ST01** to fasten BS-60 to the cabinet frame and support rails.

BACKSPLASH

BS Layout Example

STEP Finish to your liking after installing equipment and accessories.

3



STEP Call the neighbors, you are now ready to celebrate your new outdoor kitchen!
4 *Get your grill on!* Check out our blog for recipes and maintenance tips!



Tag us on **Facebook**, **Instagram**, or **Twitter**
@grillnetics #BBQwinning

From everyone at **GRILLNETICS**,
Thank you!

CORNER CABINET BACKSLASH

Product Guide for All **CC-BS** Models



R052920

Scan QR Code
Product Warranty
Videos, Orders



User safety depends on correct assembly!
This product guide contains important information for correct assembly.
Always use proper safety methods and equipment to avoid injury and ensure product performance.
If you have questions or need support call 1-855-906-3858 M-F 8am-5pm MST.



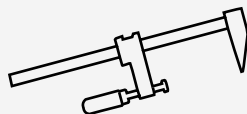
SUGGESTED TOOLS



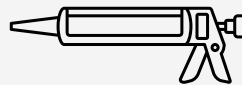
SAFETY GLASSES



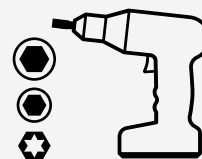
WORK GLOVES



CLAMPS



CAULK GUN



POWER DRILL + 5/16", 1/4" HEX BITS + T25 BIT (INCLUDED)



8" DRILL BIT EXTENSION

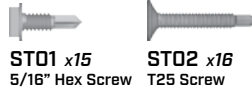
@2020 GRILLNETICS, LLC

CORNER CABINET BACKSLASH

CC-BS Parts & Assembly Diagram



Check that you have all the listed parts. If any parts are missing **STOP** assembly and call 1-855-906-3858.



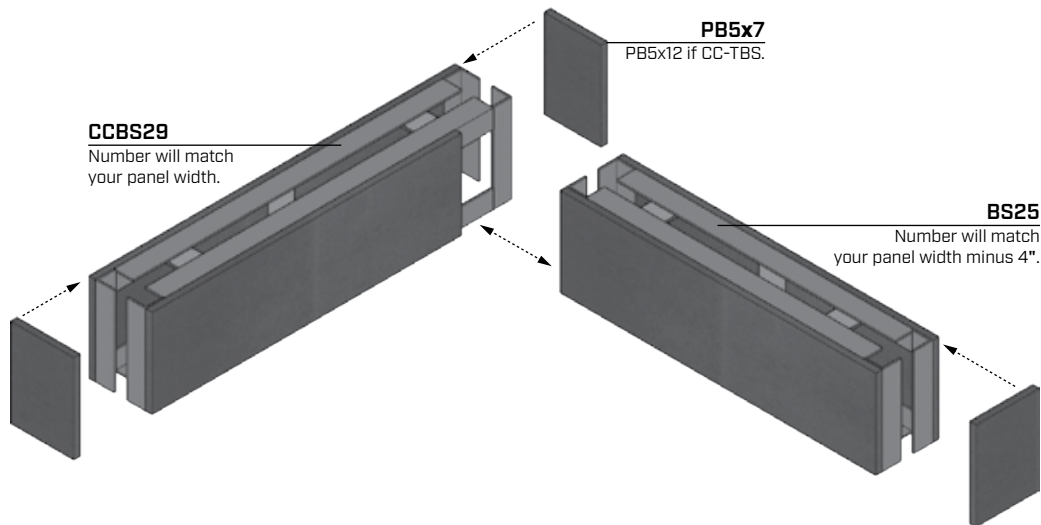
BS## x1
Pre-sheathed wall frame where ## will be the width of the panel minus 4". See example below.



CCBS## x1
Pre-sheathed wall frame where ## will be the width of the panel.



PB##x# x3
End clad panels included as needed.



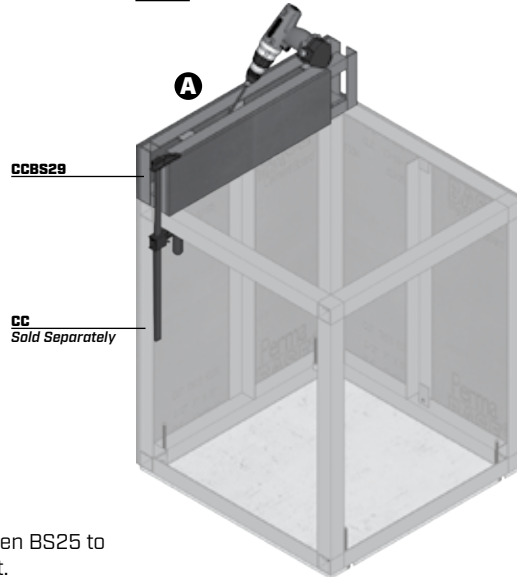
Point your smart-phone camera at this QR code!

Monkey see, monkey do! Watch a product assembly video and read through these steps before you begin building your cabinet!

CORNER CABINET BACKSPLASH

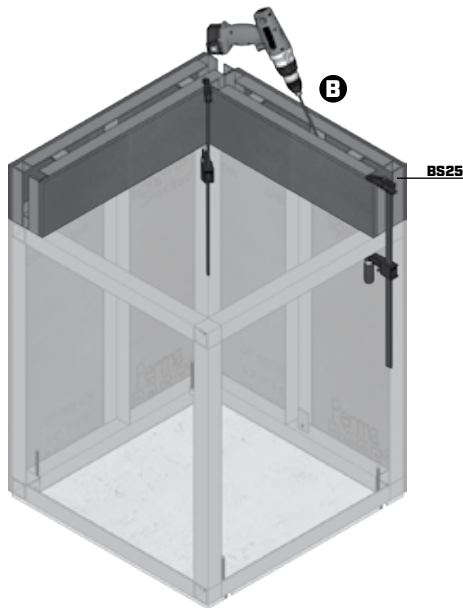
CC-BS Assembly Steps » CC-BS assembly shown.
The same steps apply for any CC-BS or CC-TBS size.

STEP 1 Use ST01 screws to fasten CCBS29 to the back panel of the corner cabinet.

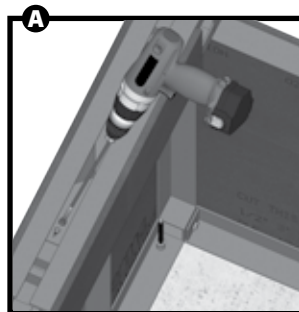
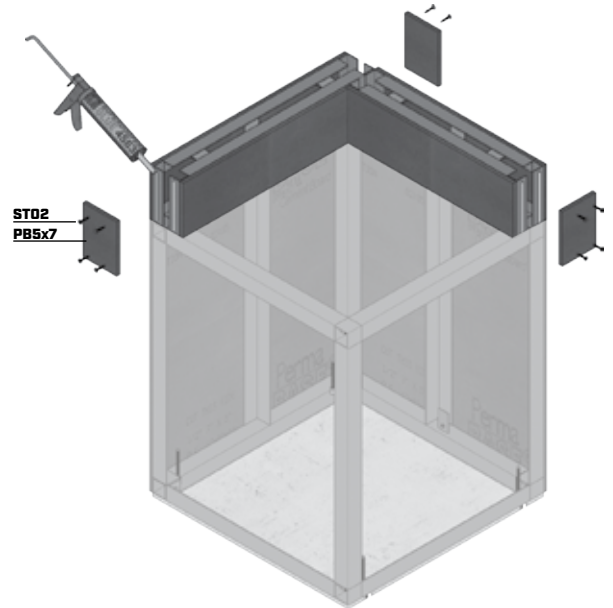


PRO TIP +
Use a bit extension with your drill to maximize your reach.

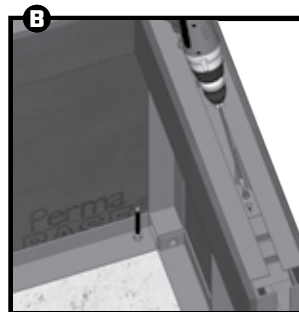
STEP 2 Use ST01 screws to fasten BS25 to CS of the corner cabinet.



STEP 3 Use ST02 screws to attach end clad panels for finishing. Leave end panel off if connecting to another backsplash.



Use **ST01** to fasten CCBS29 to the cabinet frame.



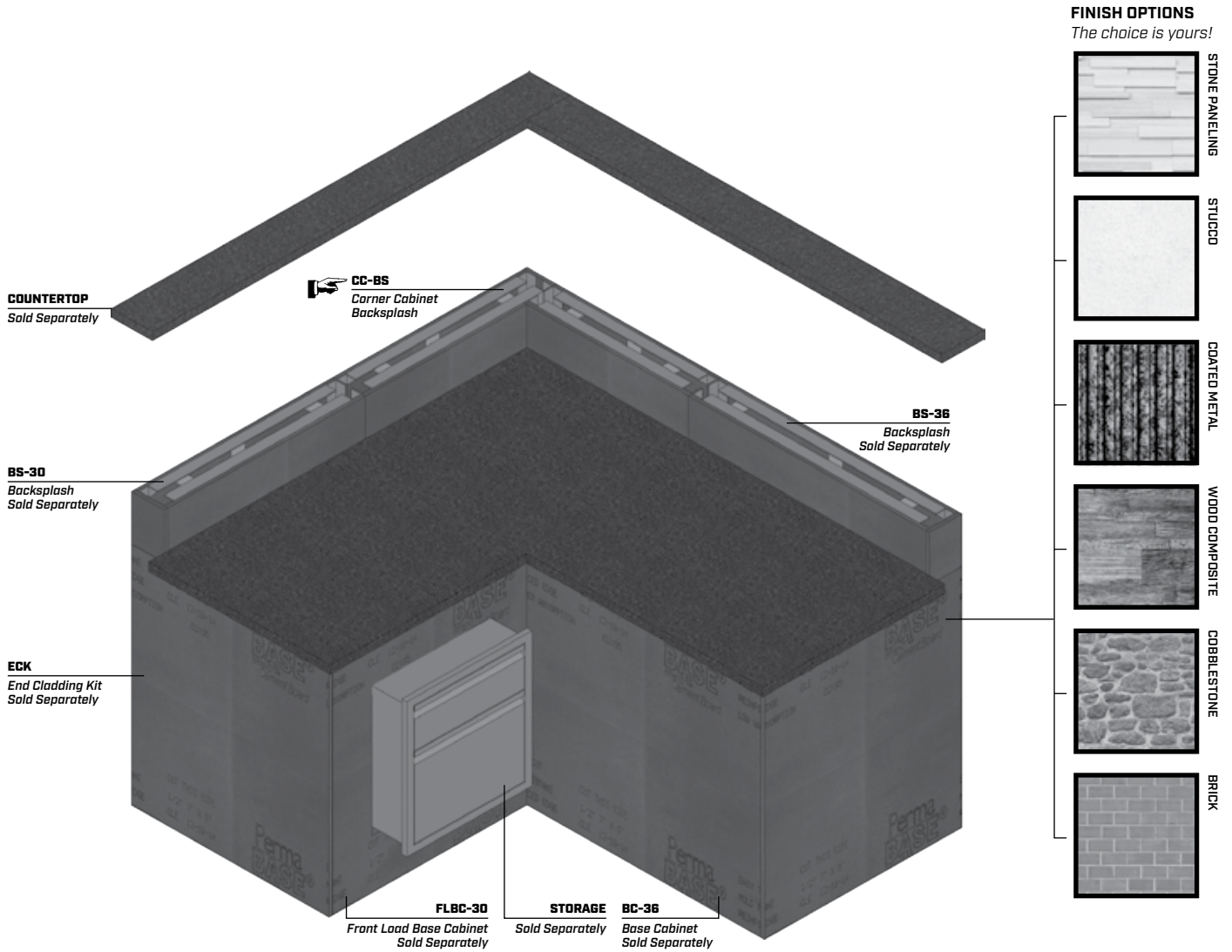
Use **ST01** to fasten BS25 to the cabinet frame.

CORNER CABINET BACKSPLASH

CC-BS Layout Example

STEP Finish to your liking after installing equipment and accessories.

4



STEP Call the neighbors, you are now ready to celebrate your new outdoor kitchen!
5 *Get your grill on!* Check out our blog for recipes and maintenance tips!



Tag us on **Facebook**, **Instagram**, or **Twitter**
@grillnetics #BBQwinning

From everyone at **GRILLNETICS**,
Thank you!

WEDGE BASE CABINET BACKSLASH

Product Guide for All WBC-BS Models

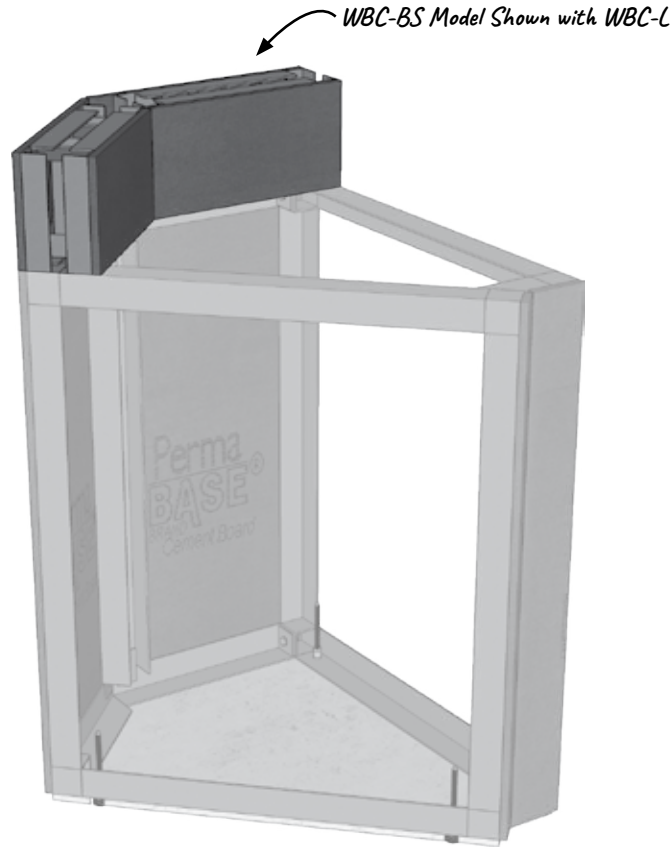


R053120

Scan QR Code
Product Warranty
Videos, Orders



User safety depends on correct assembly!
This product guide contains important information for correct assembly.
Always use proper safety methods and equipment to avoid injury and ensure product performance.
If you have questions or need support call 1-855-906-3858 M-F 8am-5pm MST.



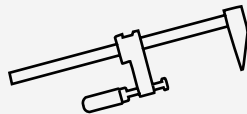
SUGGESTED TOOLS



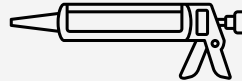
SAFETY GLASSES



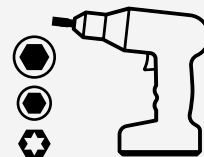
WORK GLOVES



CLAMPS



CAULK GUN



POWER DRILL + 5/16", 1/4" HEX BITS + T25 BIT (INCLUDED)



8" DRILL BIT EXTENSION

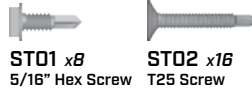
@2020 GRILLNETICS, LLC

WEDGE BASE CABINET BACKSPLASH

WBC-BS Parts & Assembly Diagram



Check that you have all the listed parts. If any parts are missing **STOP** assembly and call 1-855-906-3858.



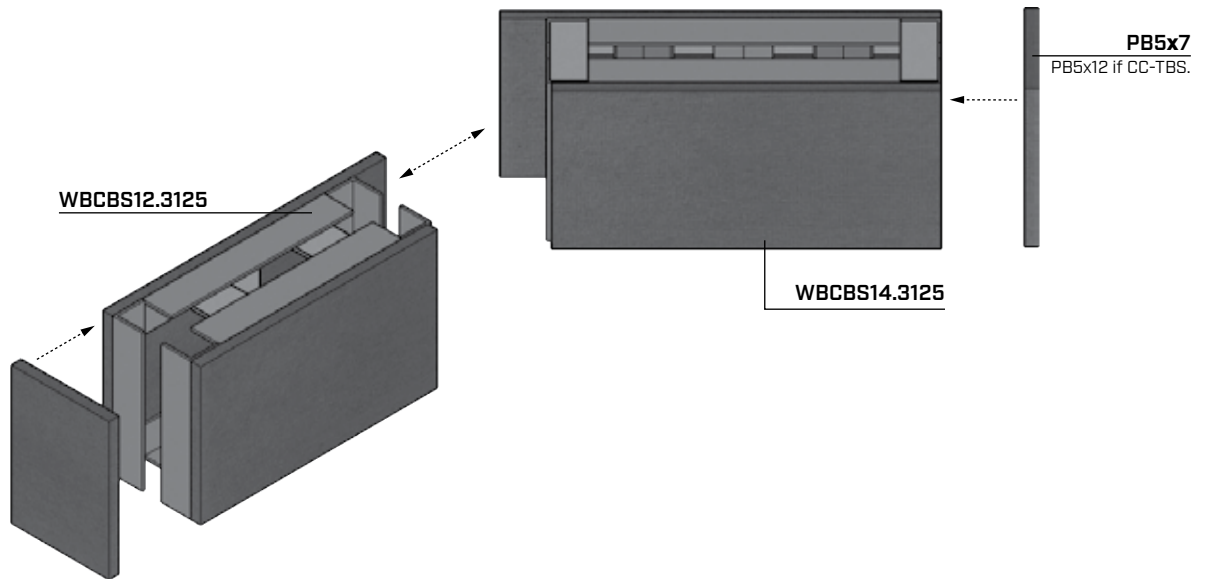
WBCBS12.3125 x1
Pre-sheeted wall frame
where the width is 12.3125".
See example below.



WBCBS14.3125 x1
Pre-sheeted wall frame
where the width is 14.3125".



PB#x# x2
End clad panels
included as needed.



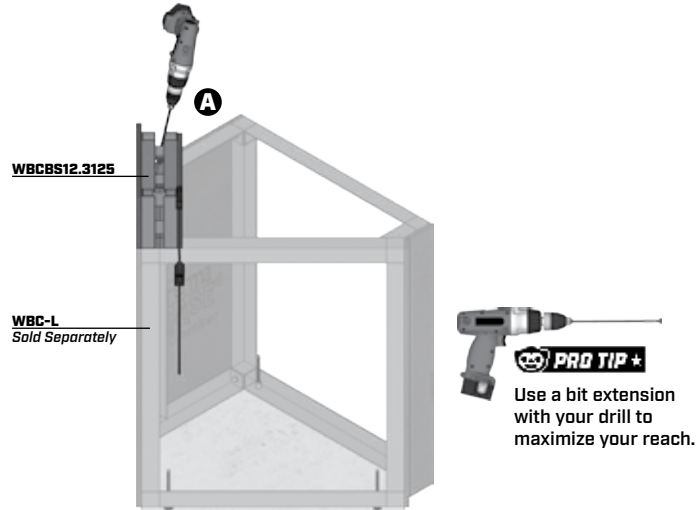
Point your smart-phone
camera at this QR code!

Monkey see, monkey do! Watch a product assembly video and read through these steps before you begin building your cabinet!

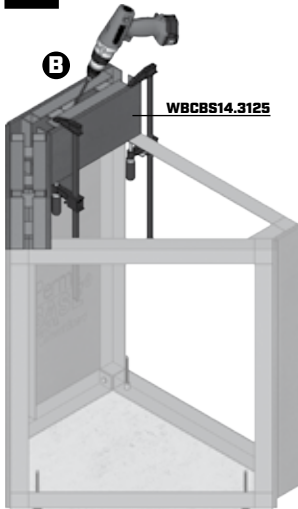
WEDGE BASE CABINET BACKSPLASH

WBC-BS Assembly Steps » WBC-BS assembly shown.
The same steps apply for any WBC-BS or WBC-TBS size.

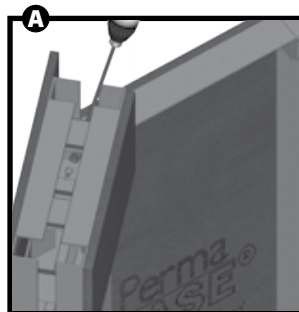
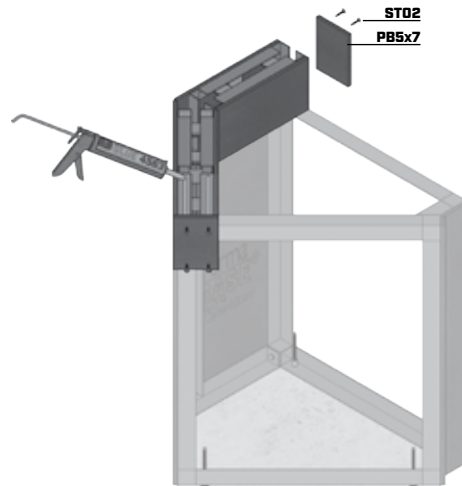
STEP 1 Use ST01 screws to fasten WBCBS12.3125 to the WBC-CS of the cabinet.



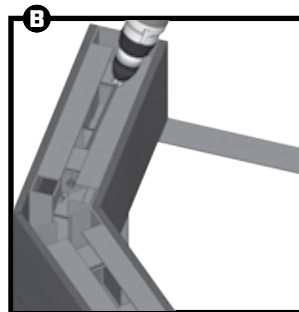
STEP 2 Use ST01 screws to fasten WBCBS14.3125 to the WBC-CS of the cabinet.



STEP 3 Use ST02 screws to attach end clad panels for finishing. Leave end panel off if connecting to another backsplash.



Use **ST01** to fasten WBCBS12.3125 to the WBC-CS.



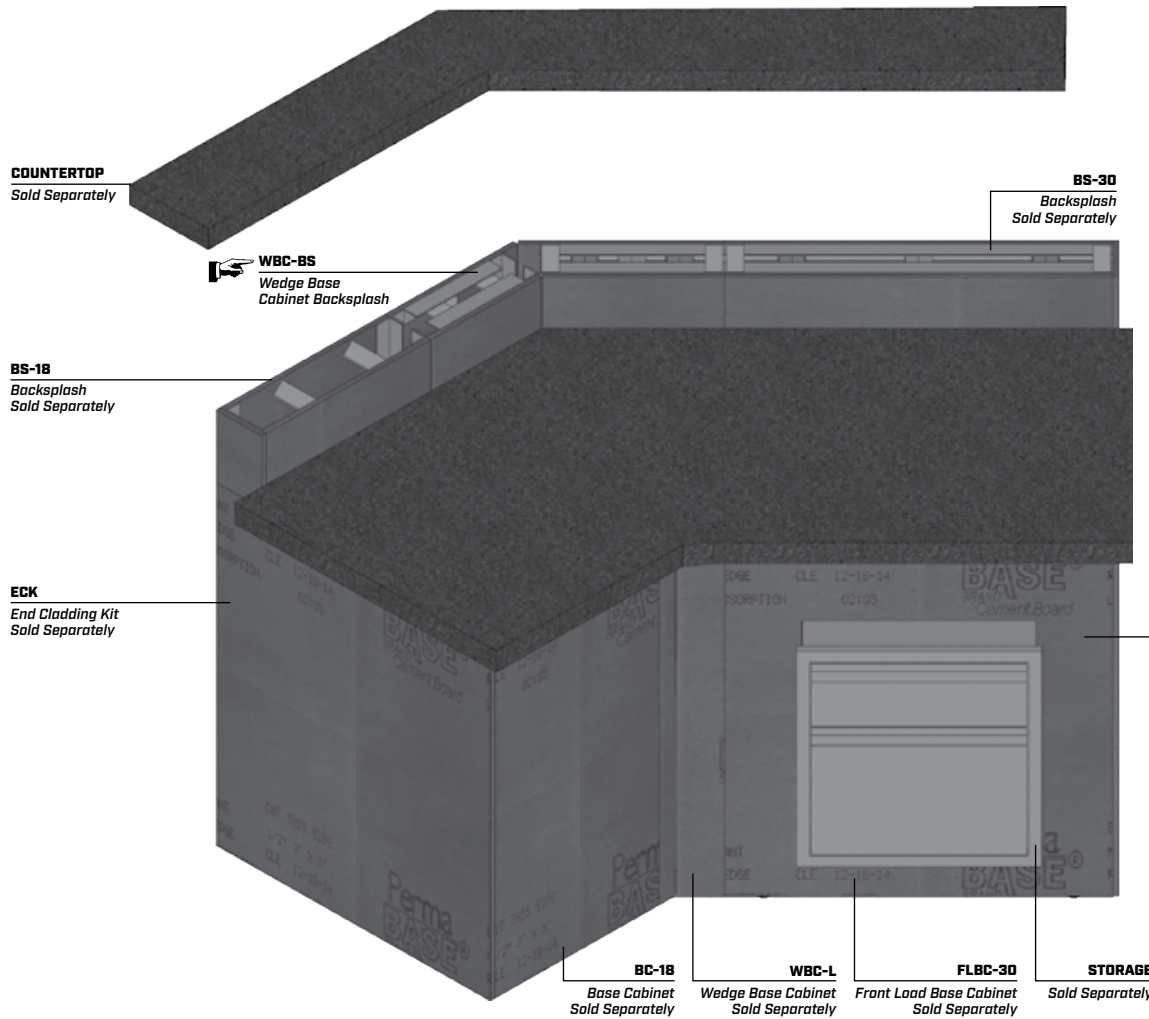
Use **ST01** to fasten WBCBS14.3125 to the WBC-CS.

WEDGE BASE CABINET BACKSPLASH

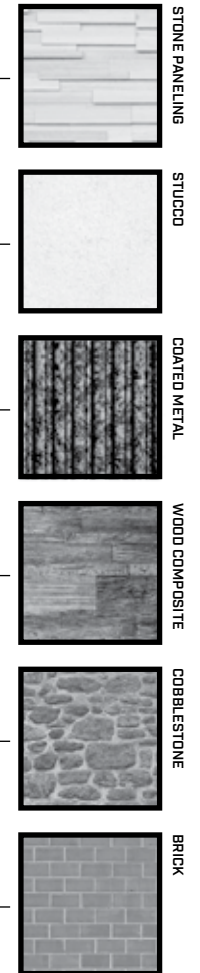
WBC-BS Layout Example

STEP Finish to your liking after installing equipment and accessories.

4



FINISH OPTIONS
The choice is yours!



STEP Call the neighbors, you are now ready to celebrate your new outdoor kitchen!
5 *Get your grill on!* Check out our blog for recipes and maintenance tips!



Tag us on **Facebook**, **Instagram**, or **Twitter**
@grillnetics #BBQwinning

From everyone at **GRILLNETICS**,
Thank you!

FRONT LOAD CORNER CABINET BACKSPLASH

Product Guide for All **FLCC45-BS** Models



R052920

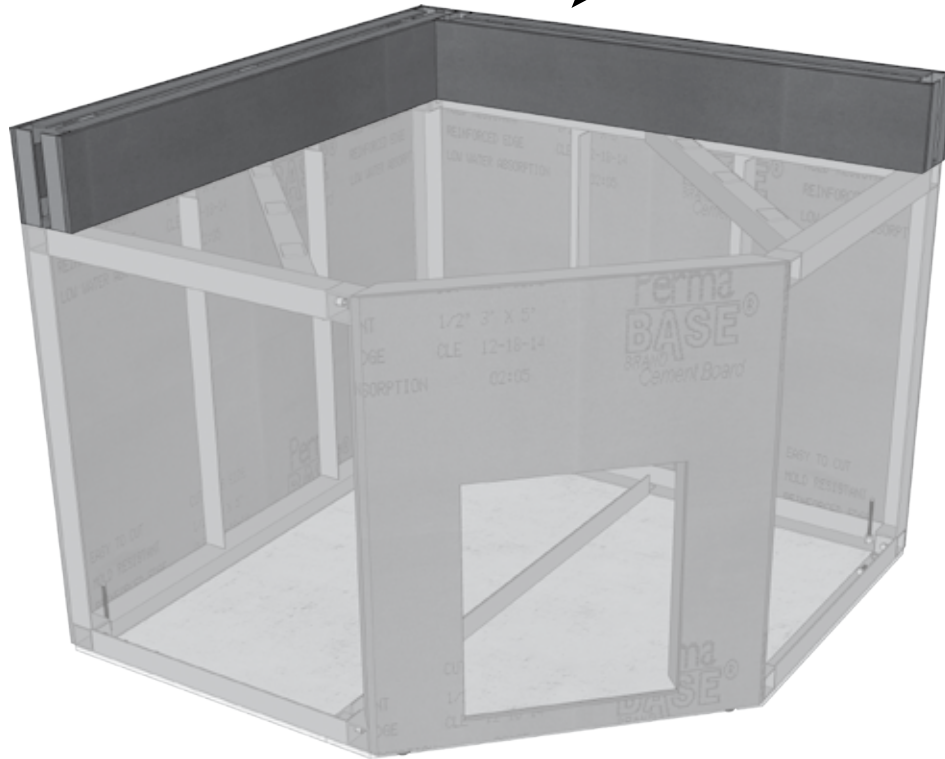
Scan QR Code
Product Warranty
Videos, Orders



User safety depends on correct assembly!
This product guide contains important information for correct assembly.
Always use proper safety methods and equipment to avoid injury and ensure product performance.
If you have questions or need support call 1-855-906-3858 M-F 8am-5pm MST.



FLCC45-BS Model Shown with FLCC45



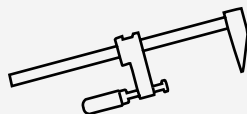
SUGGESTED TOOLS



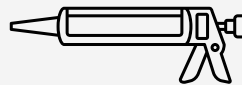
SAFETY GLASSES



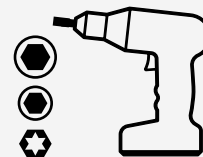
WORK GLOVES



CLAMPS



CAULK GUN



POWER DRILL + 5/16", 1/4" HEX BITS + T25 BIT (INCLUDED)



8" DRILL BIT EXTENSION

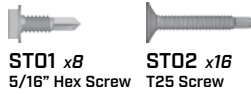
@2020 GRILLNETICS, LLC

FRONT LOAD CORNER CABINET BACKSPLASH

FLCC45-BS Parts & Assembly Diagram



Check that you have all the listed parts. If any parts are missing **STOP** assembly and call 1-855-906-3858.



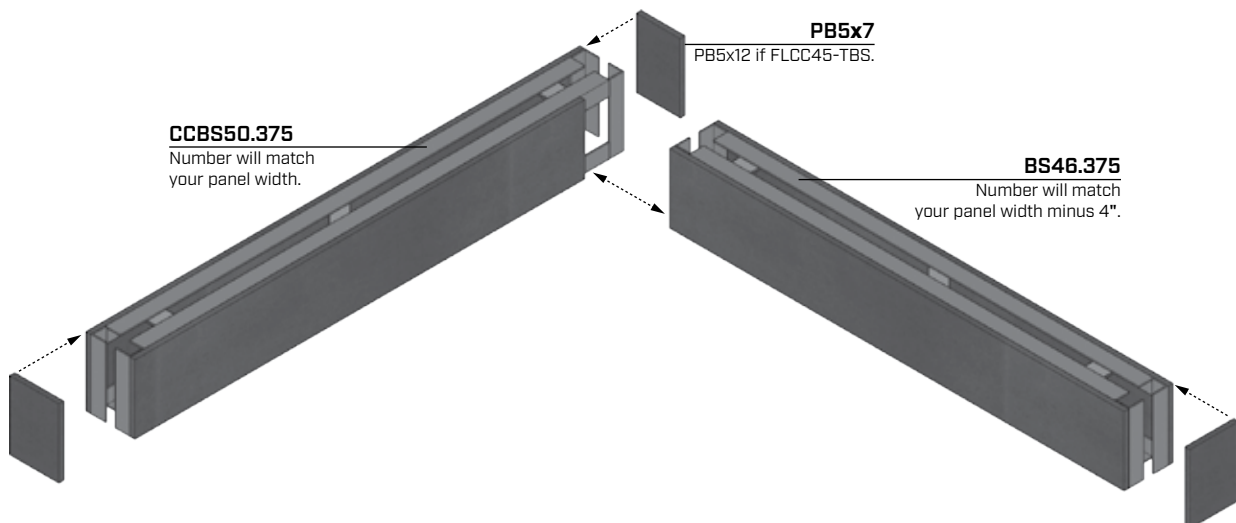
BS## x1
Pre-sheathed wall frame where ## will be the width of the panel minus 4".
See example below.



PB#x# x3
End clad panels included as needed.



CCBS## x1
Pre-sheathed wall frame where ## will be the width of the panel.



PRO TIP ★



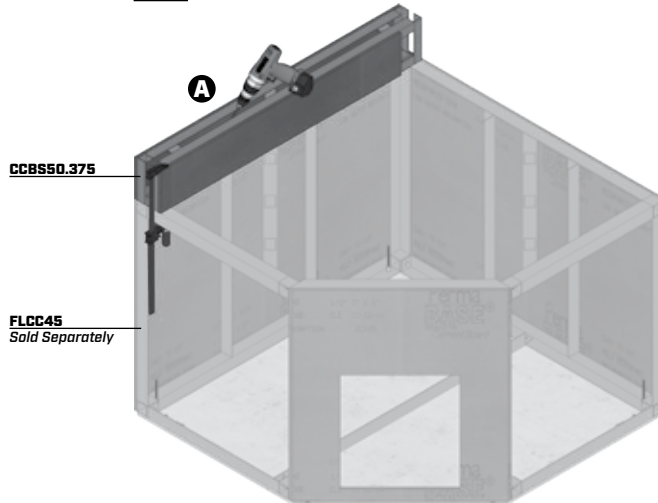
Point your smart-phone camera at this QR code!

Monkey see, monkey do! Watch a product assembly video and read through these steps before you begin building your cabinet!

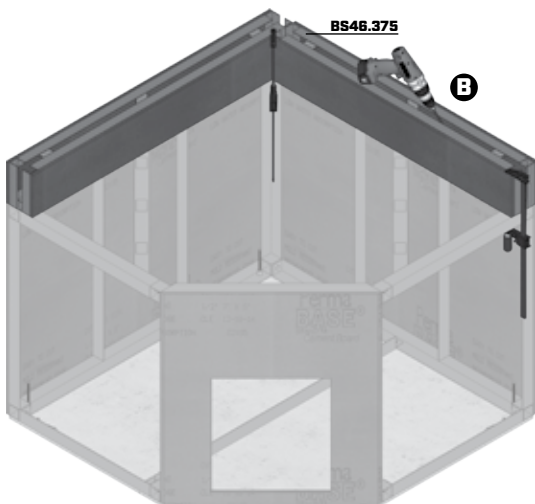
FRONT LOAD CORNER CABINET BACKSPLASH

FLCC45-BS Assembly Steps » FLCC45-BS assembly shown.
The same steps apply for any FLCC45-BS or FLCC45-TBS size.

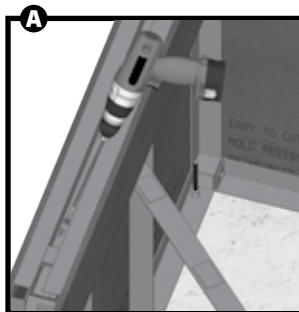
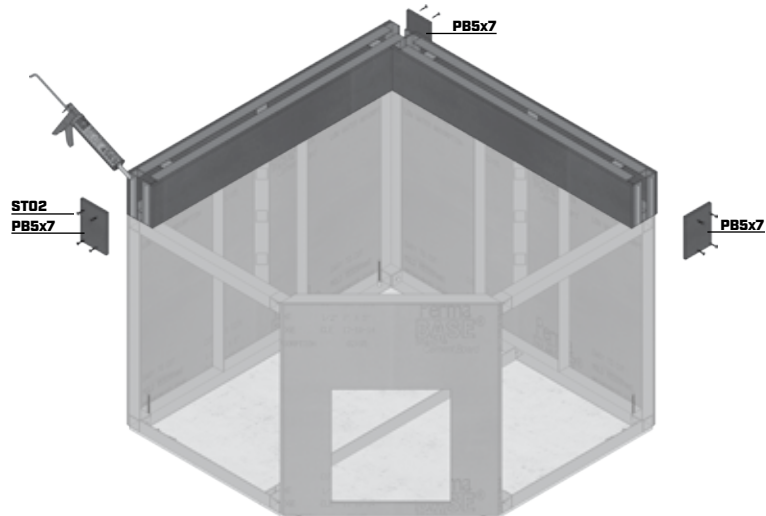
STEP 1 Use ST01 screws to fasten CCBS50.375 to the left back panel of the corner cabinet.



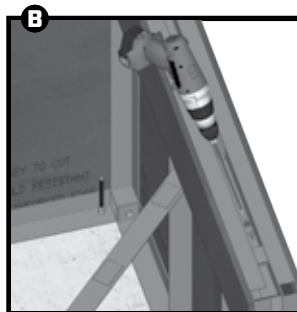
STEP 2 Use ST01 screws to fasten BS46.375 to the right back panel of the corner cabinet.



STEP 3 Use ST02 screws to attach end clad panels for finishing. Leave end panel off if connecting to another backsplash.



Use **ST01** to fasten CCBS50.375 to the cabinet frame.



Use **ST01** to fasten BS46.375 to the cabinet frame.

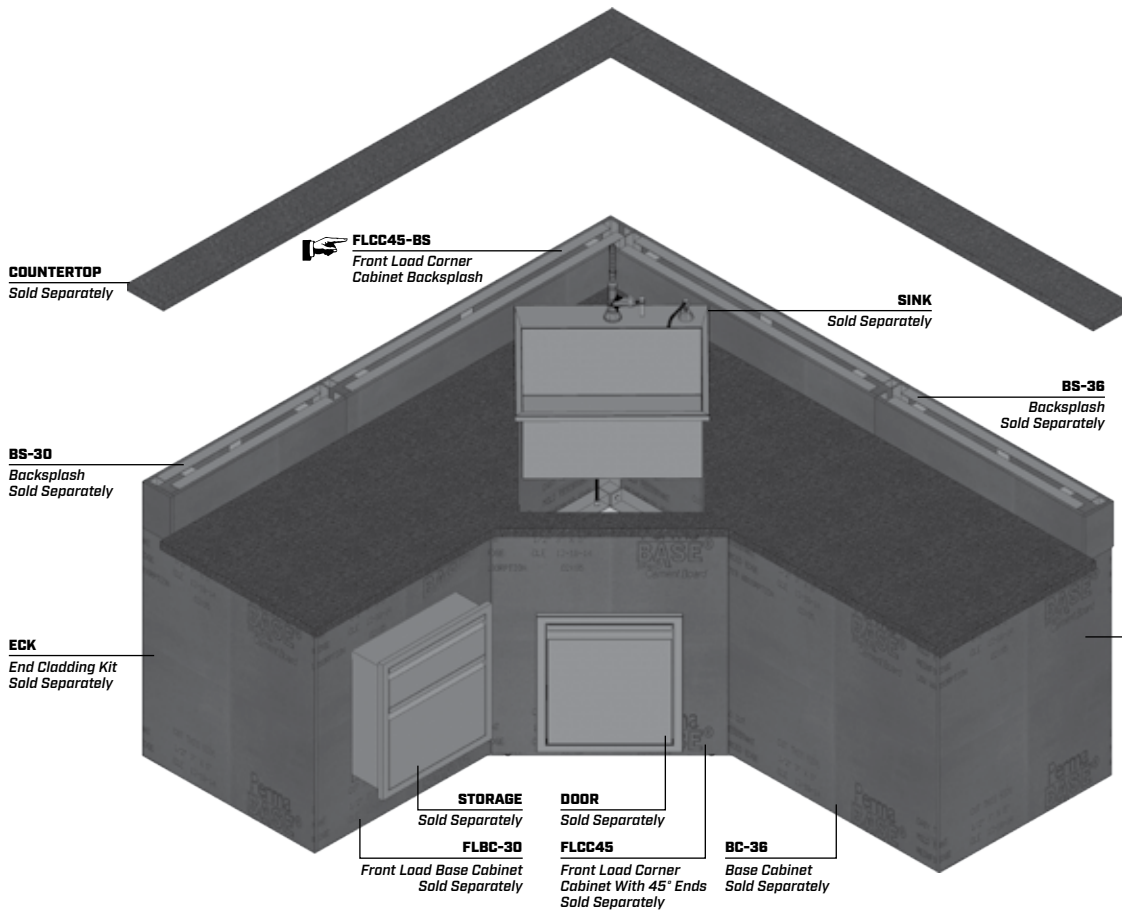
FRONT LOAD CORNER CABINET BACKSPLASH

FLCC45-BS Layout Example

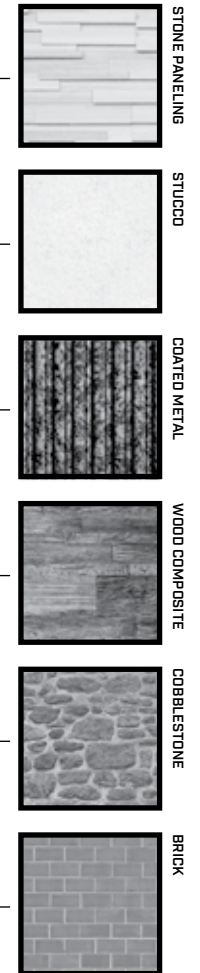


STEP 4 Finish to your liking after installing equipment and accessories.

4



FINISH OPTIONS
The choice is yours!



STEP 5 Call the neighbors, you are now ready to celebrate your new outdoor kitchen!
Get your grill on! Check out our blog for recipes and maintenance tips!



Tag us on **Facebook, Instagram, or Twitter**
@grillnetics #BBQwinning

From everyone at **GRILLNETICS,**
Thank you!

SMALL BEVERAGE COOLER BACKSPLASH

Product Guide for All **SBC-BS** Models

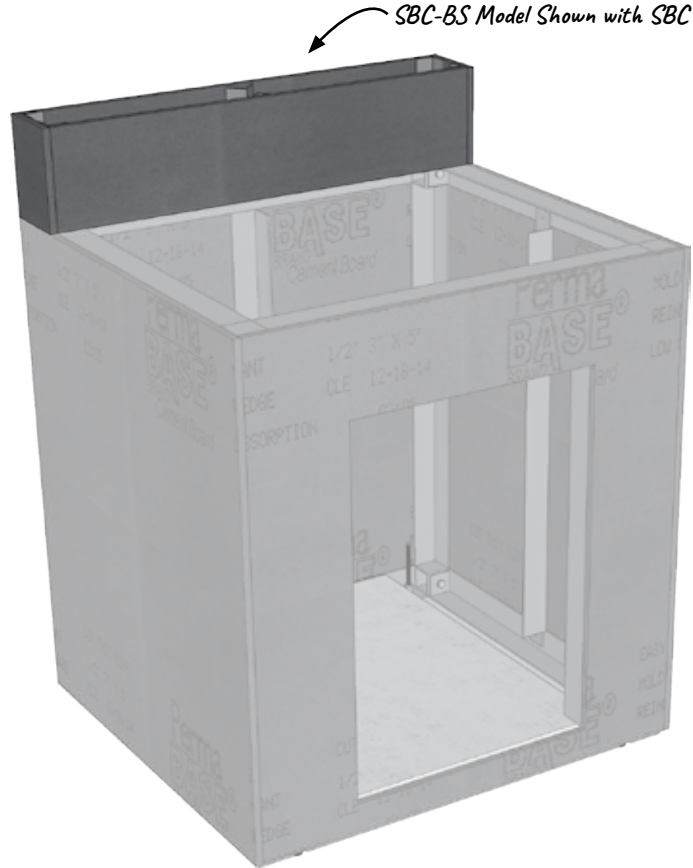


R052920

User safety depends on correct assembly!

This product guide contains important information for correct assembly. Always use proper safety methods and equipment to avoid injury and ensure product performance. If you have questions or need support call 1-855-906-3858 M-F 8am-5pm MST.

Scan QR Code
PRO-Tips & More
Videos, Orders
Product Warranty



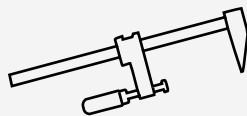
SUGGESTED TOOLS



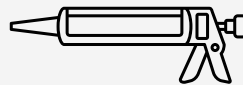
SAFETY GLASSES



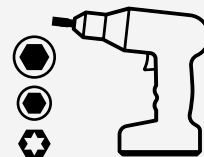
WORK GLOVES



CLAMPS



CAULK GUN



POWER DRILL + 5/16", 1/4" HEX BITS + T25 BIT (INCLUDED)



8" DRILL BIT EXTENSION

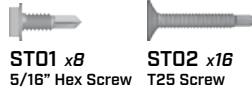
@2020 GRILLNETICS, LLC

SMALL BEVERAGE COOLER BACKSPLASH



SBC-BS Parts & Assembly Steps » SBC-BS assembly shown.
The same steps apply for any SBC-BS or SBC-TBS size.

Check that you have all the listed parts. If any parts are missing **STOP** assembly and call 1-855-906-3858.

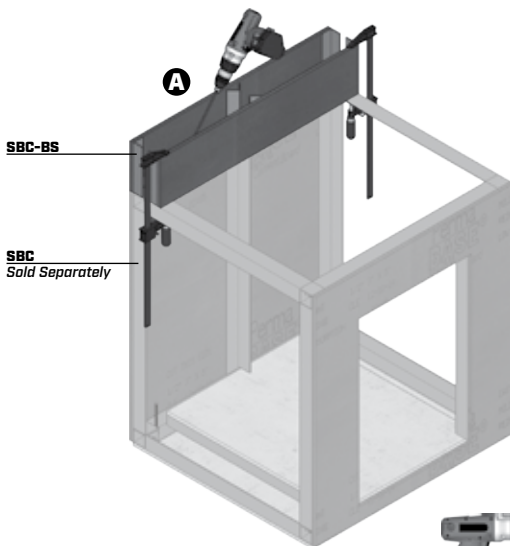


SBC-BS x1
Pre-sheathed wall frame where the width is 32".
See example below.

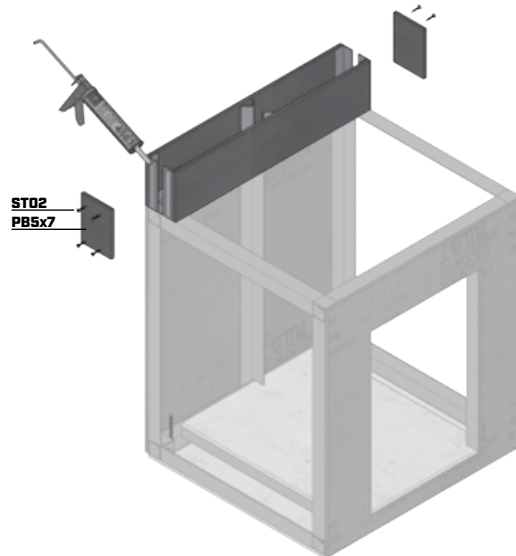


PB#x# x2
End clad panels
included as needed.

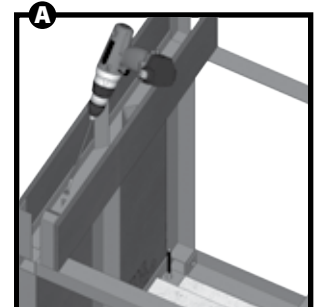
STEP 1 Use ST01 screws to fasten SBC-BS to back panel and CS of cabinet.



STEP 2 Use ST02 screws to attach end clad panels for finishing. Leave end panel off if connecting to another backsplash.



PRO TIP
Use a bit extension with your drill to maximize your reach.



Use **ST01** to fasten SBC-BS to the cabinet frame and support rails.



Point your smart-phone camera at this QR code!



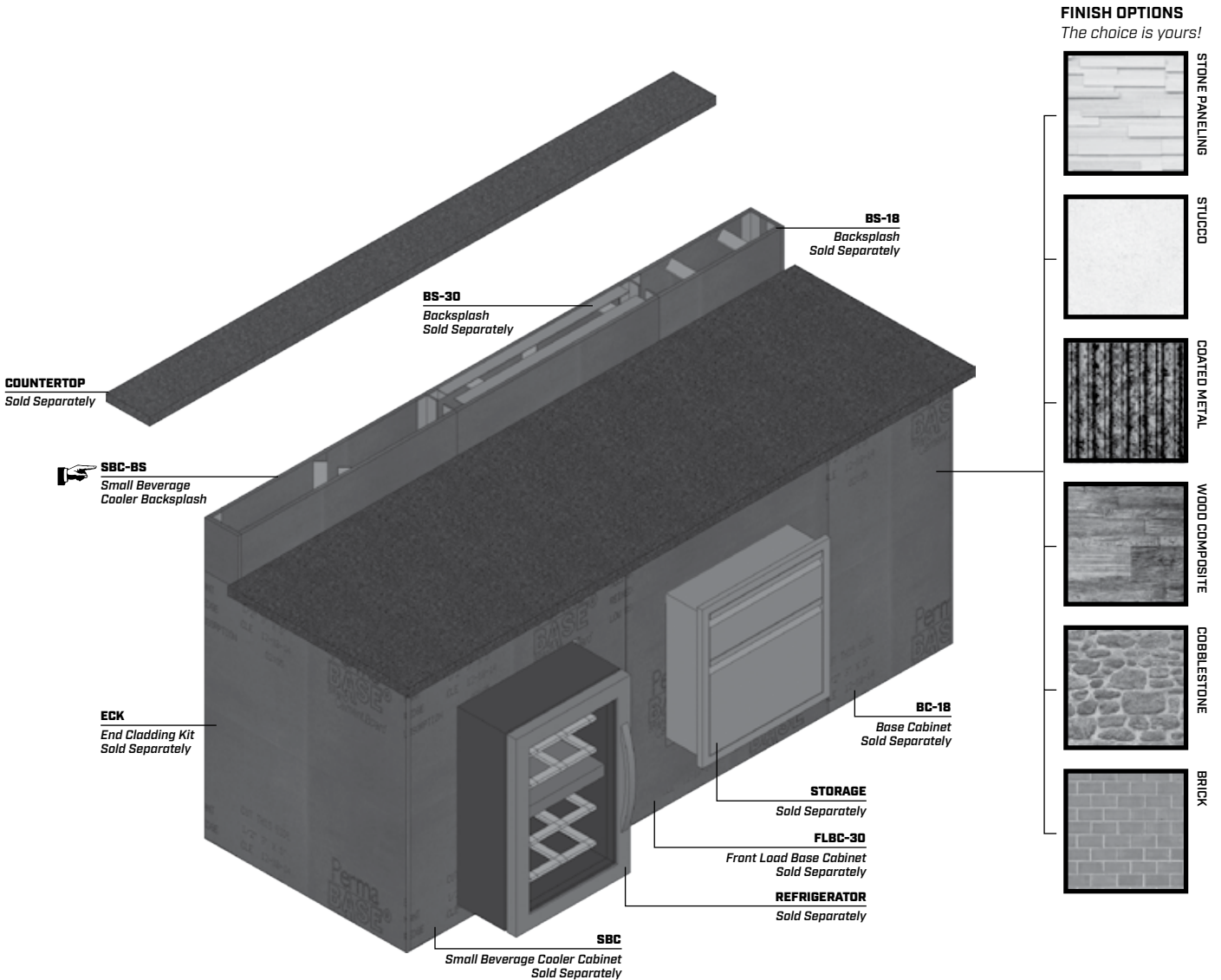
Monkey see, monkey do! Watch a product assembly video and read through these steps before you begin building your cabinet!

SMALL BEVERAGE COOLER BACKSPLASH

SBC-BS Layout Example

STEP 3 Finish to your liking after installing equipment and accessories.

3



STEP 4 Call the neighbors, you are now ready to celebrate your new outdoor kitchen!
Get your grill on! Check out our blog for recipes and maintenance tips!

4



Tag us on **Facebook**, **Instagram**, or **Twitter**
@grillnetics #BBQwinning

From everyone at **GRILLNETICS**,
Thank you!

GRILL CABINET GRILL SUPPORT ARMS

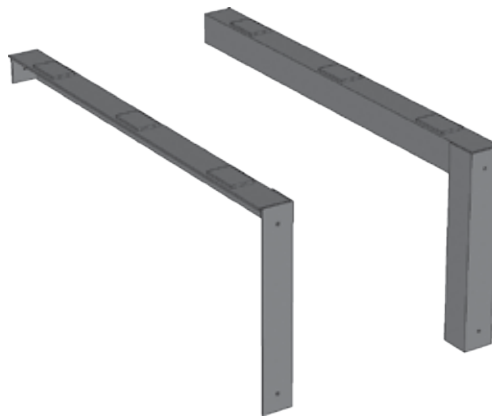
Product Guide for All **GC-GSA** Models



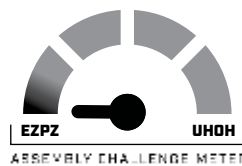
R060120



User safety depends on correct assembly!
This product guide contains important information for correct assembly.
Always use proper safety methods and equipment to avoid injury and ensure product performance.
If you have questions or need support call 1-855-906-3858 M-F 8am-5pm MST.



GC-GSA Model Shown



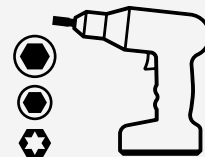
SUGGESTED TOOLS



SAFETY GLASSES



WORK GLOVES



POWER DRILL + 5/16", 1/4" HEX BITS + T25 BIT (INCLUDED)

@2020 GRILLNETICS, LLC

GRILL CABINET GRILL SUPPORT ARMS

Product Guide for All **GC-GSA** Models



Check that you have all the listed parts. If any parts are missing **STOP** assembly and call 1-855-906-3858.



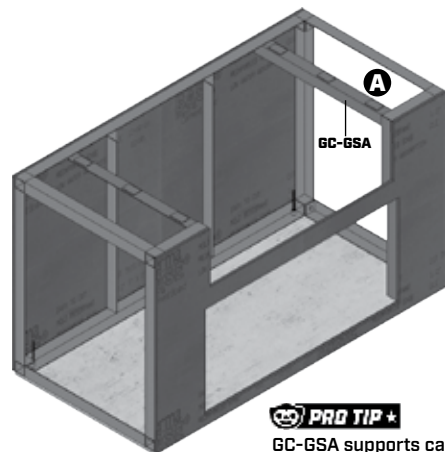
GC-GSA x1 Pair
Grill Support Arms



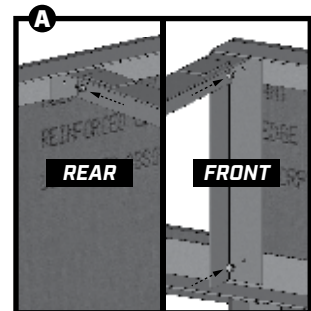
ST01 x15
5/16" Hex Screw



Use **ST01** to install **GC-GSA** (2).



PRO TIP ★
GC-GSA supports can be swapped
for easier access of **ST01** assembly.



Use **ST01** to connect **GC-GSA** to
front and rear panels.



Point your smart-phone
camera at this QR code!

Monkey see, monkey do! Watch a product assembly video and read through these steps before you begin building your cabinet!

From everyone at **GRILLNETICS**,
Thank you!

GRILL CABINET VERTICAL ADJUSTABLE RAILS

Product Guide for All **GC-VAR** Models

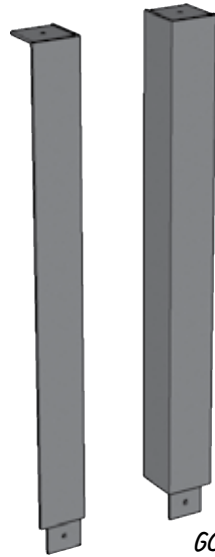


R060120

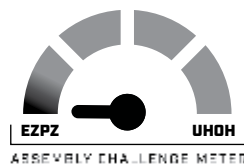


User safety depends on correct assembly!

This product guide contains important information for correct assembly. Always use proper safety methods and equipment to avoid injury and ensure product performance. *If you have questions or need support call 1-855-906-3858 M-F 8am-5pm MST.*



GC-VAR Model Shown



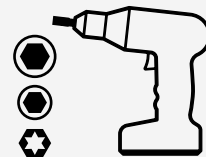
SUGGESTED TOOLS



SAFETY GLASSES



WORK GLOVES



POWER DRILL + 5/16", 1/4" HEX BITS + T25 BIT (INCLUDED)

@2020 GRILLNETICS, LLC

GRILL CABINET VERTICAL ADJUSTABLE RAILS

Product Guide for All **GC-VAR** Models



Check that you have all the listed parts. If any parts are missing **STOP** assembly and call 1-855-906-3858.



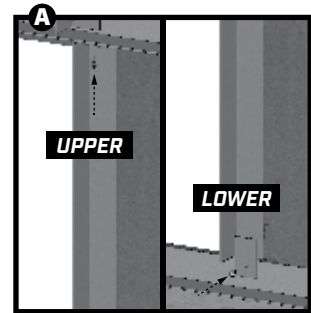
GC-VAR x1 Pair
Left & Right GC Specific
Vertical Adjustable Rails



ST01 x15
5/16" Hex Screw



Use ST01 to install GC-VAR supports (2).



Use **ST01** to connect **GC-VAR** to front panel below fixed support rail.



Point your smart-phone camera at this QR code!

Monkey see, monkey do! Watch a product assembly video and read through these steps before you begin building your cabinet!

From everyone at **GRILLNETICS**,
Thank you!

FULL VERTICAL ADJUSTABLE RAILS

Product Guide for All FVAR Models

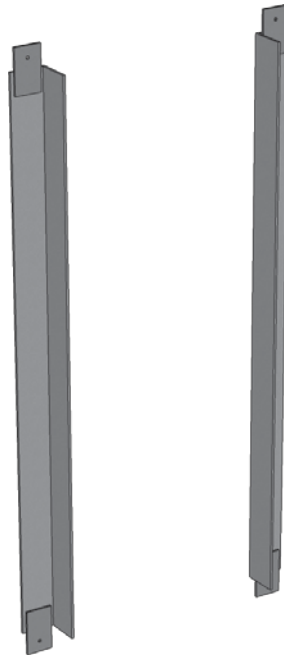


R061220

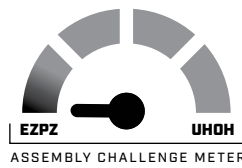


User safety depends on correct assembly!

This product guide contains important information for correct assembly. Always use proper safety methods and equipment to avoid injury and ensure product performance. If you have questions or need support call 1-855-906-3858 M-F 8am-5pm MST.



FVAR-35 Model Shown



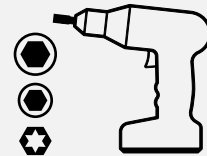
SUGGESTED TOOLS



SAFETY GLASSES



WORK GLOVES



POWER DRILL + 5/16", 1/4" HEX BITS + T25 BIT (INCLUDED)

@2020 GRILLNETICS, LLC

FULL VERTICAL ADJUSTABLE RAILS

FVAR Parts & Assembly » FVAR-35 assembly shown.

Check that you have all the listed parts. If any parts are missing **STOP** assembly and call 1-855-906-3858.



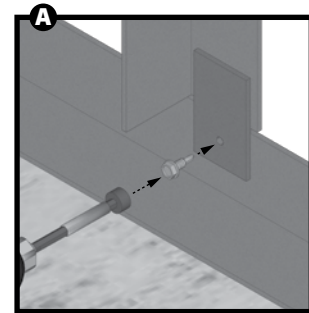
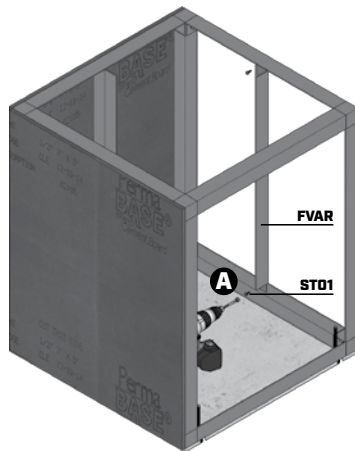
FVAR x2
Full Vertical
Adjustable Rail



ST01 x15
5/16" Hex Screw

CABINET
CC

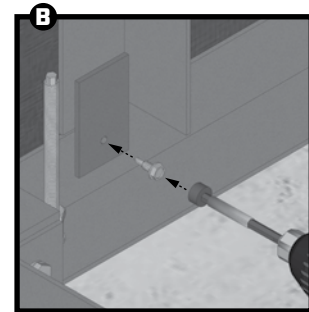
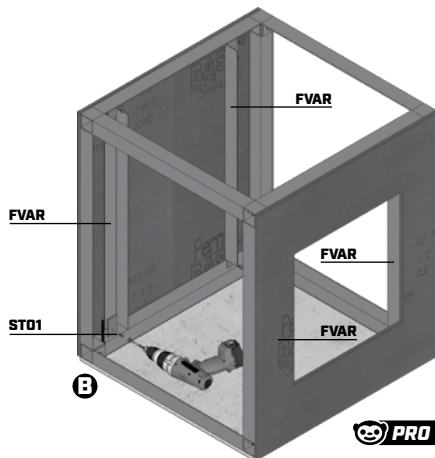
Install FVAR (1) and connect to CS on either side of CC.



Use **ST01** to fasten **FVAR** to the interior of the cabinet frame.

CABINET
FLBC

Use ST01 to fasten FVAR (4) to the inside of each FLBC Panel.



Use **ST01** to fasten **FVAR** to the interior of the cabinet frame.

PRO TIP ★

The FVARs on each FLBCP should mirror each other.

PRO TIP ★



Point your smart-phone camera at this QR code!

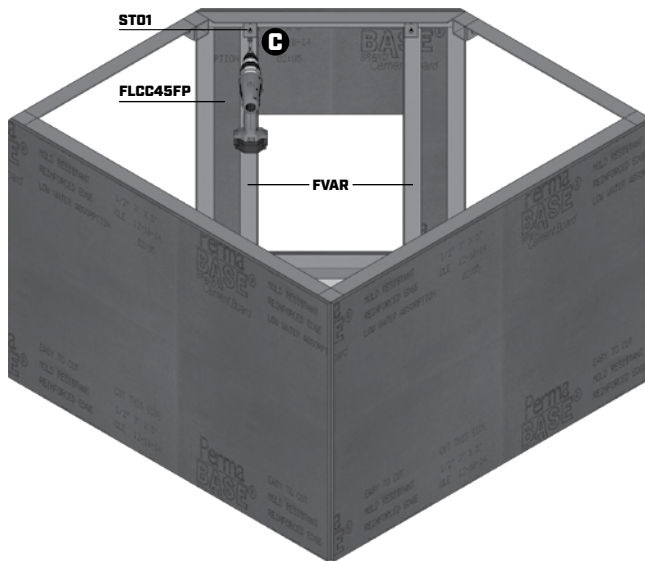
Monkey see, monkey do! Watch a product assembly video and read through these steps before you begin building your cabinet!

FULL VERTICAL ADJUSTABLE RAILS

FVAR Assembly

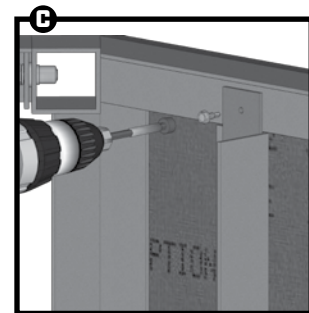
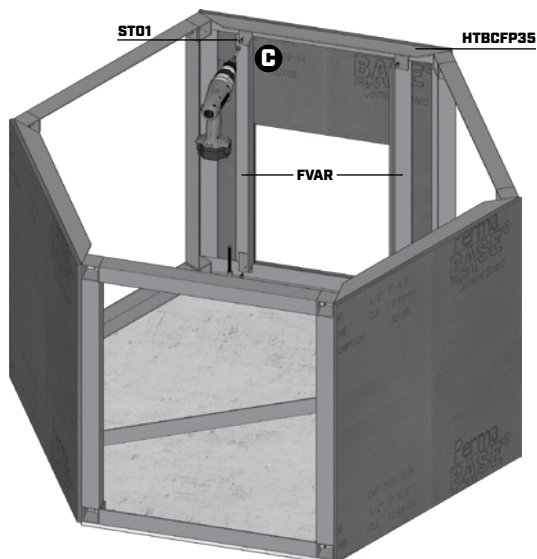
CABINET
FLCC45

Use **ST01** to fasten **FVAR** (2) to the inside of the **FLCC45** Front Panel (**FLCC45FP**) with the optional cutout.



CABINET
HTBC

Use **ST01** to fasten **FVAR** (2) to the inside of the **HTBC** Front Panel (**HTBCFP35**) with the optional cutout.



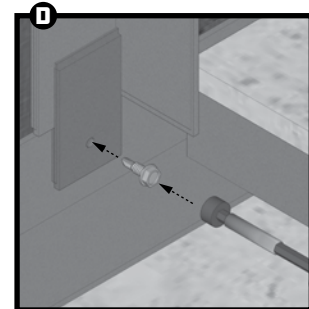
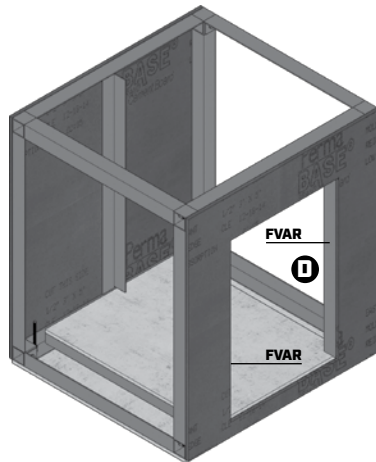
Use **ST01** to fasten **FVAR** to the interior of the cabinet frame.

FULL VERTICAL ADJUSTABLE RAILS

FVAR Assembly

CABINET
SBC

Use **ST01** to fasten **FVAR** (2)
to the inside of **SBC Front Panel** (**SBCFP32**).



Use **ST01** to fasten **FVAR** to the
interior of **SBCFP32**.

From everyone at **GRILLNETICS**,

Thank you!

HORIZONTAL ADJUSTABLE RAIL

Product Guide for All HAR Models

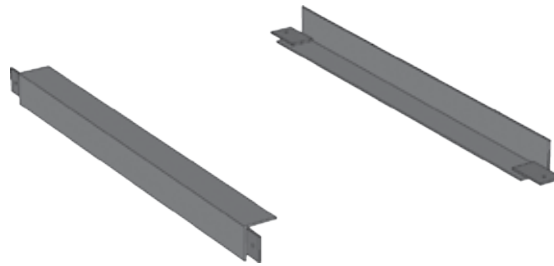


R061120_12:28

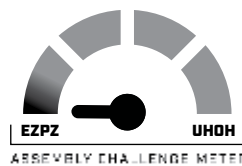


User safety depends on correct assembly!

This product guide contains important information for correct assembly. Always use proper safety methods and equipment to avoid injury and ensure product performance. *If you have questions or need support call 1-855-906-3858 M-F 8am-5pm MST.*



HAR-29 Model Shown



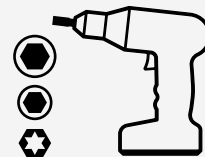
SUGGESTED TOOLS



SAFETY GLASSES



WORK GLOVES



POWER DRILL + 5/16", 1/4" HEX BITS + T25 BIT (INCLUDED)

@2020 GRILLNETICS, LLC

HORIZONTAL ADJUSTABLE RAIL

Product Guide for All HAR Models

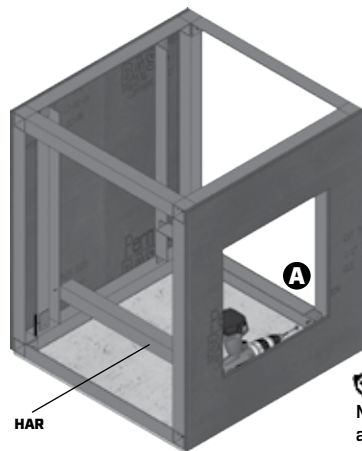


Check that you have all the listed parts. If any parts are missing **STOP** assembly and call 1-855-906-3858.



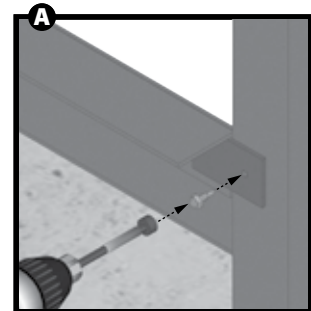
CABINET
FLBC

Use STO1 to fasten HAR to FVAR.



PRO TIP +

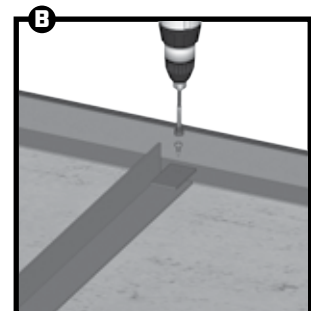
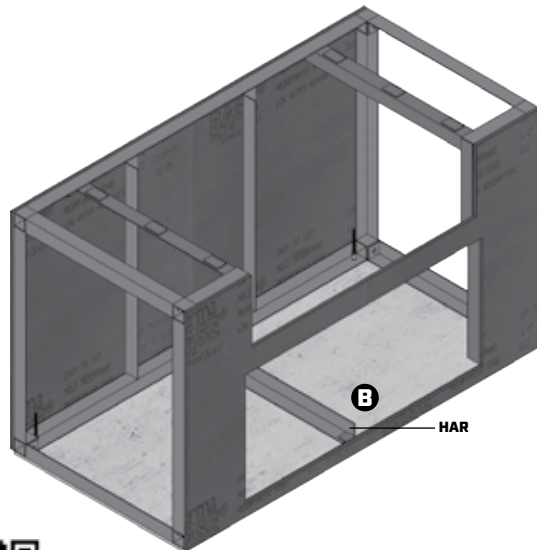
Make sure the HAR supports are level and flush with the cutout.



Use **STO1** to fasten **HAR** to **FVAR**.

CABINET
GC

If installing an enclosed component, drawer, or door/drawer combo, use HAR (1) with STO1 to provide support.



Use **STO1** to connect **HAR** supports to inside bottom of front/back panels.

PRO TIP +



Point your smart-phone camera at this QR code!

Monkey see, monkey do! Watch a product assembly video and read through these steps before you begin building your cabinet!

From everyone at **GRILLNETICS**,
Thank you!

DROP BASE CABINET VERTICAL ADJUSTABLE RAILS

Product Guide for All **DBC-VAR** Models

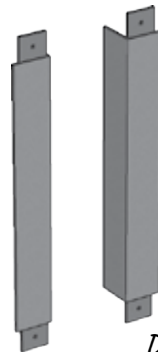


R060320

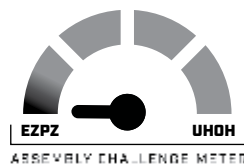


User safety depends on correct assembly!

This product guide contains important information for correct assembly. Always use proper safety methods and equipment to avoid injury and ensure product performance. *If you have questions or need support call 1-855-906-3858 M-F 8am-5pm MST.*



DBC-VAR-18 Model Shown



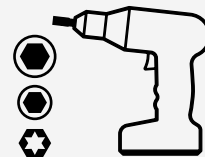
SUGGESTED TOOLS



SAFETY GLASSES



WORK GLOVES



POWER DRILL + 5/16", 1/4" HEX BITS + T25 BIT (INCLUDED)

@2020 GRILLNETICS, LLC

DROP BASE CABINET VERTICAL ADJUSTABLE RAILS

Product Guide for All **DBC-VAR** Models



Check that you have all the listed parts. If any parts are missing **STOP** assembly and call 1-855-906-3858.



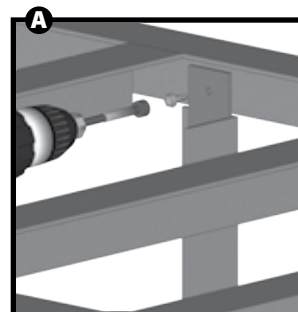
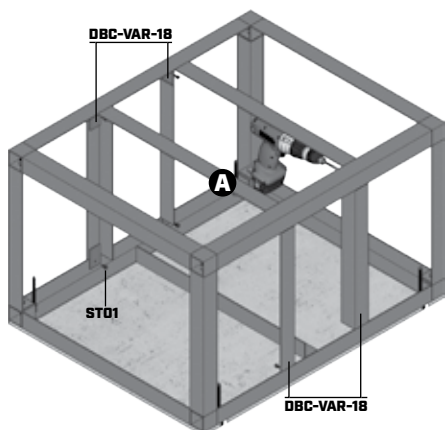
DBC-VAR-## x1
DBC Specific Vertical Adjustable Rail



ST01 x15
5/16" Hex Screw

CABINET
DBC

Attach DBC-VAR-18 (4) to the interior of DBCPT36 and DBCPB36. The space between DBC-VAR-18 and CS should be evenly divided into thirds.



Use **ST01** to fasten **DBC-VAR-18** to the interior of the cabinet frame.

PRO TIP ★



Point your smart-phone camera at this QR code!

Monkey see, monkey do! Watch a product assembly video and read through these steps before you begin building your cabinet!

From everyone at **GRILLNETICS**,
Thank you!

WARRANTY

Subject to the terms and conditions of this “Limited Lifetime Warranty,” GRILLNETICS, LLC extends this Limited Lifetime Warranty against manufacturing defects for its “Products” that are installed in a residential, single family application for personal, family, or household purposes under normal use and maintenance in the United States and Canada [“Household Use”]. To maximize the available benefits under this Limited Lifetime Warranty, the Purchaser (defined below) should read this entire Limited Lifetime Warranty. All repairs of Products (including any component of a Product) must be made with materials authorized by GRILLNETICS.

How long is the Limited Lifetime Warranty? This Limited Lifetime Warranty period never expires.

Who is Covered? This Limited Lifetime Warranty is provided to the original owner (“Purchaser”) of the residence or location where the Product is originally installed. This Limited Lifetime Warranty is nontransferable.

What will GRILLNETICS do? As GRILLNETICS sole responsibility and Purchaser’s only remedy, GRILLNETICS will furnish a replacement Product (or component) without charge that fails due to a manufacturing defect under normal use and maintenance. The Purchaser must pay for shipping, labor, and other costs or servicing or installing the replacement Product. If a Product is not available, GRILLNETICS will (at its option) provide a free suitable substitute or provide a credit in the amount of the then factory selling price for a new, suitable substitute Product or component to be used by the Purchaser towards the retail purchase price of a new Company Product. Any new Product purchase is at the Purchaser’s sole cost and expense including, but not limited to, shipping, removal, and installation costs.

Eligibility Requirements. The following items are required in order for Product to be covered under this Limited Lifetime Warranty:

1. The Products must be in the same location where they were originally installed.
2. The Products must be properly installed in accordance with the Product specifications and instructions provided by GRILLNETICS for each Product. Failure to conform to such specifications or instructions voids this Limited Lifetime Warranty.
3. The Purchaser must (1) contact GRILLNETICS within the term of this Limited Lifetime Warranty and request a warranty replacement, (2) provide satisfactory proof of purchase and installation, (3) evidence of a manufacturing defect, including photographs, as GRILLNETICS may request, and (4) return defective Products to GRILLNETICS at its request.

Exclusions. The following are not covered by this Limited Lifetime Warranty:

Labor costs associated with inspecting, repairing, removing, or reinstalling Products.

Shipping and freight expenses to ship Products to GRILLNETICS or replacement Product to Purchaser.

1. Failures, defects, or damage (including any loss of property) caused by (1) any third party product, service, or system connected to or used in conjunction with the Products; (2) any use not designed or intended for the Products; (3) modification (other than permitted by the Product documentation), alteration, misuse, negligence, or accident; (4) improper storage, installation, maintenance or operation; (5) any use in violation of written instructions or specification provided by GRILLNETICS; (6) any act of God, including fire, water, storms, lightning, or earthquakes; or (7) any theft or riots.

WARRANTY

2. Any product manufactured by, or service provided by, a third party, even if that product or service was purchased through GRILLNETICS or its affiliates.

THIS LIMITED LIFETIME WARRANTY AND LIABILITY SET FOR HEREIN ARE IN LIEU OF ALL OTHER WARRANTIES AND LIABILITIES, WHETHER IN CONTRACT OR IN NEGLIGENCE, EXPRESSED OR IMPLIED, IN LAW OR IN FACT. THE IMPLIED WARRANTIES OR MERCHANTABILITY AND FITNESS FOR A PARTICULAR PURPOSE ARE LIMITED TO THE DURATION OF THIS LIMITED WARRANTY. GRILLNETICS DOES NOT AUTHORIZE ANY PERSON TO CREATE FOR GRILLNETICS ANY OBLIGATION BEYOND THAT EXPRESSLY SET OUT IN THIS LIMITED WARRANTY.

GRILLNETICS SHALL NOT BE LIABLE FOR ANY INCIDENTAL, CONSEQUENTIAL, INDIRECT, SPECIAL, OR PUNITIVE DAMAGES, WHETHER BASED IN CONTRACT, WARRANTY, TORT (INCLUDING STRICT LIABILITY OR NEGLIGENCE), OR OTHERWISE, EVEN IF GRILLNETICS IS ADVISED OF THE POSSIBILITY OF SUCH DAMAGES. GRILLNETICS MAXIMUM LIABILITY HEREUNDER IS LIMITED TO THE ORIGINAL PURCHASE PRICE OF THE PRODUCT.

No action arising out of any claimed breach of this Limited Lifetime Warranty may be brought more than one year after the earlier of [1] when cause of action arose or [2] when the Purchaser knew or should have known of the cause of action.

The exclusive venue for all claims under this Limited Lifetime Warranty is in Larimer County, Colorado.

This Limited Lifetime Warranty gives you specific legal rights, and you may have other rights as otherwise permitted by law.

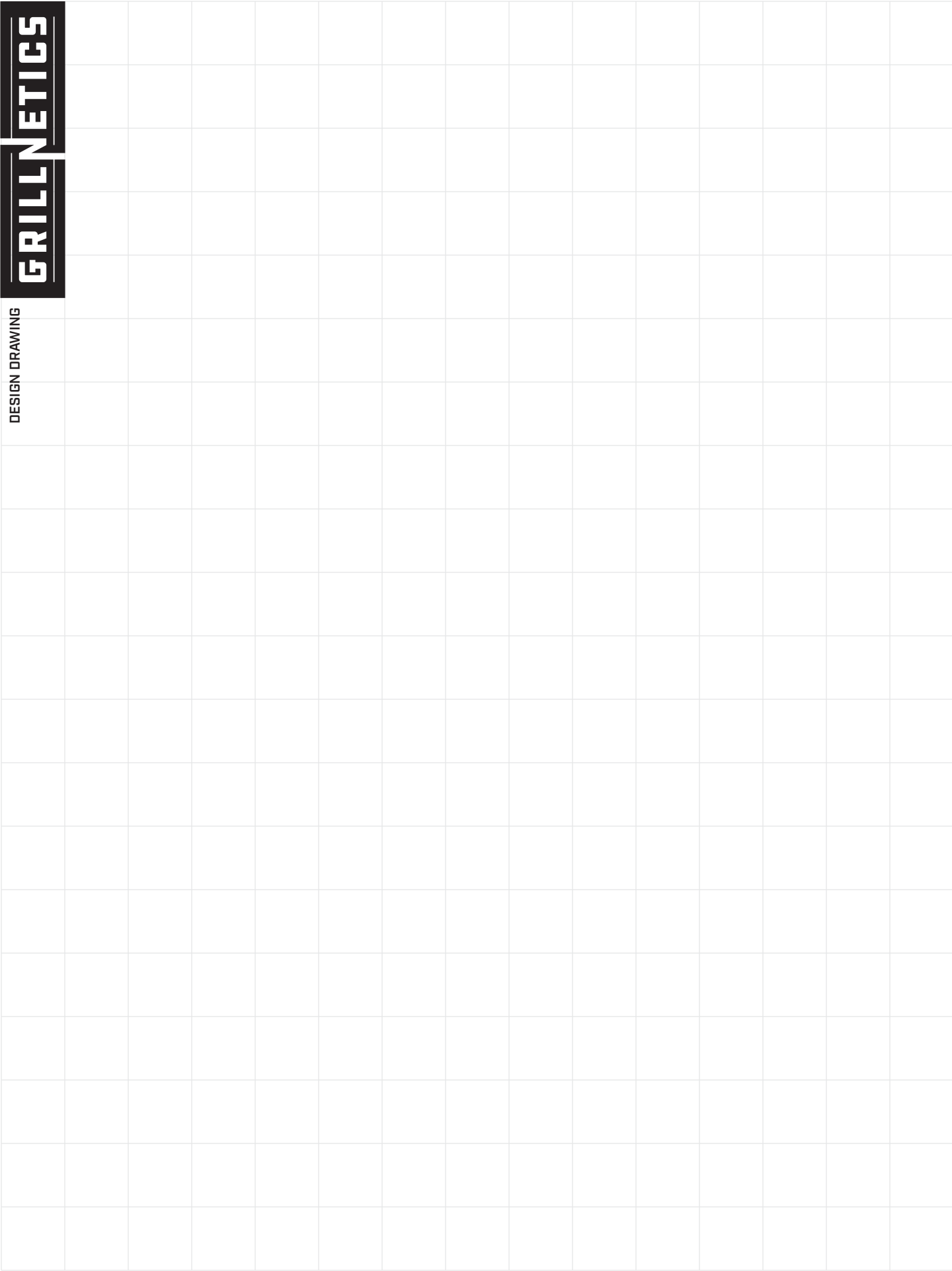
This Limited Lifetime Warranty applies to Products manufactured by GRILLNETICS on or after July 1, 2018. If you have a warranty claim or question, contact GRILLNETICS at:

GRILLNETICS, LLC
4760 Three Bell Parkway
Fort Collins, CO 80547
1-855-906-3858
customerservice@grillnetics.com

®

GRILLNETICS

DESIGN DRAWING



INDEX

B

- BC / Base Cabinet — 3-1
 - Assembly — 3-3
 - Parts — 3-2
- BFC / Back Frame with Cladding — 6-1
 - Parts & Assembly — 6-2
- BONUS: Project Starter — B-1
- BS / Backsplash — 15-1
 - Parts & Assembly — 15-2

C

- CC-BS / Corner Cabinet Backsplash — 16-1
 - Assembly — 16-3
 - Parts — 16-2
- CC / Corner Cabinet — 7-1
 - Assembly — 7-3
 - Parts — 7-2

D

- DBC-BS / Drop Base Cabinet Backsplash — 14-1
 - Parts & Assembly — 14-2
- DBC / Drop Base Cabinet — 13-1
 - Assembly — 13-3
 - Parts — 13-2
- DBC-VAR / Drop Base Cabinet Vertical Adjustable Rail — 24-1
 - Parts & Assembly — 24-2

E

- ECK / End Clad Kit — 4-1
 - Assembly — 4-3
 - Parts — 4-2

F

- FLBC / Front Load Base Cabinet — 2-1
 - Assembly — 2-3
 - Parts — 2-2
- FLCC45-BS / Front Load Corner Cabinet Backsplash — 18-1
 - Assembly — 18-3
 - Parts — 18-2
- FLCC45 / Front Load Corner Cabinet with 45° Ends — 11-1
 - Assembly — 11-4
 - Parts — 11-2
- FVAR / Full Vertical Adjustable Rails — 22-1
 - Parts & Assembly — 22-2

G

- GC / Grill Cabinet — 1-1
 - Assembly — 1-3
 - Parts — 1-2
- GC-GSA / Grill Cabinet Grill Support Arms — 20-1
 - Parts & Assembly — 20-2
- GC-VAR / Grill Cabinet Vertical Adjustable Rails — 21-1
 - Parts & Assembly — 21-2

H

- HAR / Horizontal Adjustable Rails — 23-1
 - Parts & Assembly — 23-2
- HTBC / Hexagonal Table Base Cabinet — 12-1
 - Assembly — 12-4
 - Parts — 12-2

S

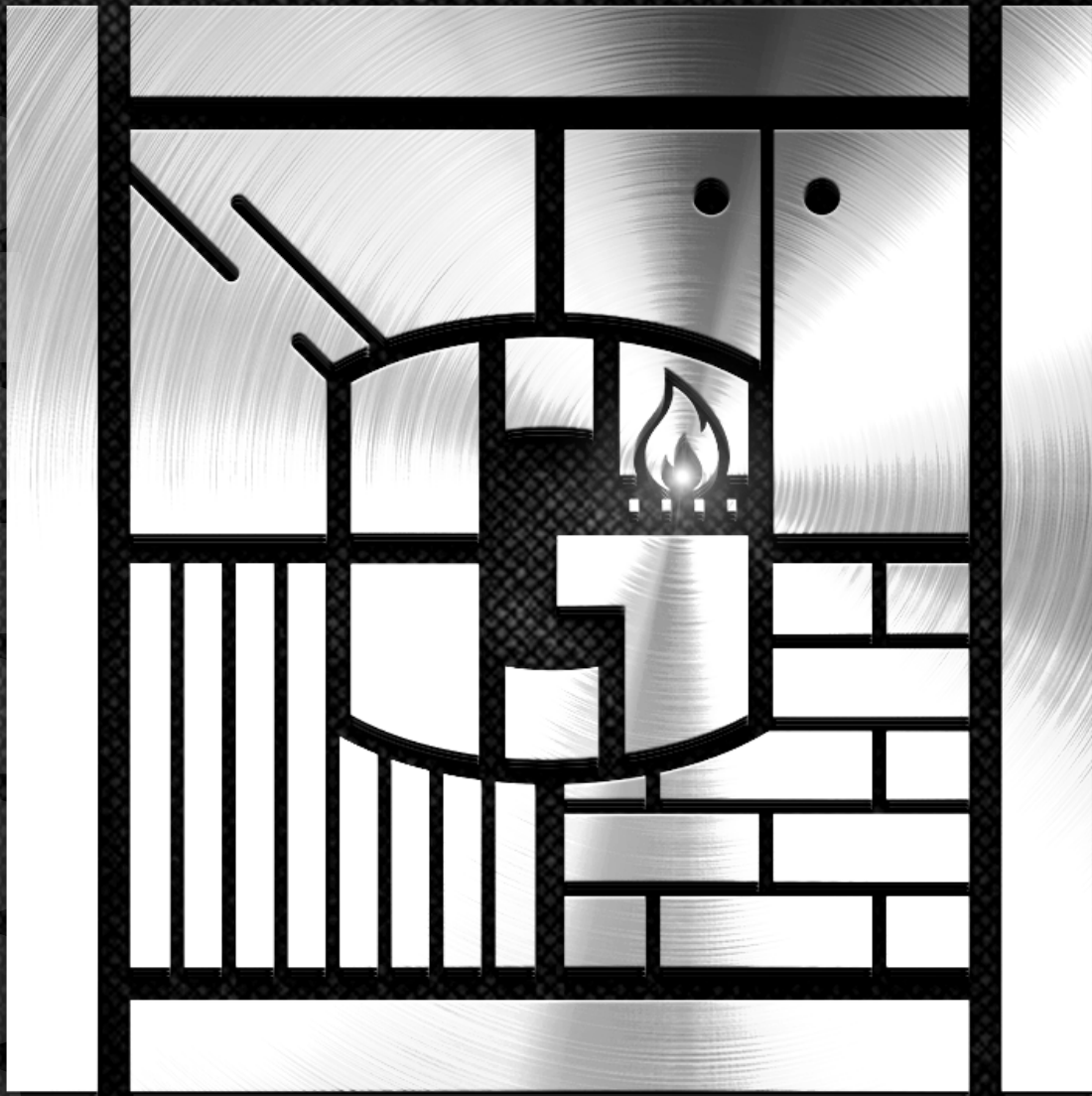
- SBC-BS / Small Beverage Cooler Backsplash — 19-1
 - Parts & Assembly — 19-2
- SBC / Small Beverage Cooler Cabinet — 5-1
 - Assembly — 5-3
 - Parts — 5-2

W

- Warranty — W-1
- WBC-BS / Wedge Base Cabinet Backsplash — 17-1
 - Assembly — 17-3
 - Parts — 17-2
- WBC-L / Wedge Base Cabinet Left — 9-1
 - Assembly — 9-3
 - Parts — 9-2
- WBC-R / Wedge Base Cabinet Right — 10-1
 - Assembly — 10-3
 - Parts — 10-2
- WBC / Wedge Base Cabinets — 8-1



MAKE IT EASY



GRILLNETICS

OUTDOOR CABINETRY + GRILLS + DESIGN

40.5853° N, 105.0844° W