



RT-1250



— Assembly Manual —



WARNING

FOR OUTDOOR USE

ONLY



DO NOT STORE OR USE COMBUSTIBLE MATERIALS
IN OR NEAR THIS APPLIANCE.

TO PREVENT INJURY, NEVER ATTEMPT TO MOVE
GRILL WHILE HOT OR WITHOUT ASSISTANCE.

NEVER STORE ANY GRILL IN A SMALL SPACE OR
PLACE IN A VEHICLE UNLESS COMPLETELY COOL
AND FIRE IS VERIFIED AS EXTINGUISHED.

LEAVE A MINIMUM OF 60" CIRCUMFERENCE
BETWEEN GRILL, DECKS, HOUSES OR ANY
COMBUSTIBLE MATERIALS.

USE ON LEVEL GROUND AWAY FROM
OVERHANGING ROOFS OR LEAVES.

IMPORTANT SAFETY INFORMATION

Warning: Read all safety information before operating grill.

For outdoor use only. Do not use in any enclosed area. Use on level surface, away from overhanging easements.

Keep grill 60" or more from any combustible surface.

Do not put anything flammable on the bottom shelf under the grill.

Never plug in your RT-1250 without the service access grate underneath your controller installed.

Never put your grill in a vehicle without first ensuring that it is completely cool and that no hot embers, pellets, or ashes remain in the firepot or auger.

Occasionally, your RT-1250 should be checked for fire pot obstructions to make sure proper airflow is maintained. See cleaning instructions in this manual for proper procedures.

Your RT-1250 gets very hot; keep young children and animals away while in use. Use extreme caution when cooking at high temperatures.

Use heat-resistant barbecue mitts or gloves when operating this unit. Long handled, non-plastic utensils are also recommended.

Do not touch cooking chamber or attempt to move your RT-1250 while operating or while the grill is hot. Make sure the fire is completely out and that the grill is completely cool before transporting the grill. Before covering your grill, make sure that the grill has cooled completely.

Never put your hand in the pellet hopper or attempt to service any part of your RT-1250 while your grill is plugged in.

RT-1250

Assembly Manual and Users Guide

Congratulations on the purchase of your new **RT-1250 Wood Pellet Grill**. With proper care and maintenance, your grill will provide you years of trouble-free operation. Please review the following information carefully for useful tips and information that will help you utilize your grill's extensive features and benefits.

To see our favorite recipes and cooking tips, visit **recteq.com**. As you become familiar with your recteq, you will find that indoor cooking becomes the exception and not the rule in your house. With the ability to easily cook foods to standards that meet or exceed restaurant quality, you will find yourself not wanting to go to restaurants and pay for food that does not live up to the recteq standard of flavor. Also, don't be alarmed when your neighbors call and ask if you will 'recteq' some meat for them...This is a common occurrence among recteq owners.

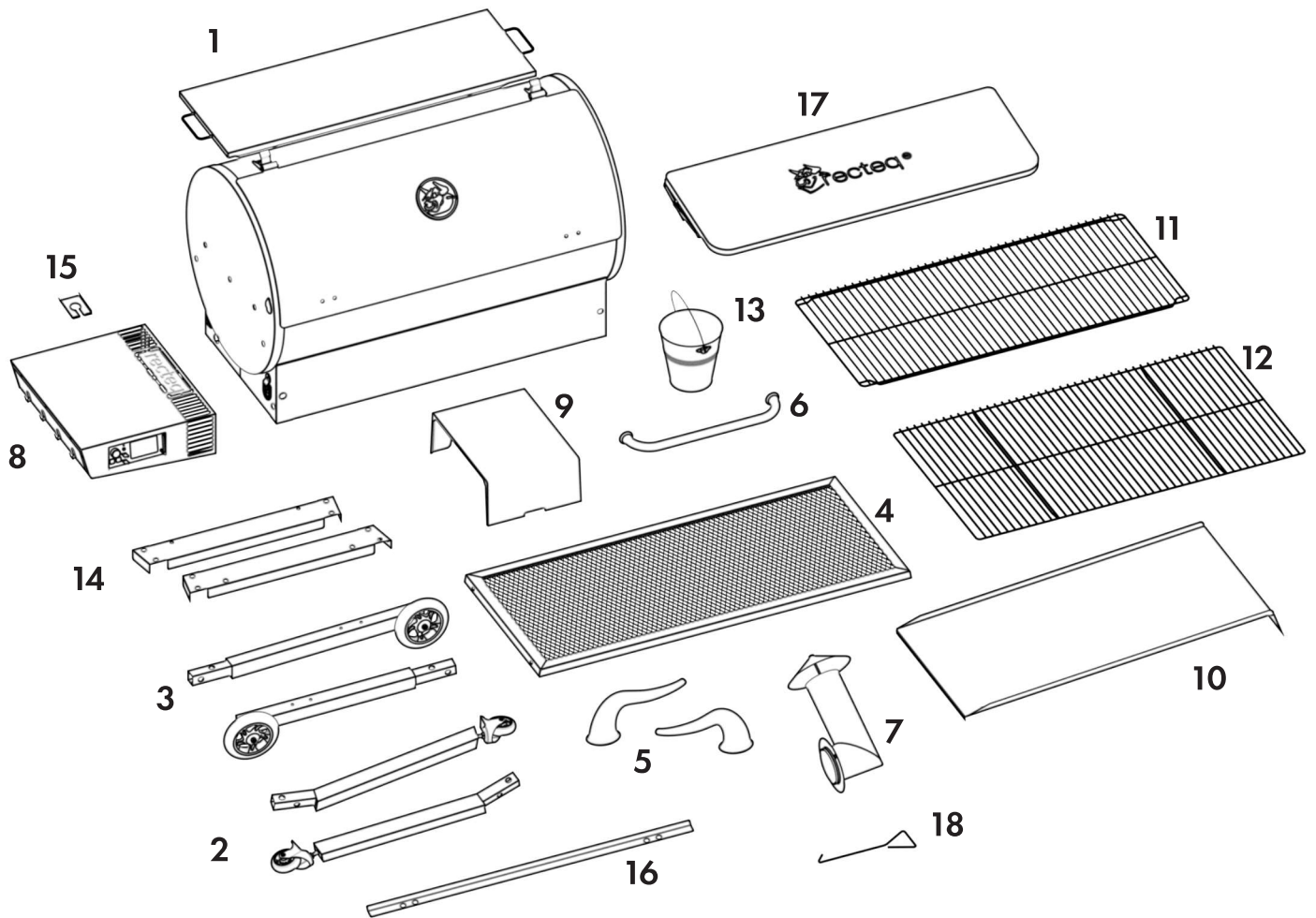
We want you to join the vibrant and growing community of recteq owners. Whether you want to contribute your own tips and recipes, learn from others, or a bit of both, please jump right in. You now have an incredible tool for cooking. Let's see how you use it!

Thank you for choosing recteq.

Ray Carnes & Ron Cundy
Co-Founders, recteq, LLC



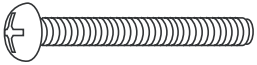
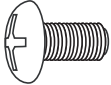
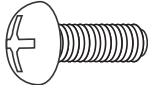
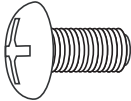
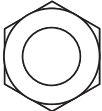

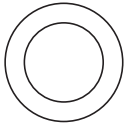


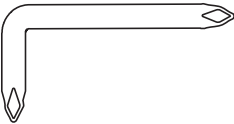
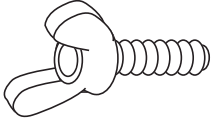
RT-1250 Contents



1. Grill Body
2. Caster Wheel Legs x2
3. Fixed Wheel Legs x2
4. Bottom Shelf
5. Bull Horn Handles x2
6. Large Pull Bar Handle
7. Smokestack
8. Side Shelf with Controller
9. Heat Deflector
10. Drip Pan

11. Top Cooking Grate
12. Bottom Cooking Grate
13. Drip Bucket
14. Leg Support Brackets x2
15. Wiring Harness Access Plate
16. Lid Sweep
17. Front Folding Shelf
18. Grate Hook
19. Temperature Probes x2 (not pictured)
20. Hardware Packet (not pictured)

RT-1250 Hardware

Hardware	Specs	Steps Used	Illustration
Long bolts used to mount legs.	M10 x 1.5 Length: 2in. Quantity: 8	2, 3	
Short bolts used to mount brackets to legs.	M6 x 1.0 Length: 1/2in. Quantity: 8	4	
Short bolts used to mount shelf to leg brackets.	M6 x 1.0 Length: 3/4in. Quantity: 4	5	
Medium bolts used to mount side shelf and smokestack.	M10 x 1.5 Length: 1in. Quantity: 6	7, 12	
Nut used for leg bolts, side shelf, and smokestack.	M10 x 1.5 Quantity: 14	2, 3, 7, 12	
Lock washers used for legs, side shelf, smokestack.	3/4in. diameter Quantity: 14	2, 3, 7, 12	
Flat washers used for leg bolts, side shelf, and smokestack.	3/4in. diameter Quantity: 14 (Extra hardware may be included)	2, 3, 7, 12	
Flat washers used for bottom shelf/leg bracket bolts.	1/2in. diameter Quantity: 12	4, 5	
Lock washers used for bottom shelf/leg brackets bolts.	3/8in. diameter Quantity: 12	4, 5	
Phillips head angled screwdriver provided.			
Thumb screw		9	

RT-1250 Assembly

Step 1 Unpack and Prepare for Assembly

With assistance, remove all items from inside grill body and lay grill body on its back.

Tip: Flatten the cardboard box out and lay everything on it. This serves as a good working area and it helps prevent the grill from getting scratched or damaged during installation.

If you purchased a competition cart, please proceed to page 16.

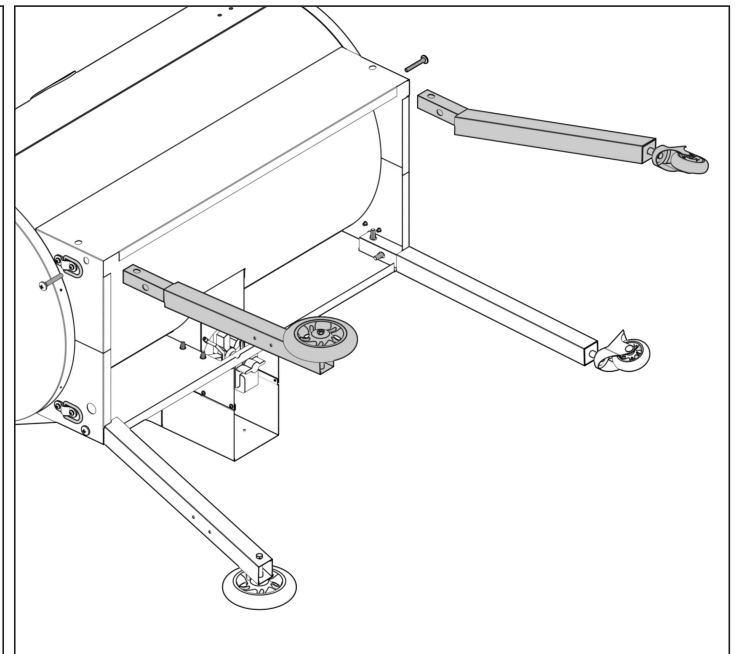
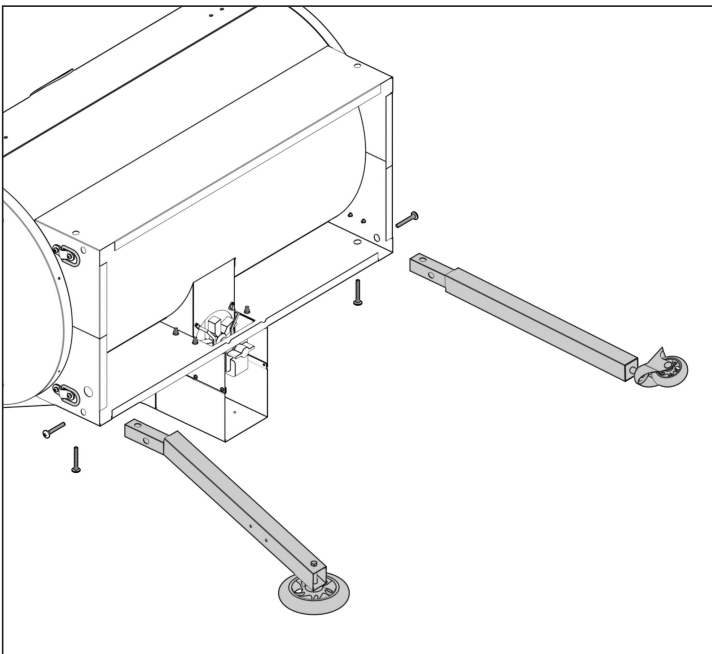
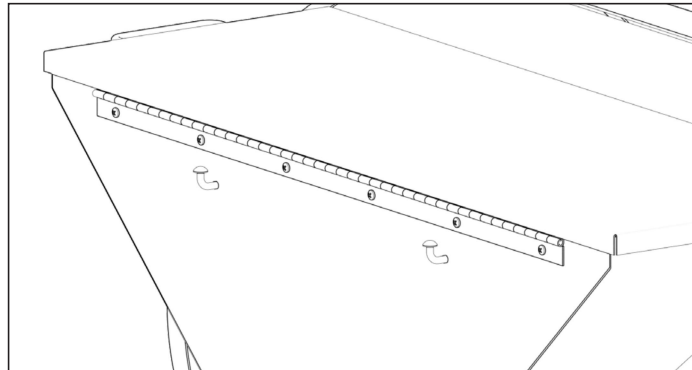
Step 2 Flip Grill and Attach Legs

Start with grill on its backside. **Use packaging styrofoam to protect the hooks from breaking off on the back of the hopper before laying grill on its back.**

On the left side, attach the rear fixed wheel leg (3) with bracket holes facing outward from the grill.

Then on the right side, attach the rear caster wheel leg (2) with bracket holes facing outward from the grill.

Attach the front legs with just the side bolts. The front bolts will be used with both the shelf and legs.



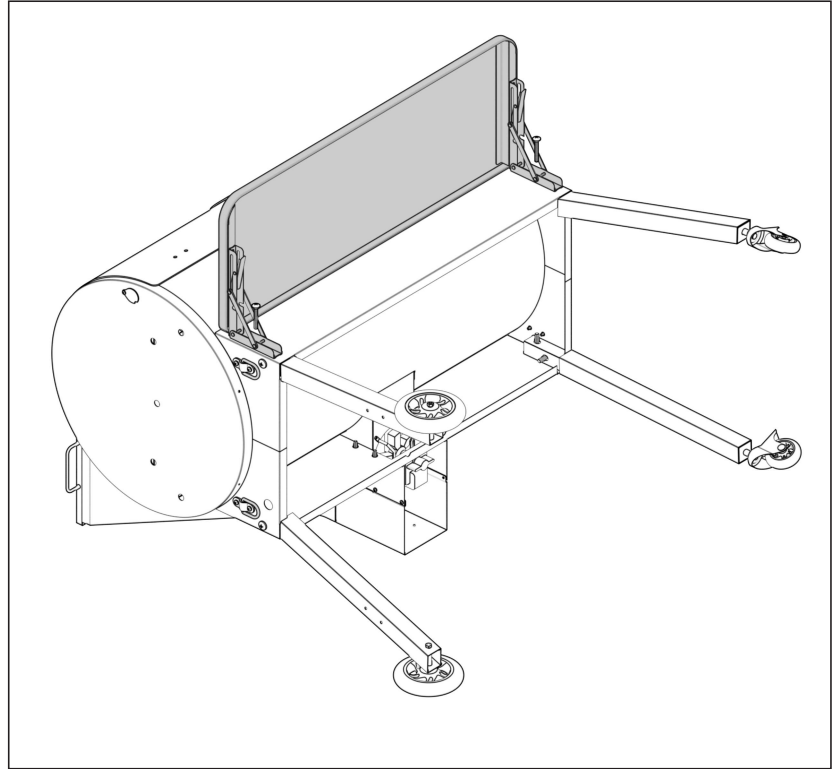
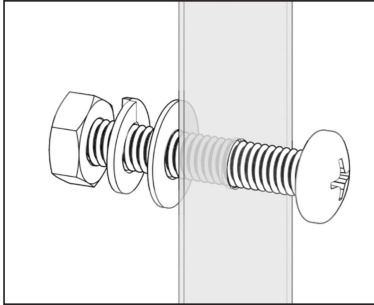
Step 3

Install Front Folding Shelf

Unfold the front shelf (17) using the finger releases so that it can be installed.

Using the two remaining leg bolts, attach the front folding shelf with the front legs.

Hand tighten with bolt assembly order pictured below.

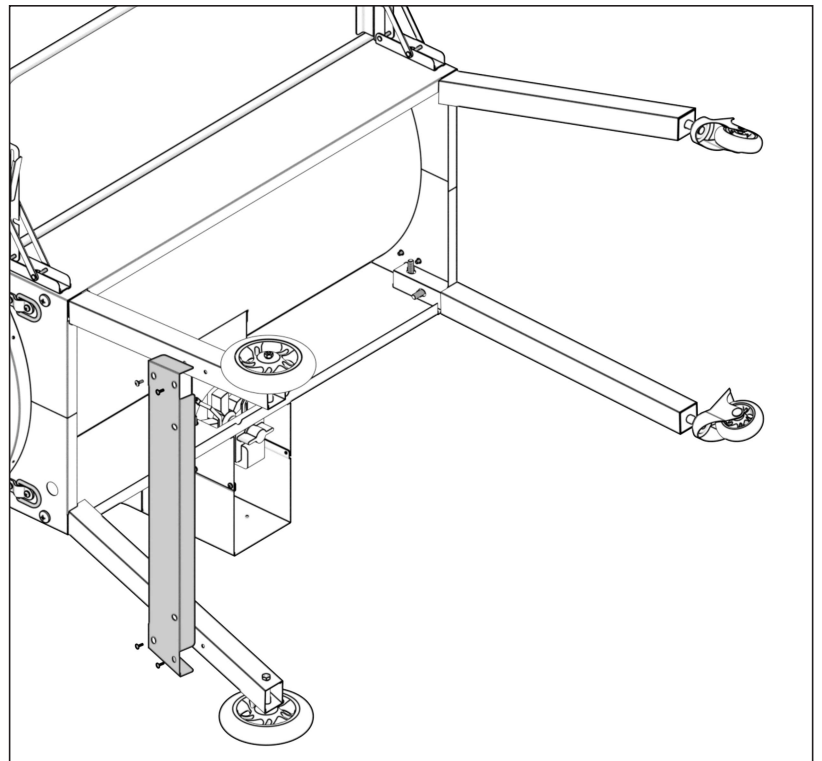
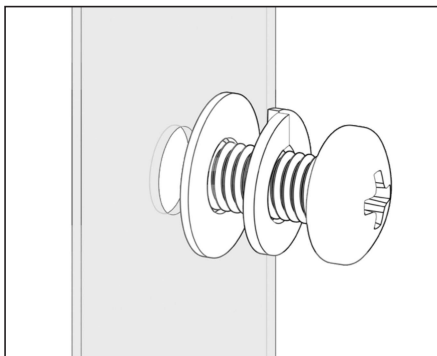


Step 4

Install Left Leg Support Bracket

Starting with the left side fixed wheel legs (3), attach left leg support bracket (14) to the outside of the legs so it wraps around them.

Hand tighten with bolt assembly order pictured below.

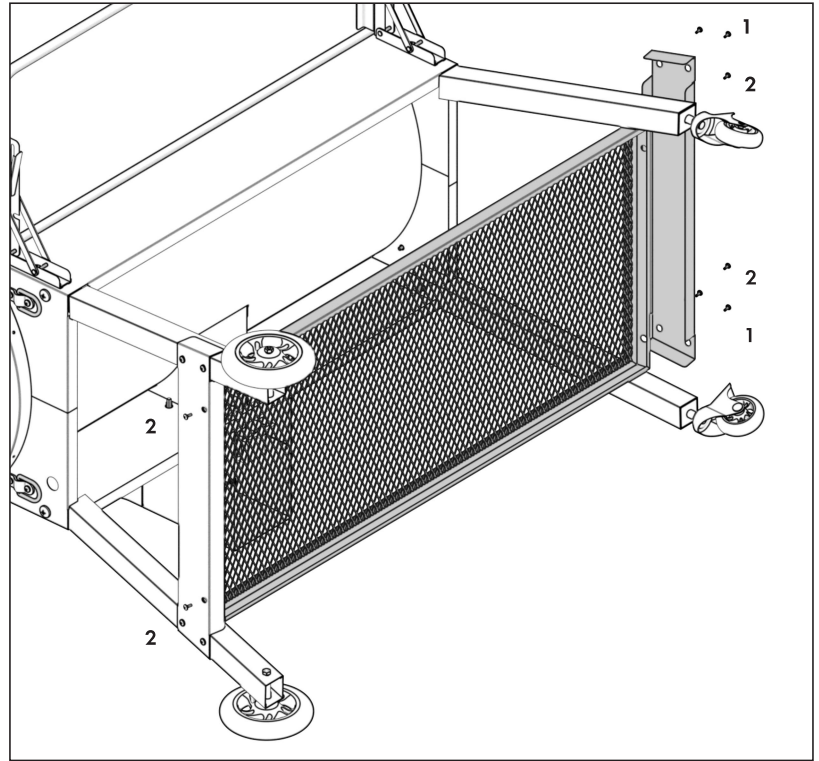
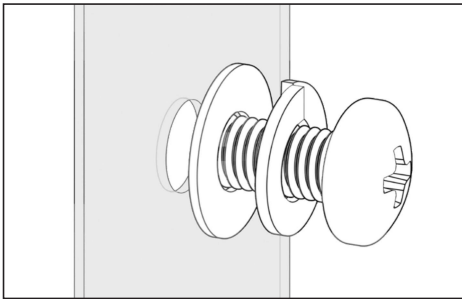


Step 5 Install Bottom Shelf and Right Leg Support Bracket

Insert bottom shelf (4) and secure it into place with the right leg support bracket.

1. For right leg support bracket (14), hand tighten with bolt assembly order.
2. For bottom shelf (4), hand tighten with bolt assembly order.

Note: Go back and tighten everything once the brackets are in place.



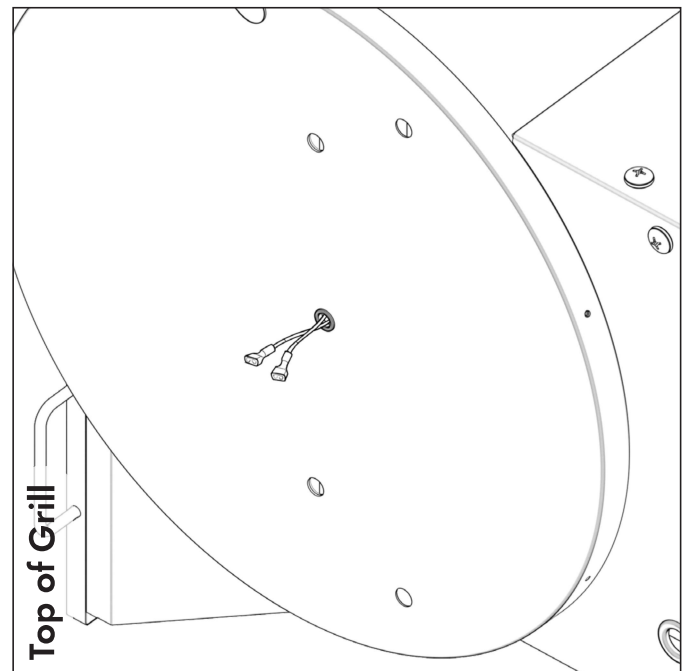
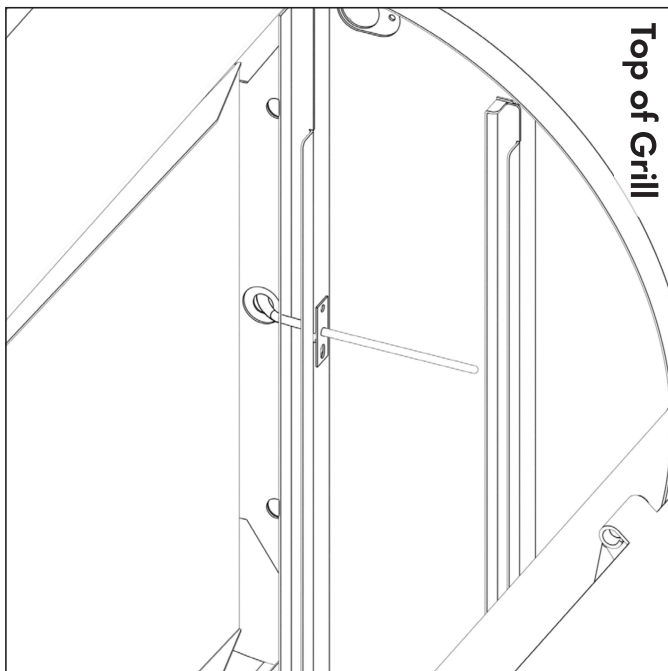
Step 6 Prepare for Side Shelf and Pull Bar Assembly

Remove and discard hex shipping bolts on left and right sides of grill body (1).

Hex bolts were used to ensure interior welds were supported during shipping.

Carefully open the lid on your grill and locate the RTD wires secured to the temperature sensor.

Feed the RTD wires through the grill body.



Step 7

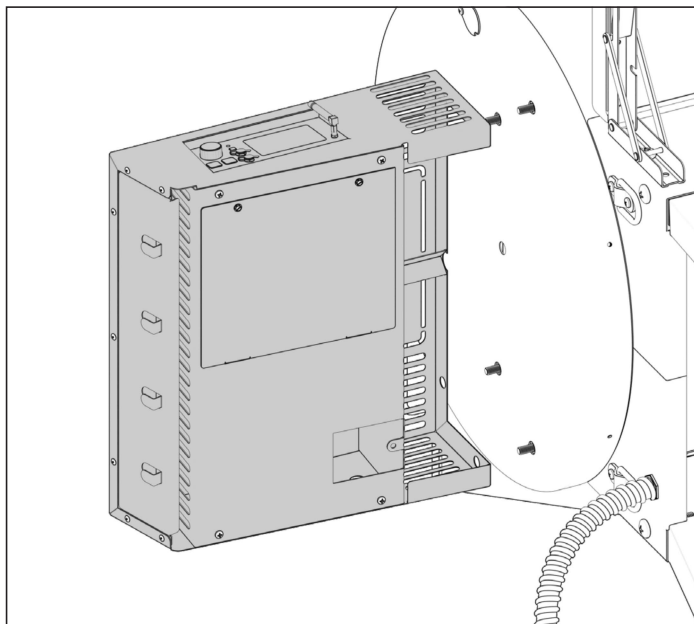
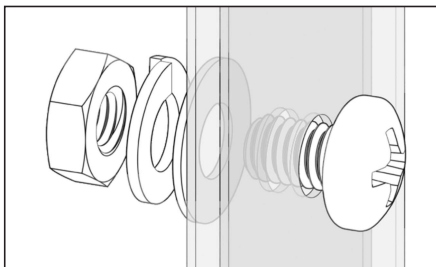
Install Side Shelf

With assistance, line up the side shelf with controller (8) against the exterior of grill body (1).

Follow bolt assembly order.

Tip: Begin with the bolt from the interior of the grill barrel using the bolt assembly order. This will give you easier assembly access with a Phillips head screwdriver for a more secure build.

Hand tighten until all screws are in place.



Step 8 Install RTD Wires to Smart Grill Technology™ Controller

Locate the access panel underneath the side shelf (8) and open it by removing the two screws. Feed the two white braided RTD wires inside through the grommet hole.

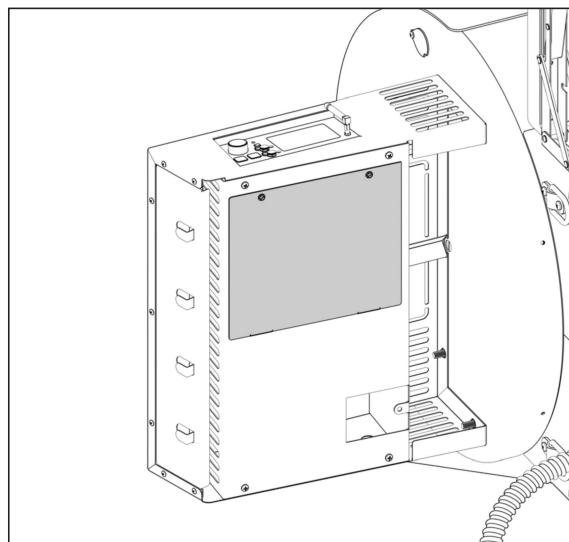
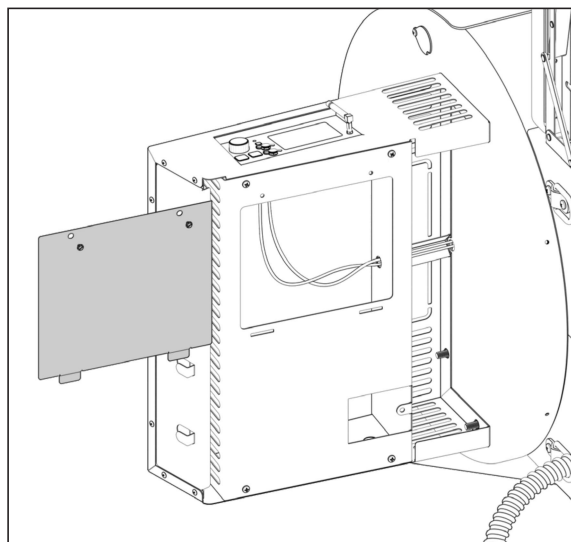
Plug the two white braided RTD wires onto the tabs labeled 'RTDpt1000' (wires can attach to either connector).

Slide them firmly onto the connectors and be careful to not touch any other parts of the circuit board.

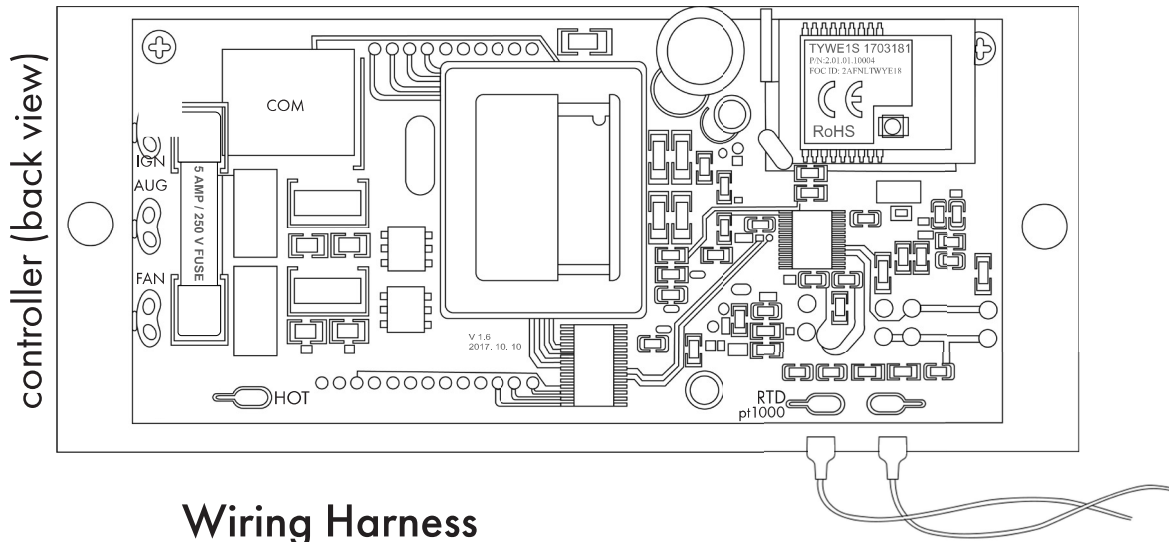
Replace the access door with the two screws.

Connect the wiring harness from under the Smart Grill Technology™ controller shelf to the grill body wiring harness.

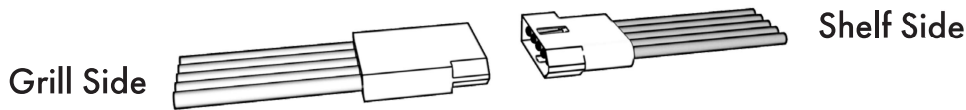
A guide to connecting the wires is on the following page.



Step 8 cont.



Wiring Harness

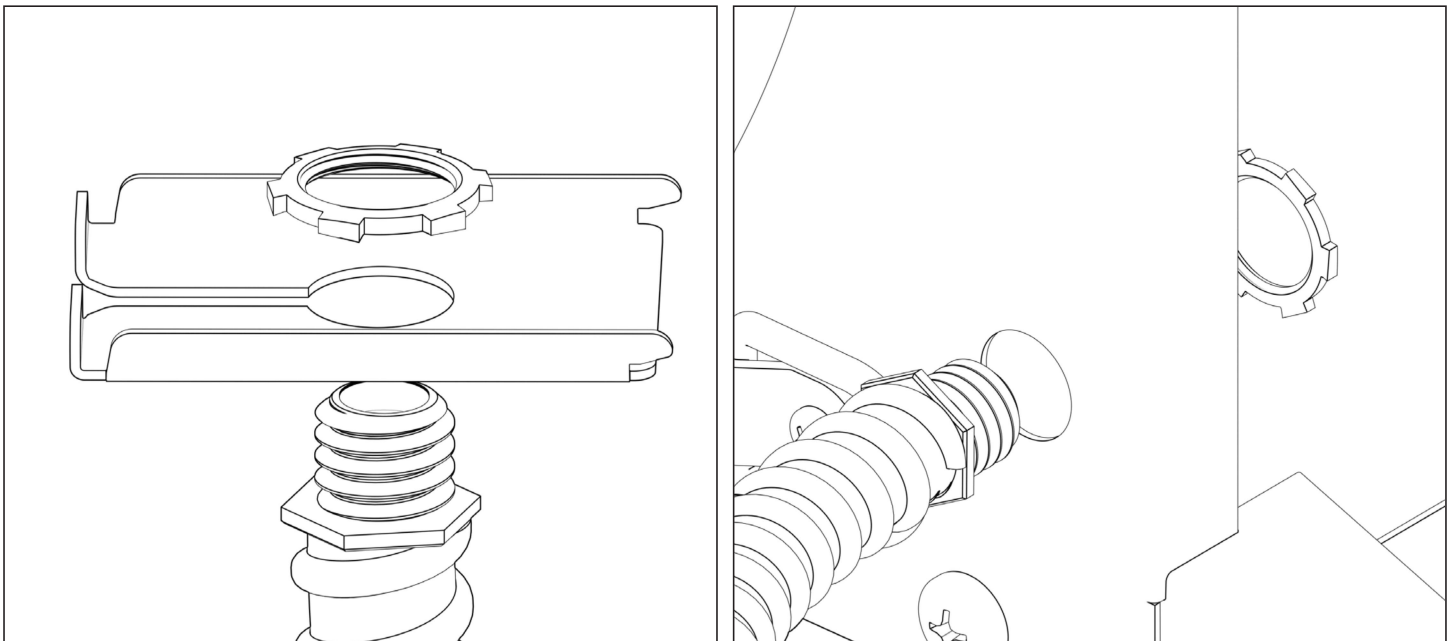


Step 9

Install Wire Housing

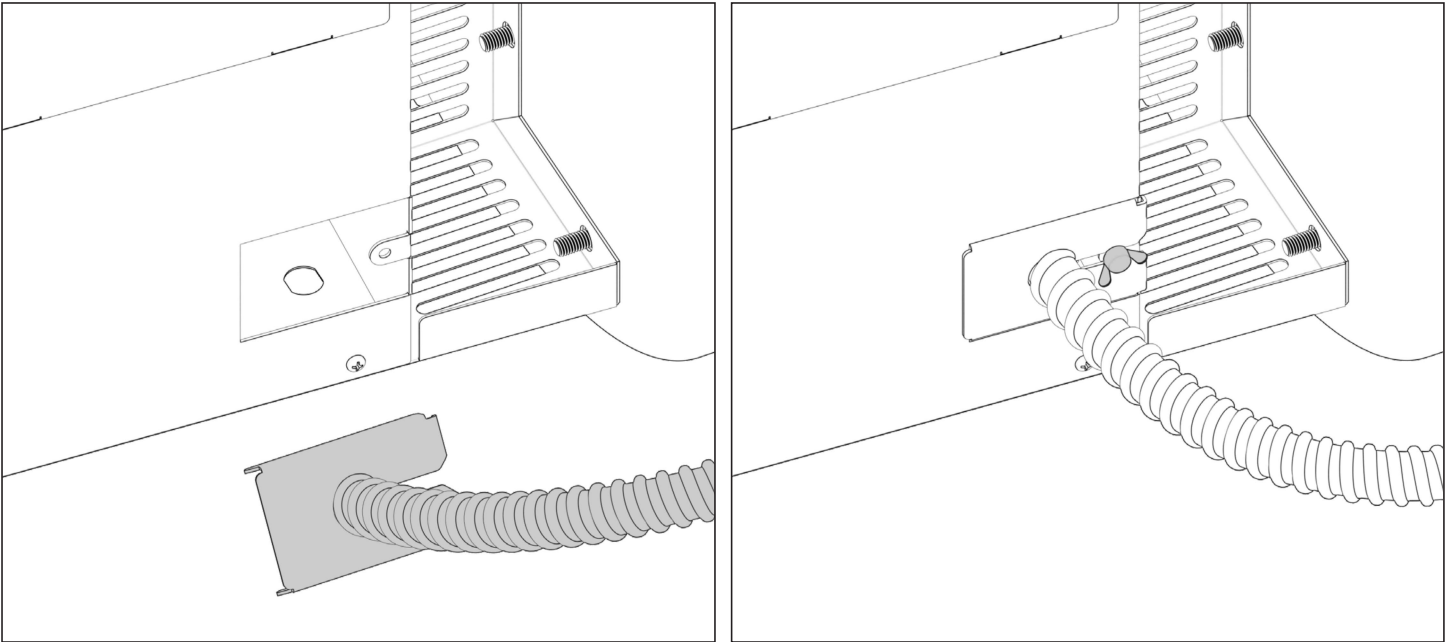
Take the wiring harness access plate (15) and wing nut out of packaging. Unscrew the conduit locknut from controller side. Slide wires through the slit in the plate and screw the locknut back down.

Screw down the locknut on the other end of the conduit to the grill body.



Step 9 cont.

Once the conduit is attached to the plate, insert the left side of the plate into the slot and tighten down the right side with the provided wing nut.

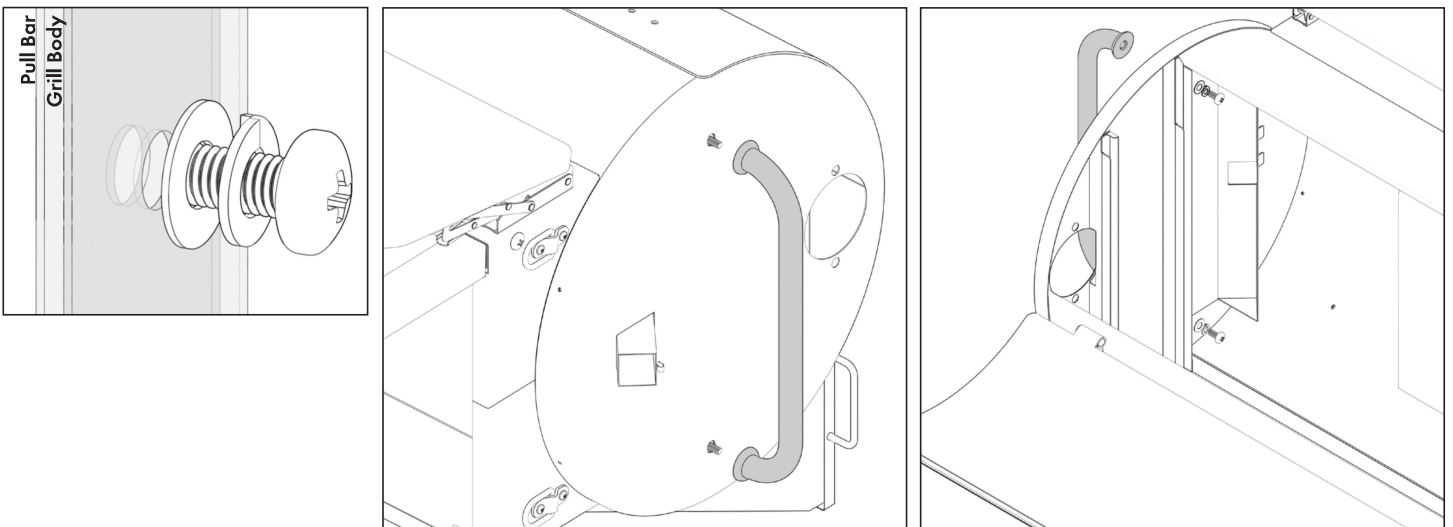


Step 10

Install Pull Bar Handle

Attach the pull bar handle (6) using the two bolts that are screwed into the handle. The beauty ring stays attached to the pull bar handle.

Hand tighten until all screws are in place.



Step 11

Stand Grill Upright

DO NOT ATTEMPT TO DO THIS STEP ALONE.

Lock caster wheels and stand grill upright.

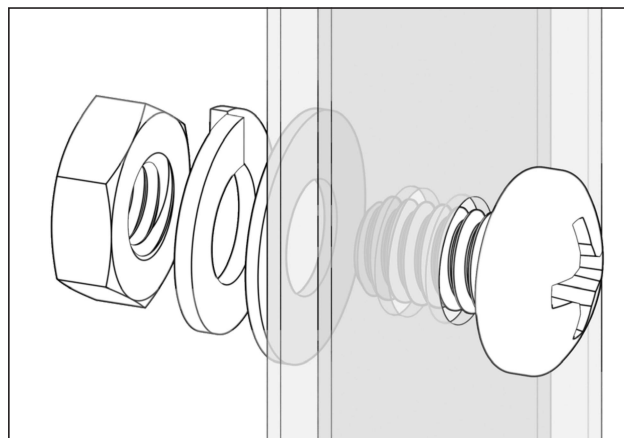
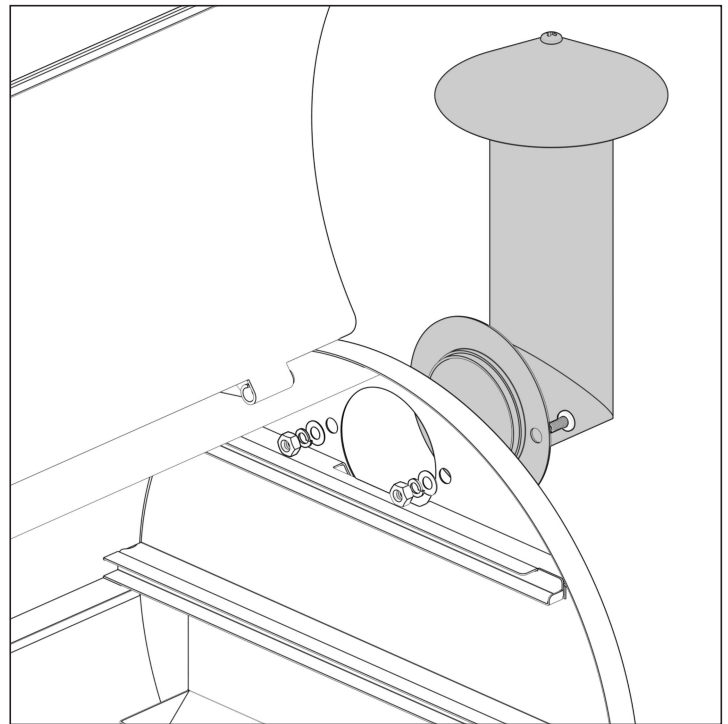
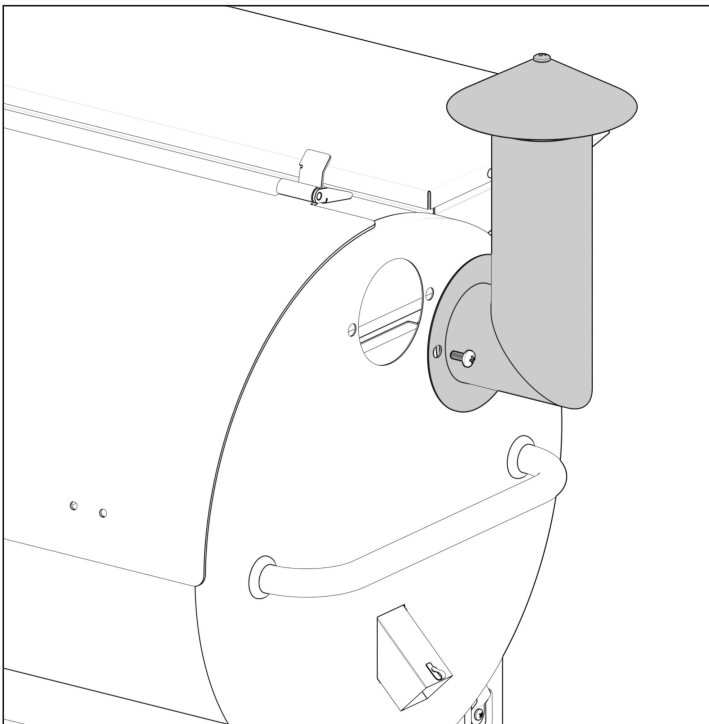
Two people will be required to stand the grill up as the grill is very heavy.

Step 12

Install Smokestack

Install the smokestack (7) using the provided hardware.

Follow bolt assembly order.



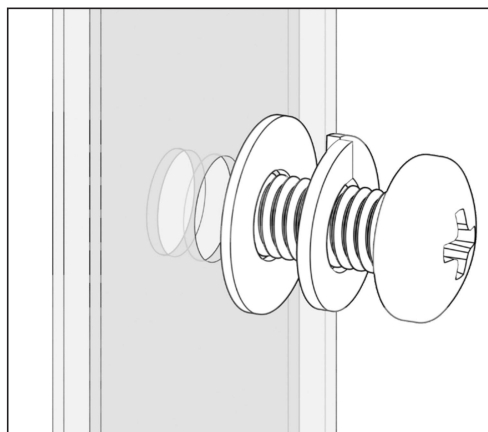
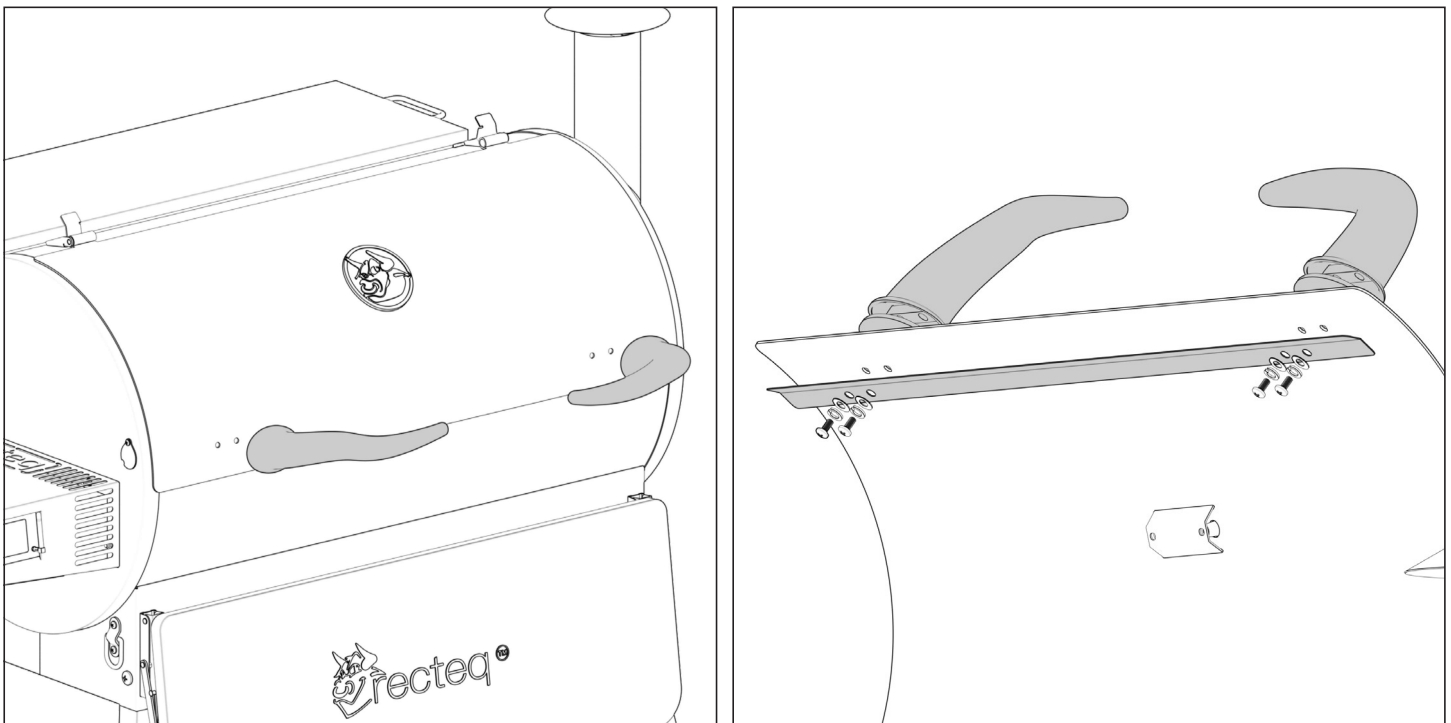
Step 13 Install Bull Horn Handles and Lid Sweep

Attach bull horn handles (5) to grill lid using the small bolts that are screwed into the bull horn handles.

Thread the screws through the lid sweep (16), lid, handle pads, and into the bull horn handles. Once screws are in place tighten all screws.

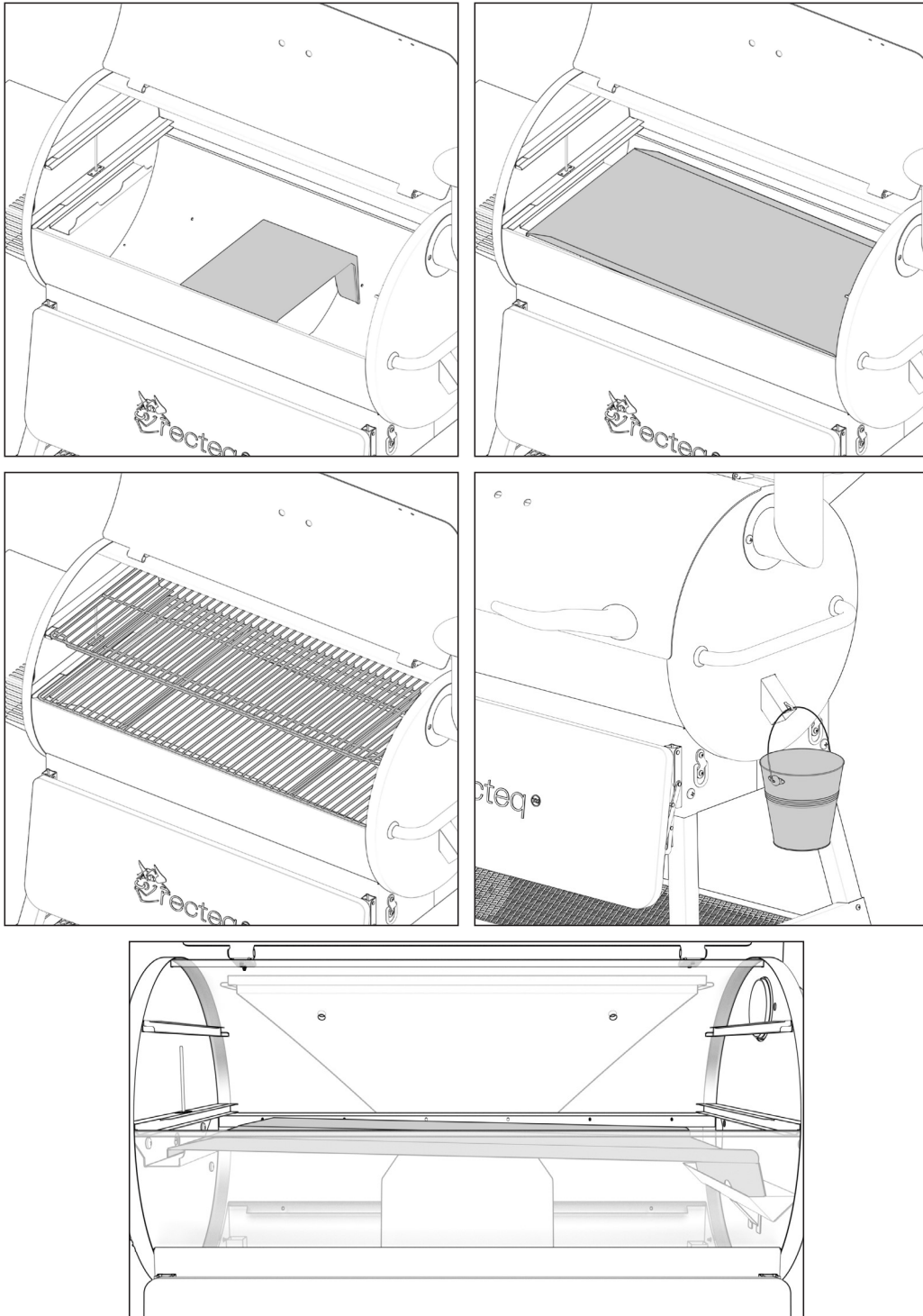
Proper placement will result in the handle facing inward with the tip slightly upward.

Make sure the lid sweep is facing down when the lid is closed.



Step 14 Heat Deflector, Drip Pan, Cooking Grates, and Drip Bucket

Lift the lid, align the notches in the heat deflector (9) with the small brackets in the front and back of the barrel, and place the heat deflector over the fire pot. Install the drip pan (10) with the pan sloping down to the right of the grill making sure to leave equal gaps between the pan and the front and back of the chamber walls. Install the cooking grates (11/12) by resting them flat on the front and back ledges. Install the drip bucket (13) by clipping the handle to the hook on the spout. *Note: See last image for proper placement of drip pan.*



RT-1250

Competition Cart Assembly

Step 1: Unpack and prepare for assembly.

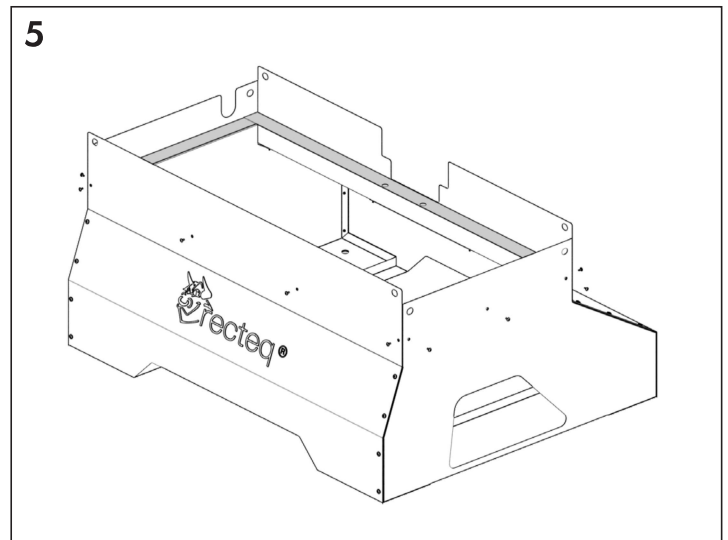
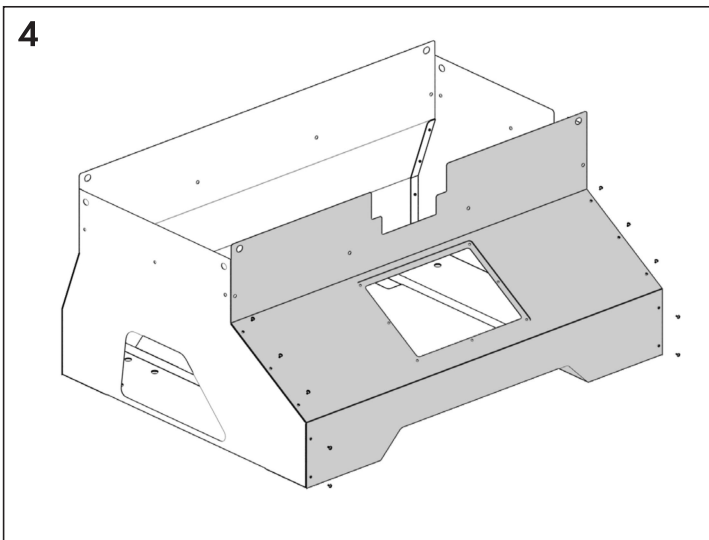
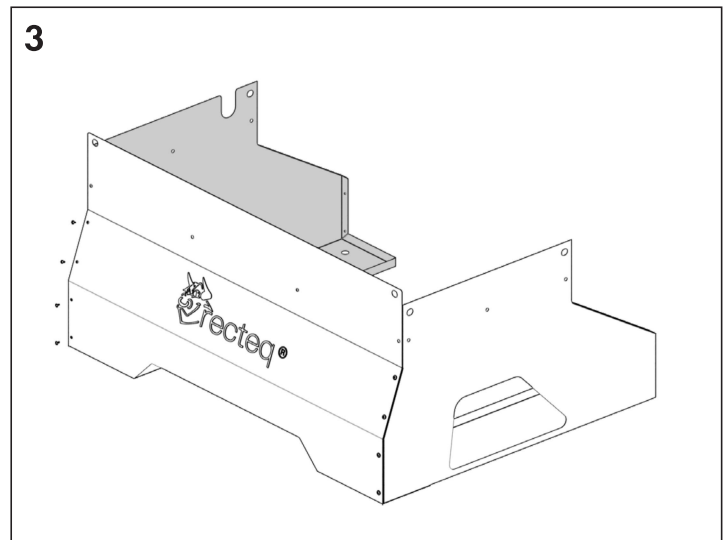
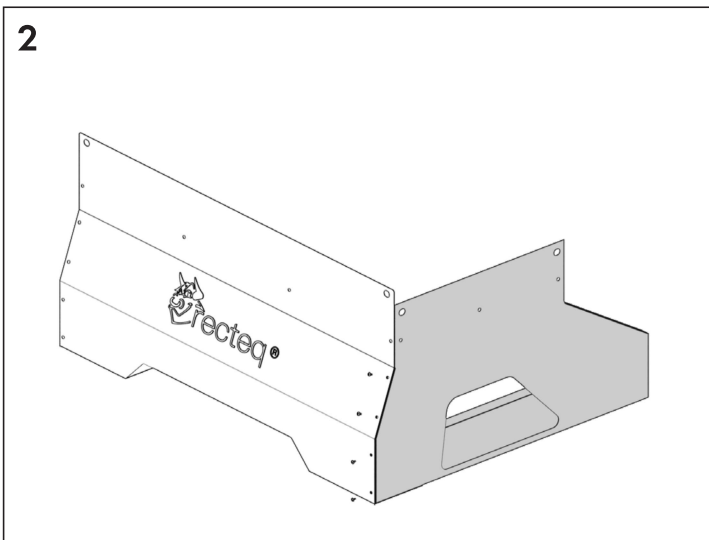
Step 2: Attach right side panel to front panel.

Step 3: Attach left side panel to front panel.

Step 4: Attach back panel onto the rest of the assembly.

Step 5: Slide internal cart frame and attach to cart assembly.

Use provided black machine screws for steps 2-5.



RT-1250

Competition Cart Assembly cont.

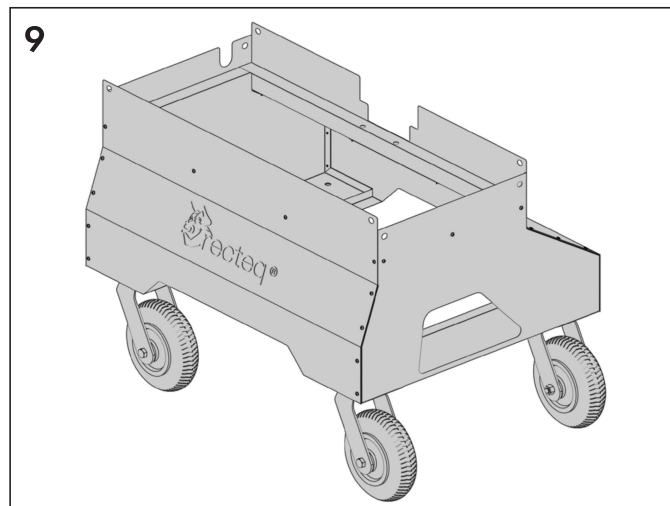
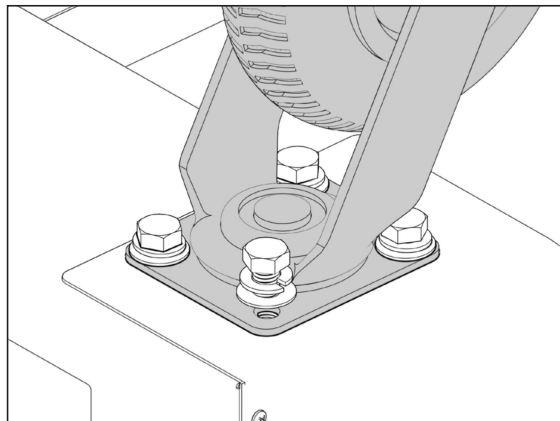
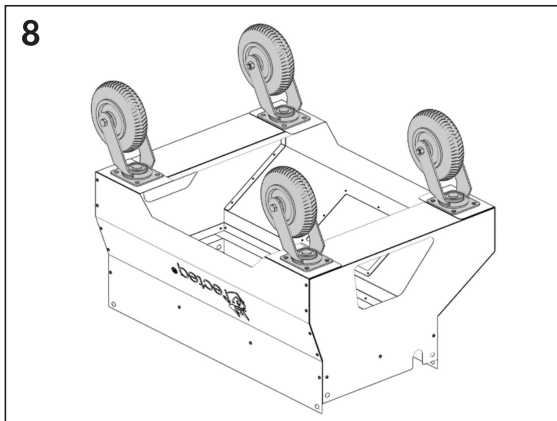
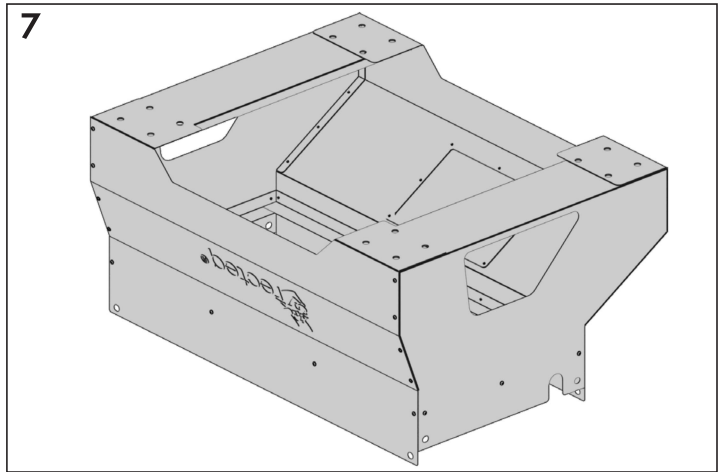
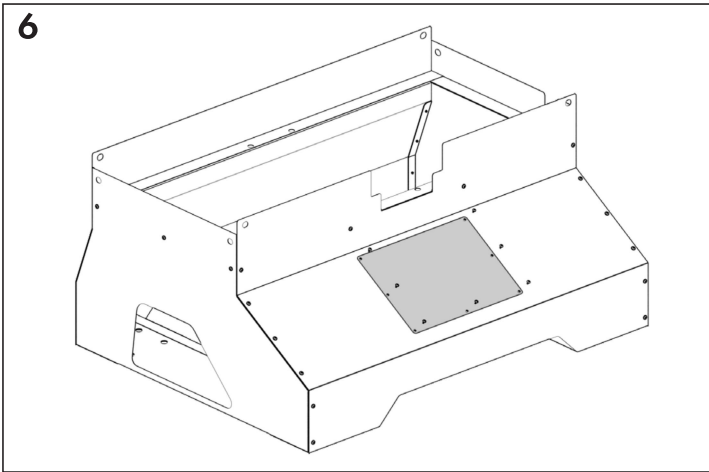
Step 6: Attach access panel with provided black machine screws.

Step 7: *With assistance*, flip cart over to attach wheels.

Step 8: Attach locking caster wheels following bolt assembly order.

Step 9: *Lock caster wheels* and flip cart over with assistance.

Step 10: Use hardware from page 7 to attach grill body to competition cart. Once grill is attached, return to page 9 to continue assembly process.



Initial Setup Procedure

Before cooking for the first time, we recommend that you remove the cooking grate and wash it with mild soap and water. Fill your hopper at least halfway up and place a **small** handful of pellets into the fire pot (about a 1/4 cup of pellets). **Do not over fill the fire pot.** Reinstall the grate, set grill to 400°F and once the grill reaches 400°F, let run with the lid down for 1 hour. This will provide a final cure and remove any residue that may have accumulated during manufacturing and shipping. After this initial burn, your auger and fire pot are primed, and your grill is ready for cooking.

Operating Your Grill

Power Button:

Press power button to turn grill on and adjust temperature knob to desired temperature.

- Turning the grill ON activates the automatic startup mode and illuminates the digital readout.
- If your grill fails to light itself within 30 minutes of startup, the Smart Grill Technology™ processor will turn the grill off and display ER-2 on the screen.
- Pressing the power button again activates the shut down mode of your grill. If grill's actual temperature is below 160°F, pressing the power button will simply turn the grill off.
- When the power button is used to shut down your grill, the Smart Grill Technology™ processor will stop adding pellets to the fire pot and the fan will continue running to completely burn the pellets remaining in the fire pot. During this cooling process, the display screen will display FAN. Shortly thereafter, the display screen will change to display AUG - this will push out any embers left in the auger tube.

WIFI: Download the **recteq** app from Apple App Store for Apple devices or Google Play for Android devices, and follow the directions on app.

WIFI Troubleshooting: Go to recteq.com/wifi-setup

Temperature Control Knob: Turn knob to select computer maintained temperature in 5° increments. (Range: 200°F - 500°F)

Additional Temperature settings: LO and FUL

LO: LO will display as set temperature when knob is turned counterclockwise beyond 200°F and Xtreme Smoke will be activated. The grill will feed pellets to the fire at the minimum feed rate (lowest rate possible to maintain a reliable fire). This will produce the most smoke and achieve the lowest temperature possible, given environmental conditions/type of pellets used.

FUL: FUL will display as set temperature when knob is turned clockwise beyond 500°F. Grill will feed pellets to the fire at 100% of auger capacity. This will produce the highest temperature possible, given environmental conditions/type of pellets used.

Operating Your Grill

Settings Button: Press and hold the settings button to access the adjustable parameters menu. Short presses of the settings button will scroll through the adjustable parameters. Pressing and holding the settings button will exit the adjustable parameters menu.

Test Mode: With grill OFF, press and hold the Settings Button to enter the Adjustable Parameters Menu. Enter Test Mode from either of the five screens AUG, OFS, PrA, PrB, or rSt by pressing the Power Button. Each additional press of the Power Button will advance you through the 8 Test Mode screens. The last screen is the BYE screen. While on the BYE screen, press the Settings Button to return to the adjustable parameters screen, then press and hold the Settings Button and your grill's controller will return to the OFF state.

Adjustable Parameter 1

1	AUG
10	

Adjustable Parameter 1: Min Feed Rate - Min Feed Rate is the minimum rate that the auger is allowed to feed fuel to the fire pot, regardless of Set Point. Decreasing the value will allow the grill to achieve lower temperatures but will increase the risk of flame-outs. Increasing the value will prevent losing fire but will limit your ability to maintain low temperatures on hot, sunny days. *Note: Changing this does not change the auger speed. The auger speed is constant.*

Adjustable Parameter 2

2	OFS
0	

Turning the Temperature Control Knob clockwise will increase, and turning counterclockwise decrease, the value within the range of 5 - 250. (Factory preset: 10)

Probe A Calibration

3	PrA
0	

Adjustable Parameter 2: Temperature Offset - Your grill has been precisely calibrated at our facility, but the Temperature Offset allows you to customize how your controller will operate. Should you choose to rely on a secondary temperature probe, you can use the following process to recalibrate your Smart Grill Technology Controller. Adjustable Parameter 2 will display OFS.

[Offset Calibration Video Link](#)

Probe B Calibration

4	PrB
0	

Additionally, the current temperature offset percentage value will be displayed. Turning the Temperature Control Knob clockwise will increase, and turning counterclockwise decrease, the value within the range of -25.0 to 25.0. **(Factory preset: 0)**

Probe A/B Calibration - [video link](#)

Reset

5	rSt
NO	

Reset - Take the dial and turn to YES. Then hold down the settings button to exit and the grill will be reset to factory settings.

Due to varying qualities of pellet brands, we give you the ability to adjust your minimum feed rate downward in the event that your grill is running hot at lower temperatures. However, if you experience a sudden loss, followed by an immediate increase in grill temperature, then your grill has experienced a flame out and will automatically relight. This signifies that your minimum feed rate was adjusted too low and needs to be increased.

Test Mode

VEr XXX



To enter test mode: Press and hold Settings for 3 seconds - Press Power - until you see AUG

VEr XXX displays current software version.

Screen 5-1



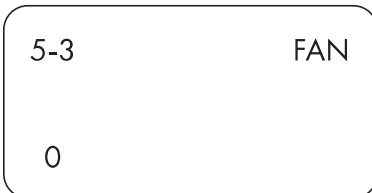
Screen 5-1 is test mode for your auger motor. You should be able to look in your grill's fire pot and see the end of the auger turning very slowly.

Screen 5-2



Screen 5-2 is test mode for your grill's ignition system. You should be able to look into grill's fire pot and see your igniter begin to glow within a few minutes. **DO NOT TOUCH THE IGNITER.**

Screen 5-3



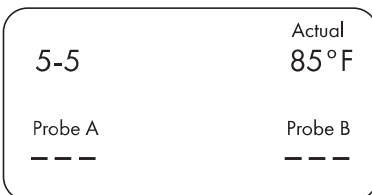
Screen 5-3 is test mode for your grill's blower fan. You should be able to hear the fan blowing.

Screen 5-4



Screen 5-4 is test mode for your grill's control knob. You can turn the knob to see the 000 value increase and decrease as you turn the knob.

Screen 5-5



Screen 5-5 is test mode for your grill's temperature sensor and Probe A and Probe B. You can see the temperature values for each displayed on the screen (a value of - - - means the probe is not plugged in or the grill's sensor is not connected).

Screen 5-6



Screen 5-6 is an internal quality control screen that has no function for the user.

Screen BYE



Screen BYE is the final screen of the test mode. Pressing the power button again will return you to Screen 5-1. Pressing the settings button will return you to the Settings Menu, at which time you can hold the Settings Button to exit Settings Menu and get you back to a blank screen.

Shutting Off Grill

When you are done cooking, simply press the power button. The blower fan will start to cool your grill down and will shut off on its own. The auger will feed pellets during the process; this is completely normal. Keep lid **closed** during this process. Do not move until fully cooled.

Tips, Tricks, and Temps

Preheating

It is important to allow your grill to preheat to achieve your desired cooking temperature before cooking. This allows the entire grill to heat up and quickly return to your desired temperature once your food is introduced. If you do not allow the grill to preheat, you will find that it takes a longer period of time to bring both the grill and the food to your desired cooking temperature. It is important to leave the lid closed during preheating.

Pellet Information

Ultimate Blend premium hardwood pellets contain approximately 8,200 BTUs of heat per pound and leave less than 1% ash residue. Pellets should be stored in a dry area, as wet pellets will swell and turn back into sawdust. For the best results, always use premium hardwood pellets in your grill. The use of grades other than premium hardwood pellets may result in temperature variations, uneven cooking, and poor results. Remember, pellets do not contain preservatives and will deteriorate over time.

Caution: Some wood pellets produced for heating fuel have a high content of softwood which can include pitch and should not be used for cooking. Always check with the pellet manufacturer to ensure that you are cooking with a premium, 100% hardwood pellet.

Operating Temperatures

Smoking	180°F to 275°F
Roasting/Braising	275°F to 325°F
Baking	325°F to 375°F
Grilling	375°F to 450°F
Searing	450°F+

Tips, Tricks, and Temps

- Always use grill on a level surface.
- Check and clean fire pot regularly; this will ensure proper ignition and heat output.
- Not all pellets are created equal; always use dry and fresh pellets.
- Always store pellets in a dry area.
- Get to know your grill and keep good cooking notes. This will help with consistency.
 - Practice makes perfect.
- Always allow your meat to rest before serving.
- Always keep your cooking area clean.
- Avoid lifting the lid more than necessary.
- Wind can cool your grill temperature.
- Always preheat grill to desired temperature before use.
- Wipe off stainless steel surfaces before preheating; dirt and food stains can cook into surface.
- Always check pellet hopper for debris and remove excess pellet dust as needed.
- Leave at least one inch of clearance between food for even cooks (crowded foods will take longer to cook).
- Foods cooked in pans or containers will require more time than foods cooked directly on grate.
- Use your platinum-tipped meat probe to determine meat-doneness; never rely on time.
- Know your food's internal temperature.
- Use long handled tongs and spatulas for turning meats; do not use plastic utensils.
 - Injecting, mopping, and spritzing are great ways to keep meat from drying out.
 - When going low and slow, plan for your meats to stall; larger pieces of meat tend to take longer from 160°F-180°F. Be patient.
- **Never unplug your grill to turn it off.**
- When not in use, unplug and cover with recteq Premium Grill Cover.

Temperatures

Remember, you can't tell whether meat is safely cooked by looking at it. Any cooked, uncured red meats (including pork) can be pink, even when the meat has reached a safe internal temperature.

After you remove the meat from your grill, allow it to rest.

- Hot foods should be held at 140°F or warmer.
- Cold foods should be held at 40°F or colder.
- Perishable foods should not be left out for more than 2 hours at room temperature; 1 hour when the temperature is above 90°F.
- Always follow food safety guidelines provided by the USDA.

Maintenance & Cleaning

- Clean your fire pot every 3-5 cooks or after every 16 hours of cooking time, to ensure proper airflow.
- Use a grill brush to clean your cooking grate after every cook to provide years of trouble-free use.

Note: Make sure that no bristles have shed onto the cooking grate.

- Use a mild soap and water to clean the exterior of your grill.

AVOID USING CAUSTIC CLEANERS! ie: ajax, comet, etc.

- If left in an exposed area, keep your grill covered and unplugged when not in use.
- Never let your pellets get wet; they will swell and jam your auger.
- If grill is not used for 6 weeks or more, it is advised to remove all pellets from hopper.

Never store the grill in a small space or place in a vehicle unless completely cool and fire is verified as extinguished. Never move the grill while it is still hot. Never move the grill without assistance.

Clean the ash from the interior of your grill, fire pot, and hopper every 5-6 bags of pellets – a shop vac is an ideal tool for this job. It also helps to leave a thin layer of ash on the bottom of the barrel for insulation.

WARNING: Always wait at least 12 hours after cooking to remove ash from your grill!

If you have completed a low and slow cook that has caused the accumulation of grease on your foil, you must change the foil before cooking at high temperatures!

Failure to do so will most certainly cause a grease fire in your grill.

Troubleshooting

We pride ourselves on our grills, grilling accessories, and on our commitment to serve you. Please consult the chart below to help resolve issues you may encounter. Also, please don't hesitate to contact us with any issues.

(706) 922-0890

Issue	Potential Cause	Solution
Grill will not light/turn on	Power	Make sure power is plugged into working GFCI outlet, and outlet is not tripped. Unplug grill and check for blown fuse; refer to controller schematic on page 28.
	Fuse	Replace fuse manually and try again. Call Customer Service or visit recteq.com if problem persists.
	Igniter	Remove cooking grate, heat deflector, and drip pan; visually inspect fire pot and if after 10 minutes: <ul style="list-style-type: none"> • your pellets are feeding • your blower fan is running • your grill is still not lighting Then your igniter rod may need to be replaced. Call Customer Service.
	Auger Motor	Remove cooking grate, heat deflector, and drip pan; visually inspect auger turning in the fire pot. (Note: the auger turns very slowly) If auger is not turning, you may have an obstruction in your hopper. Clean out pellets and try again. If problem persists, your auger motor may need to be replaced. Call Customer Service.
	Control Board	UNPLUG GRILL. Check to make sure the fuse is intact and has not blown. Check for any loose wire connections. If any wires have become detached, refer to controller schematic.

Issue	Potential Cause	Solution
Grill is smoking excessively/ smoke is discolored	Pellet quality/age	Inspect pellets; ensure that pellets are dry and have not broken down into sawdust. If problem persists, remove pellets from the hopper and clean ash from your firepot, then replace with fresh dry pellets.
	Excess ash in fire pot	Check the burn pot for ash and clean as necessary (it's advised to clean fire pot every 3-5 uses).
	Blower fan	Unplug grill. Remove access panel; visually inspect blower fan for any obstructions, loose connections, bugs, etc. Remove obstructions. Power grill on. If problem persists, unplug grill. Spin fan manually for several revolutions. Plug grill back in. If problem still persists, your blower fan may need to be replaced. Call customer service.
Grill will not heat up to or maintain proper temp	Pellet quality/age	Inspect pellets; ensure that pellets are dry and have not broken down into sawdust. If problem persists, remove pellets from the hopper and clean ash from your firepot, then replace with clean dry pellets.
	Insufficient airflow	Check fire pot for any obstructions/ ash accumulation.
	Excess ash in fire pot	Check fire pot for ash and clear as necessary.
Fire continues to go out	Pellet quality/age	Inspect pellets; ensure that pellets are dry and have not broken down into sawdust. If problem persists, remove pellets from the hopper and clean ash from your firepot, then replace with clean dry pellets.
	Hopper obstruction	Unplug grill. Remove pellets from hopper. Clean hopper of any obstructions or build up.
	Pellet Bridge	Excessively long pellets can catch on each other and cause pellets not to fall into the auger.

Issue	Potential Cause	Solution(s)
Pellets are not being delivered to fire pot	Hopper obstruction	Unplug grill. Remove pellets from hopper. Clean hopper of any obstructions or build up.
	Auger Failure/Jam	Remove cooking grate and heat deflector plate; visually inspect auger turning in the fire pot. (Note: the auger turns very slowly) If auger is not turning, you may have an obstruction in your hopper. Clean out pellets and try again. If problem persists, your auger motor may need to be replaced. Call Customer Service.
Flare ups	Excessively greasy food while temperature setting is too high	Cook at 350 degrees or below when cooking excessively fatty foods.
Excessive grease/build up	Excessively greasy food	Cook at 350 degrees or below when cooking excessively fatty foods.
Smoke coming from hopper	Excess ash in firepot	Clean grill interior.
	Pellet level very low in hopper	Add more pellets to hopper
	Excess pellet dust lining auger tube causing burn back	Remove pellets from hopper and vacuum out hopper, auger tube, and fire pot.
ER-1	Power Failure	Make sure power is plugged into working GFCI outlet, and outlet is not tripped. Turn grill off, then back on again to reset controller and clear code.
ER-2	Grill hasn't ignited in over 30 minutes	Refer to "Grill will not light/turn on" in Troubleshooting.
ER-3	RTD unplugged/grill over heated	Check connection and let grill cool. Turn grill off, then back on again to reset controller and clear code.

Troubleshooting

In case of igniter failure, you can start your RT-1250 manually:

1. Remove the stainless steel grates, drip pan, and heat deflector.
2. Clean out fire pot and place no more than 1/2 cup of pellets in the bottom. Add a small amount of solid fuel fire starter, such as those made from sawdust and wax, or use wood shavings.

Tip: A paper towel, shredded cardboard, or shredded newspaper can work as a substitute.

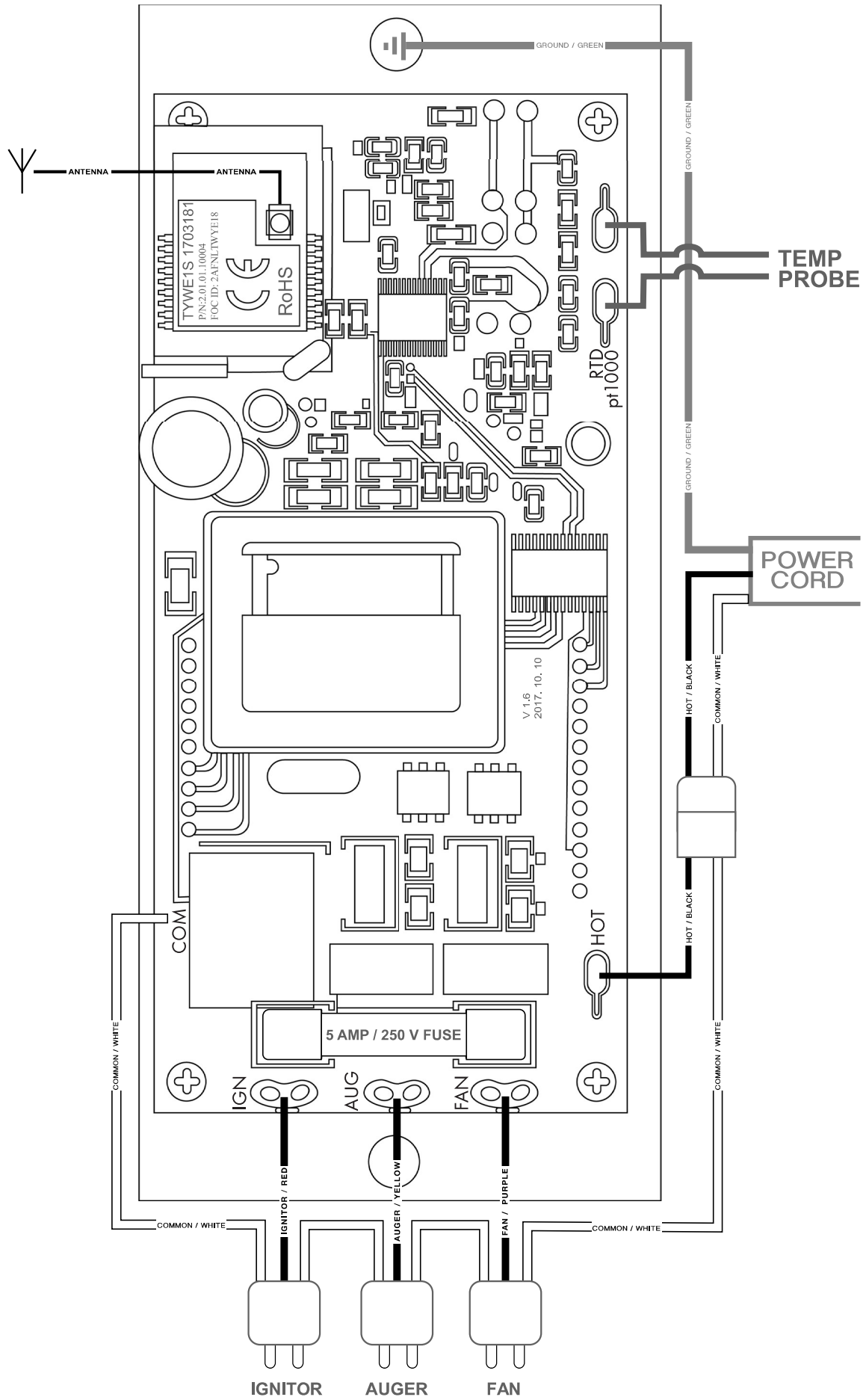
If you have a torch lighter, a fire starter is not needed.

3. Light the fire starter.
4. After the pellets are burning briskly, turn on your grill. If your fire goes out, repeat steps 1-4.
5. If your fire stays lit, replace the stainless heat deflector, drip pan, and cooking grates then close the lid.

Be careful not to touch the fire.

CAUTION: Do not use flammable liquids such as gasoline, gasoline-type lantern fuel, kerosene, charcoal lighter fluid, or similar liquids to start or freshen-up the fire! Keep all such liquids well away from the grill while it is in use.

Controller Schematic



Warranty

This limited warranty covers the RT-1250 Wood Pellet Grill manufactured by "recteq, LLC." The RT-1250 carries a 6-year limited warranty from the date of purchase by the original owner against defects in material and workmanship when subjected to normal residential use. Limited warranty does not apply to paint, grill cover, or damage caused from corrosion.

Conditions of Limited Warranty

1. During the term of the limited warranty, recteq, LLC's obligation shall be limited to replacement of covered, failed components. Recteq will repair or replace parts returned to recteq, freight prepaid, if the part(s) are found by recteq to be defective upon examination. Recteq shall not be liable for transportation charges, labor costs, or export duties.
2. Recteq takes every precaution to utilize materials that retard rust including the use of high temperature paint and stainless steel where advisable. Even with these safeguards, the protective coatings can be compromised by various substances and conditions beyond recteq's control. High temperatures, excessive humidity, chlorine, industrial fumes, fertilizers, lawn pesticides and salt are some of the substances that can affect paint and metal coatings. For these reasons, the limited warranties DOES NOT COVER RUST OR OXIDATION FOR ANY REASON.
3. The warranty is based on residential use. Warranty coverage does not apply to products used in commercial applications.

Exceptions to the Limited Warranty

There is no written or implied performance warranty on recteq, as the manufacturer has no control over the installation, operations, cleaning, maintenance or the type of fuel burned. This limited warranty will not apply nor will recteq assume responsibility if your product has not been installed, operated, cleaned and maintained in strict accordance with the manufacturer's instructions. The warranty does not cover damage or breakage due to misuse, improper handling or modifications. NEITHER THE MANUFACTURER, NOR THE SUPPLIERS TO THE PURCHASER ACCEPTS RESPONSIBILITY, LEGAL OR OTHERWISE, FOR THE INCIDENTAL OR CONSEQUENTIAL DAMAGE TO THE PROPERTY OR PERSONS RESULTING FROM THE USE OF THIS PRODUCT. ANY WARRANTY IMPLIED BY LAW, INCLUDING BUT NOT LIMITED TO IMPLIED WARRANTIES OF MERCHANTABILITY OR FITNESS, SHALL BE LIMITED TO SIX (6) YEARS FROM THE DATE OF ORIGINAL PURCHASE. WHETHER A CLAIM IS MADE AGAINST THE MANUFACTURER BASED ON THE BREACH OF THIS WARRANTY OR ANY OTHER TYPE OF WARRANTY EXPRESSED OR IMPLIED BY LAW, MANUFACTURER SHALL IN NO EVENT BE LIABLE FOR ANY SPECIAL, INDIRECT, CONSEQUENTIAL OR OTHER DAMAGES OF ANY NATURE WHATSOEVER IN EXCESS OF THE ORIGINAL PURCHASE PRICE OF THIS PRODUCT. ALL WARRANTIES BY MANUFACTURER ARE SET FORTH HEREIN AND NO CLAIM SHALL BE MADE AGAINST MANUFACTURER ON ANY ORAL WARRANTY OR REPRESENTATION. Some states do not allow the exclusion or limitation of incidental or consequential damages, or limitations of implied warranties, so the limitations or exclusions set forth in this limited warranty may not apply to you. This limited warranty gives you specific legal rights and you may have other rights, which vary from state to state.

The limited warranty for SIX (6) years is in lieu of all other warranties expressed or implied, at law or otherwise, and recteq does not authorize any person or representative to assume for recteq any obligation or liability in connection with the sale of this product. This means that no warranties, either expressed or implied, are extended to persons who purchase the product from anyone other than recteq or an authorized recteq Distributor.

Procedure for Warranty Service

Call recteq at **706-922-0890** for repair or replacement of your covered parts.

Be prepared to furnish the following information:

- Purchaser's name, model and serial number of grill and date of purchase.
- An accurate description of the problem.