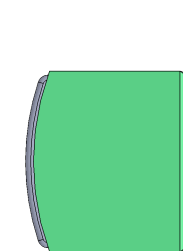
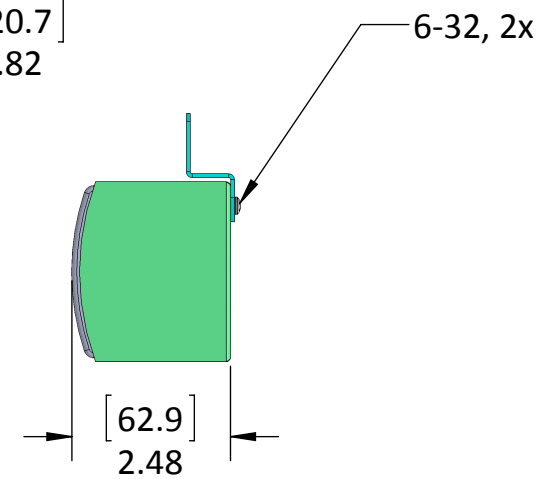
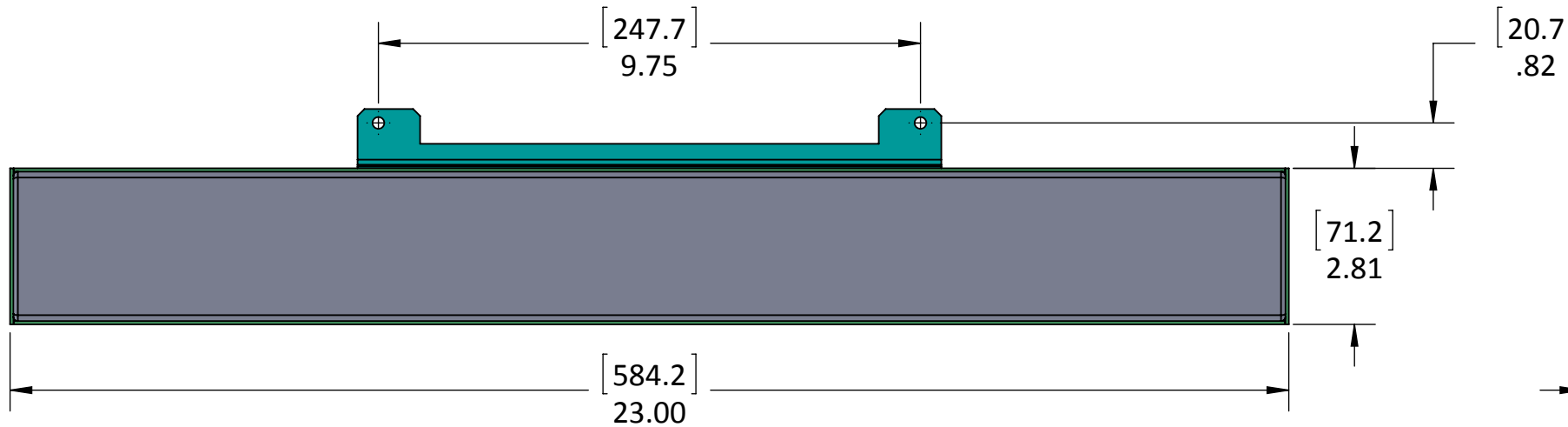
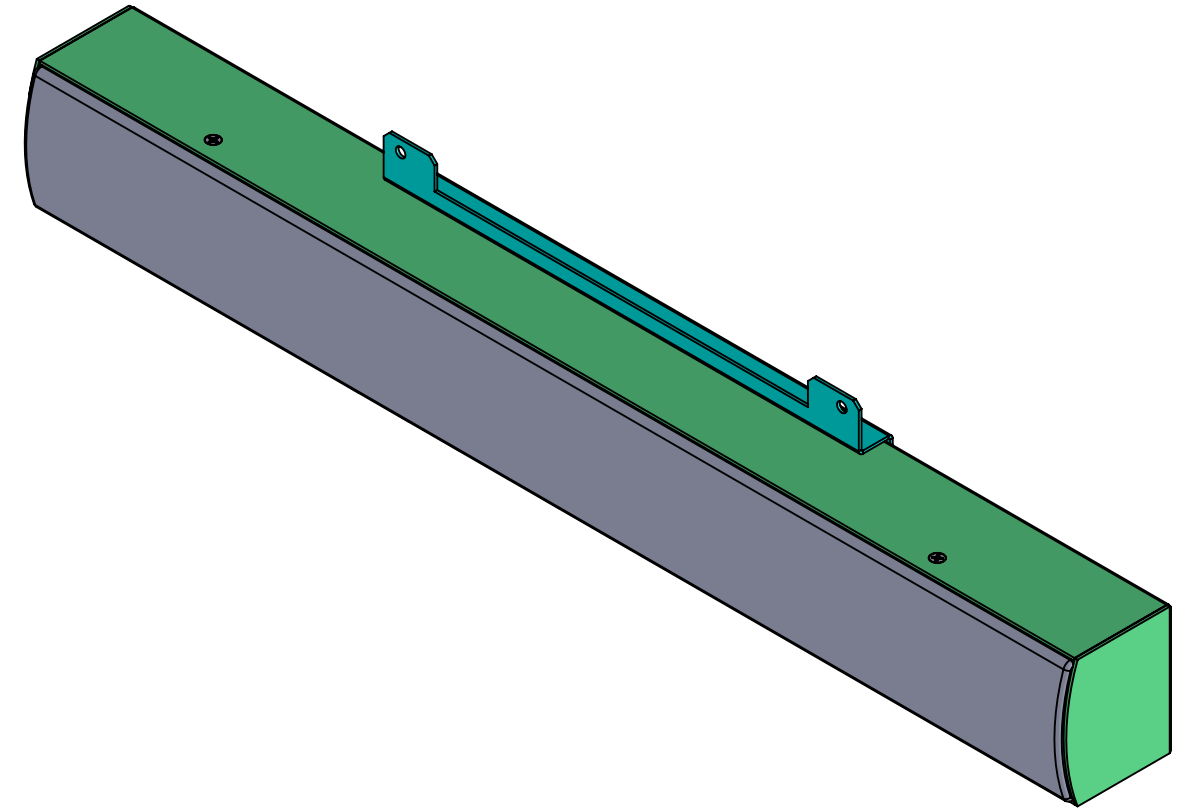
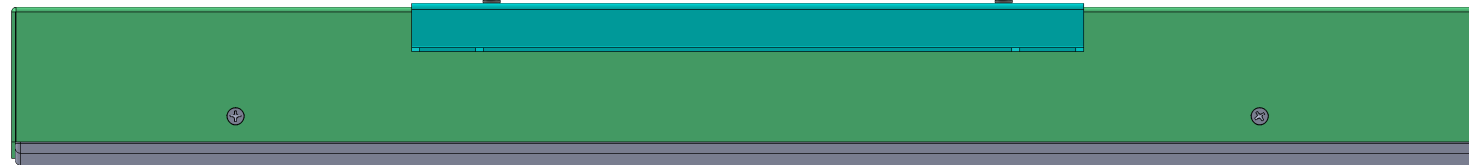
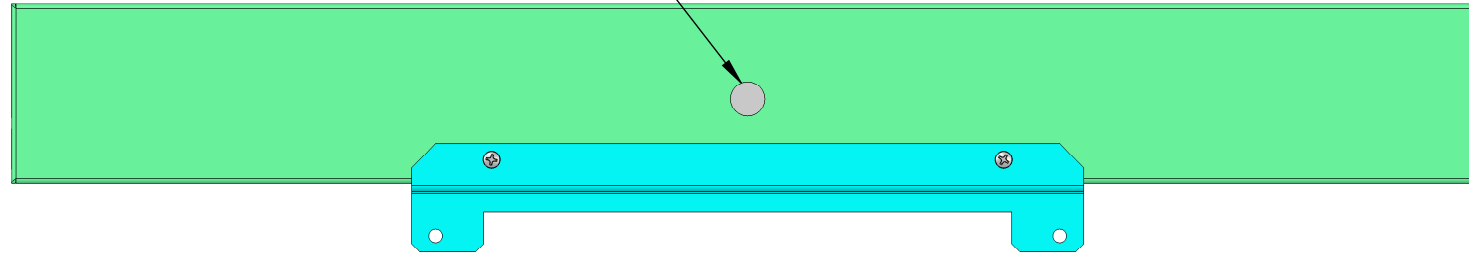


POWER CABLE


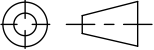


FLAT BRACKET FOR PREVIOUS MODELS

Z BRACKET FOR CURRENT MODELS

SB-SP427

FOR MISSING DIMENSIONS AND FEATURE LOCATIONS REFER TO 3D CAD MODEL

MATERIAL		The information herein is the property of SunBrite V. No portion of this data shall be released, disclosed, used, or duplicated for any purposes without the written consent of SunBriteTV.		 2001 Anchor Ct. Thousand Oaks, CA 91320	
FINISH		APPROVALS DESIGN JDD DRAWN JDD CHECKED		DATE 20 Apr 15 20 Apr 15	
FRACTIONS ±.030 .X ±.05 .XX ±.03 .XXX ±.010		ANGLES ± 1°		TITLE Speaker module small OUTLINE 2 SB-SP427	
UNLESS OTHERWISE SPECIFIED DIMENSIONS ARE IN INCHES THIRD ANGLE PROJECTION 		SIZE B SCALE 1:3 SHEET 1 OF 1		PART # 14100914 REV NC	