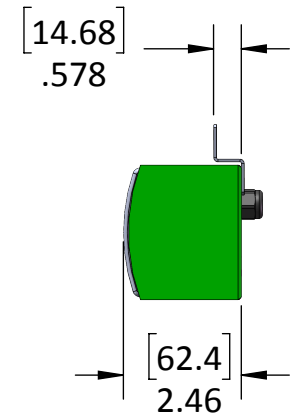
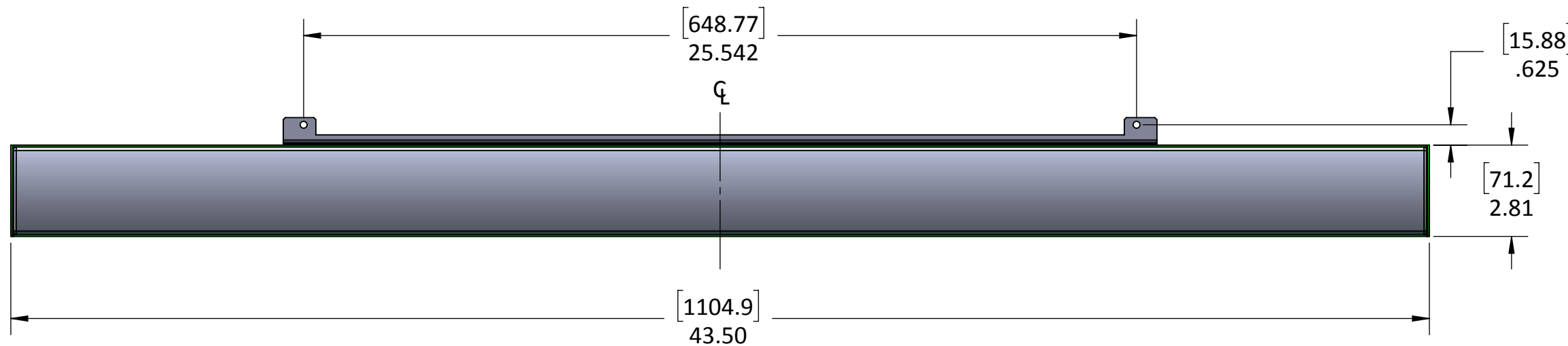
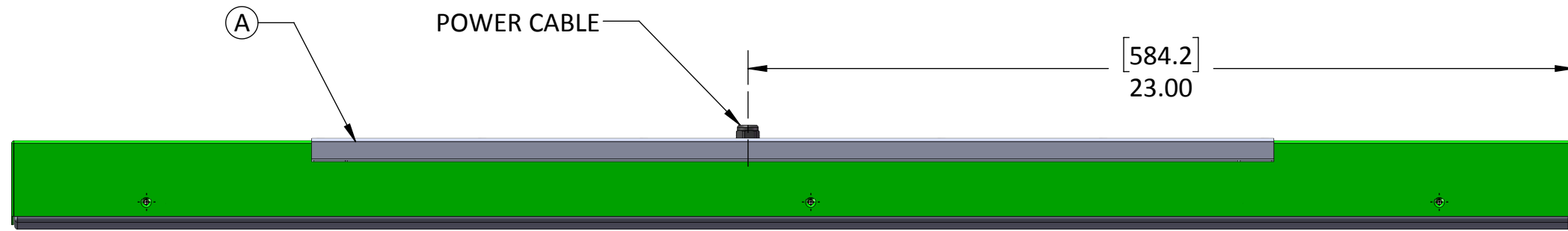


|           |       |                          |              |            |
|-----------|-------|--------------------------|--------------|------------|
| F9J 6C BG |       |                          |              |            |
| NC B9     | F9J " | 89G7 F-DHC B             | 85H9         | 5DDFC J 98 |
| 6(        | 5     | B9K 'A C I BHB; '6F57?9H | %/6%+##&\$%* | >88        |



SB-SP557

FOR MISSING DIMENSIONS AND FEATURE LOCATIONS REFER TO 3D CAD MODEL

|                             |  |             |  |           |  |                               |  |
|-----------------------------|--|-------------|--|-----------|--|-------------------------------|--|
| NOTE 3                      |  | 5DDFC J 5@G |  | 85H9      |  | Large Speaker Module<br>SP557 |  |
| :F57HC BG 897 A 5@G 5B; @9G |  | 89G# B JDD  |  | 20 Apr 15 |  | H#E9                          |  |
| W#S0UUAJVP0UY QIAU000000    |  | 8F5K B JDD  |  | 20 Apr 15 |  | GAP 6 G7 5@ % ( D5FH. F9J     |  |
| VP00A# OS0AUUR00V0P         |  | 7<97?98 A   |  | A         |  | G<99H%C : % 5                 |  |