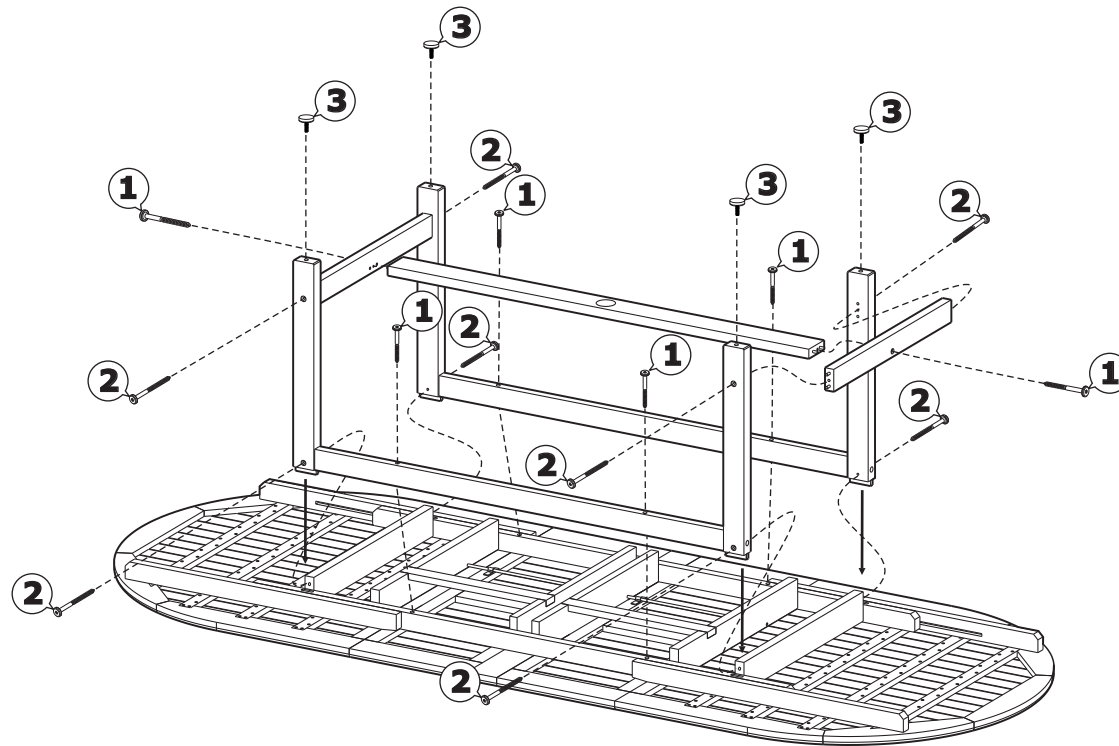
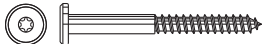

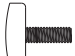




# Assembly Instruction

Date : 26 Aug 2014, Revision : 1



- 1**  F-screw 6x70-T30, GS x 6 PCS SEM201428
- 2**  F-screw 6x80-T30, GS x 8 PCS SEM201429
- 3**  Table foot black, P x 4 PCS SEM201054
- 4**  Torx key T30, GS x 1 PCS SEM201430
- 5**  Sc brasscenter for ph, ø50mm, SB x 1 PCS SEM600001

**DIAN DELUXE DOUBLE EXT. OVAL DINING TABLE 87"-118"x47", 29"H, W/PH, TEA**  
SEM101138