

# ASSEMBLY INSTRUCTION

SL-071

## SUN LOUNGER ADJUSTED BACK

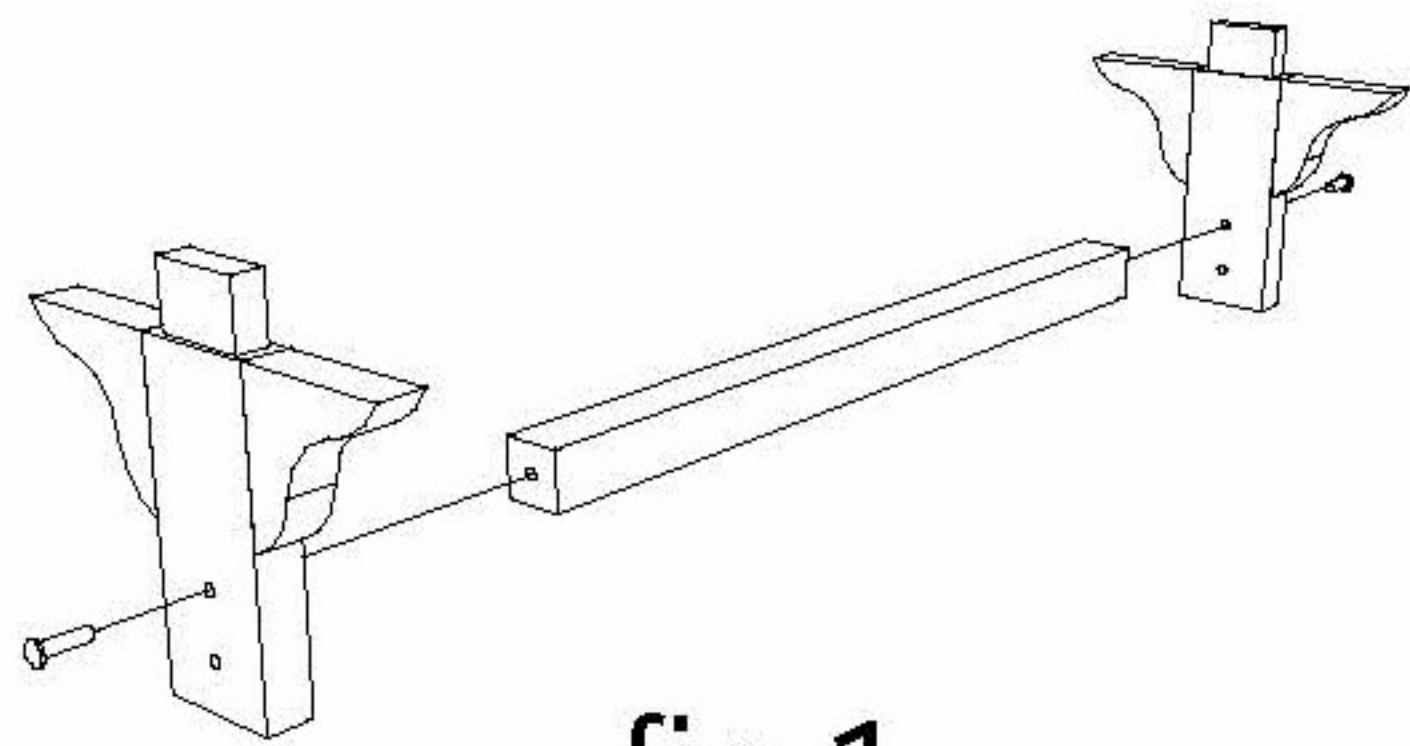


fig 1.

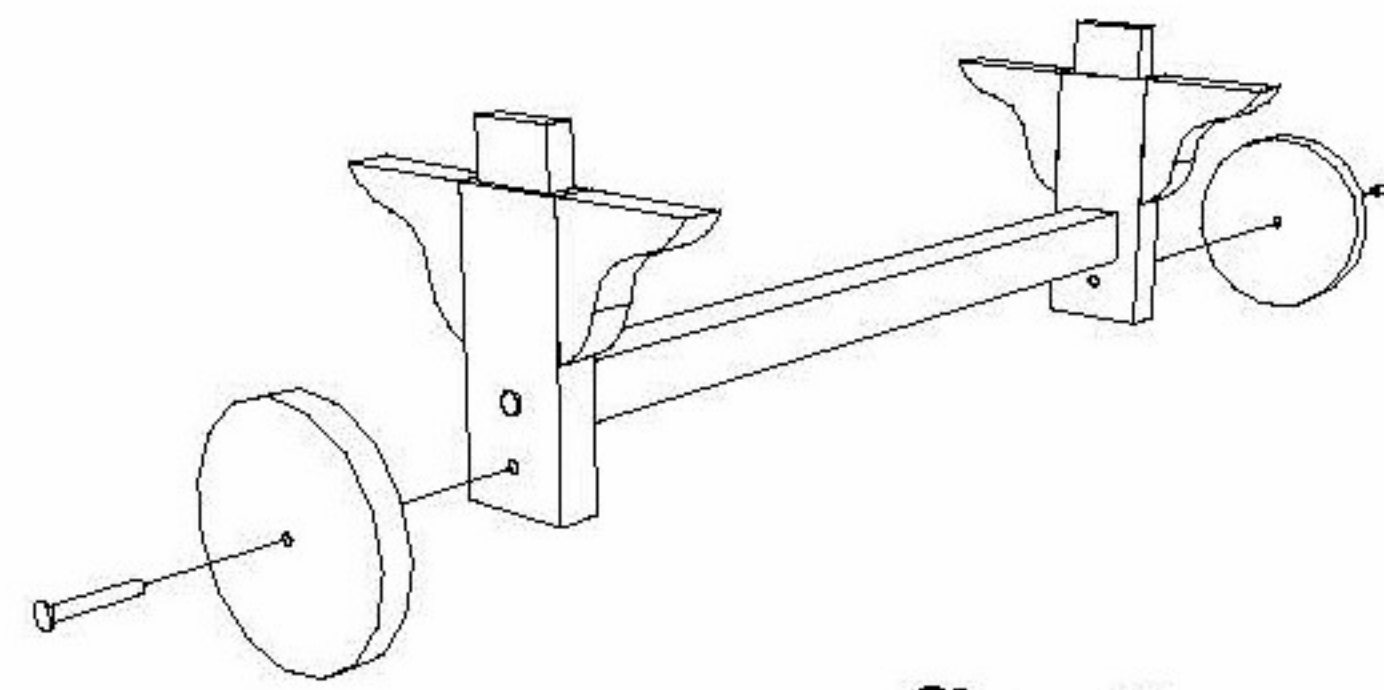


fig 2.

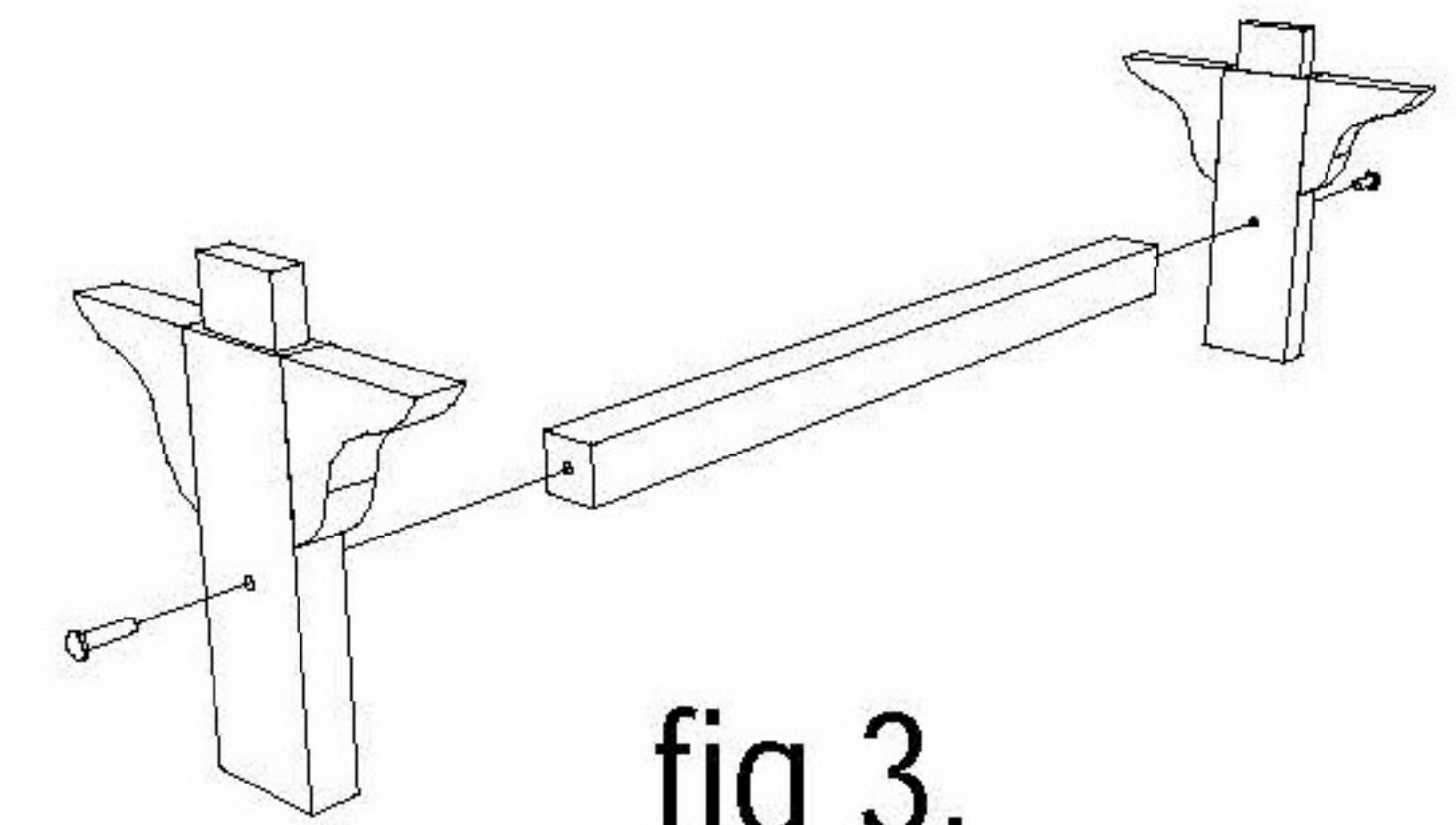


fig 3.

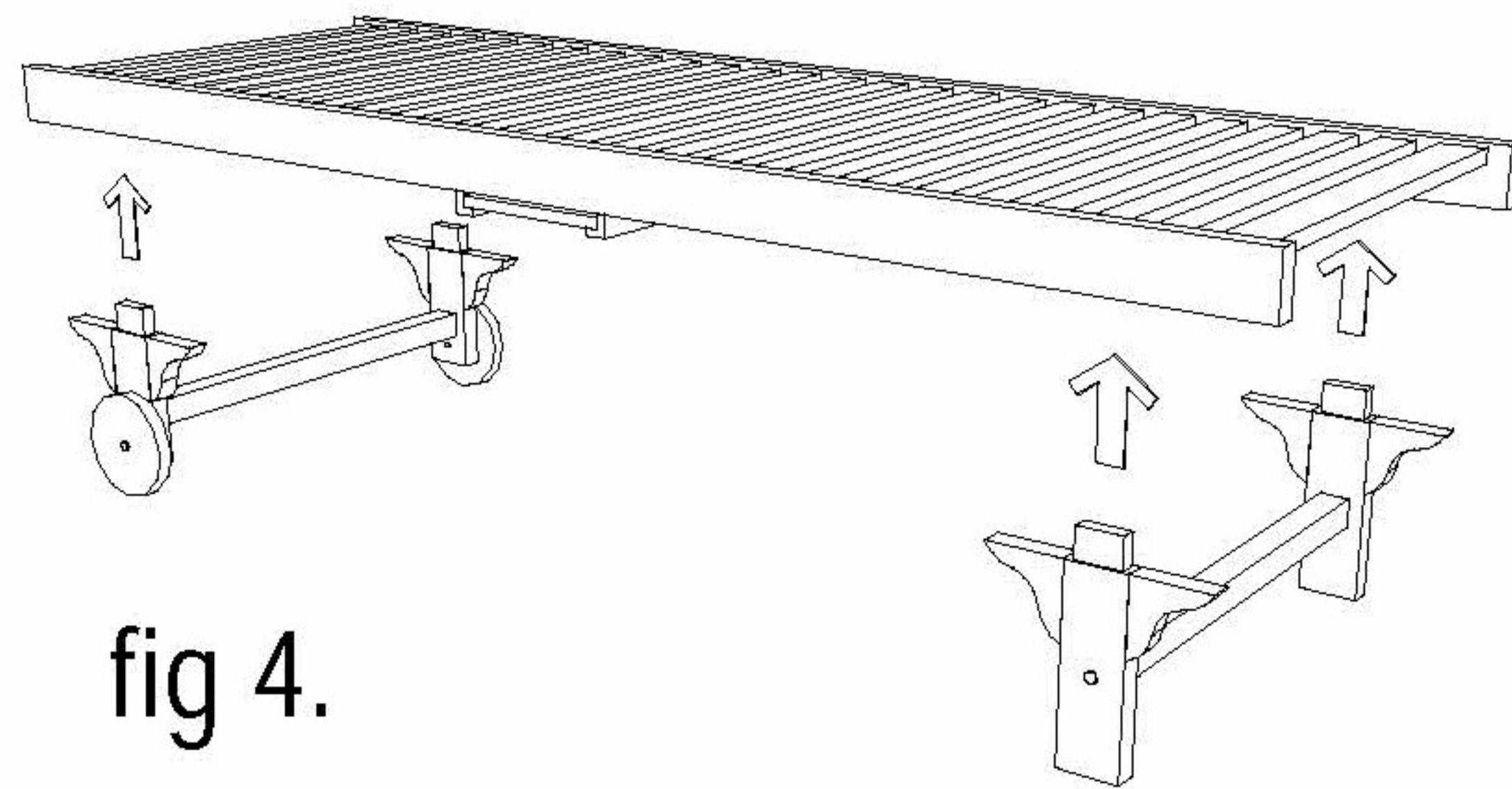


fig 4.

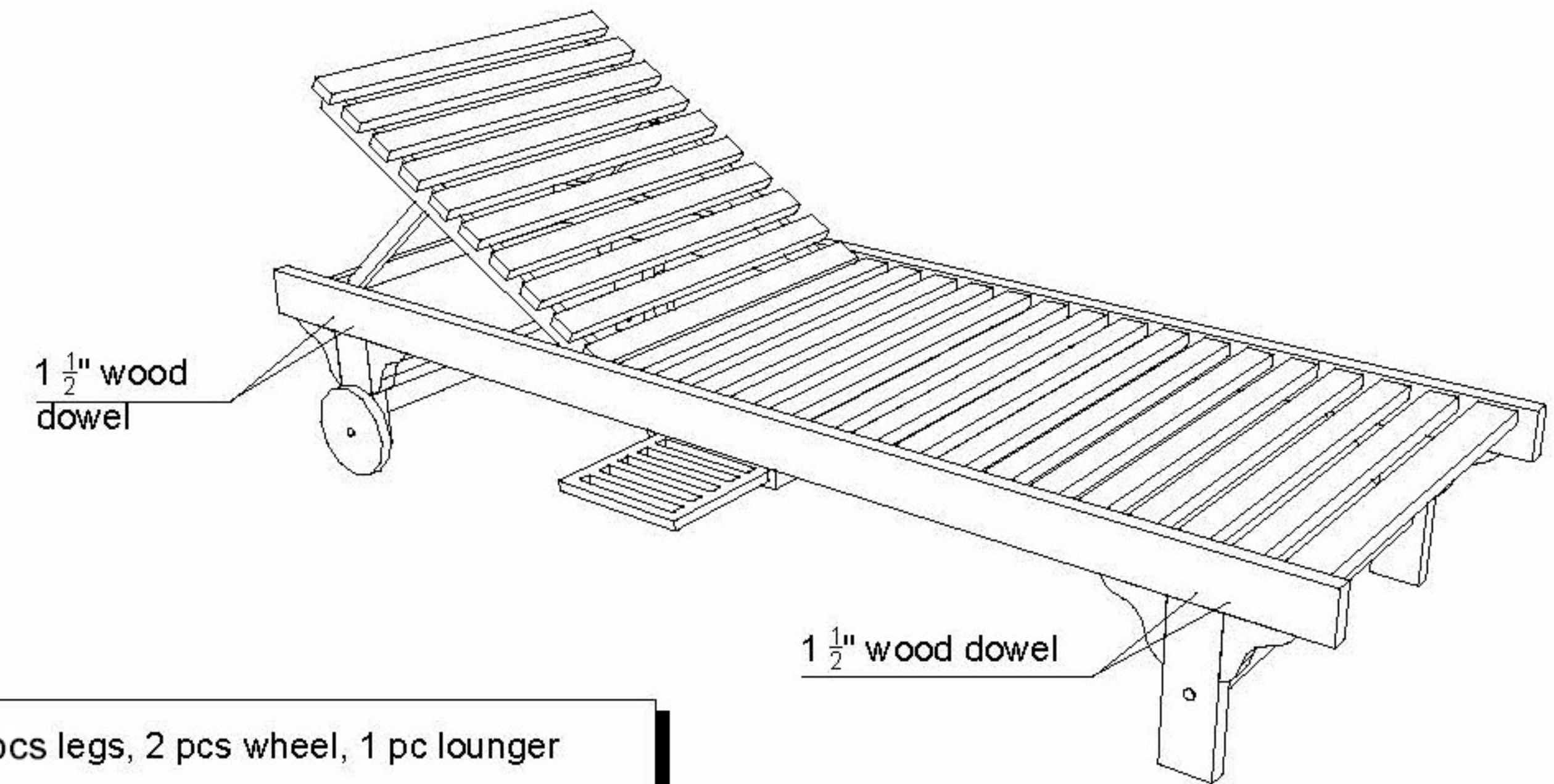


fig 6.

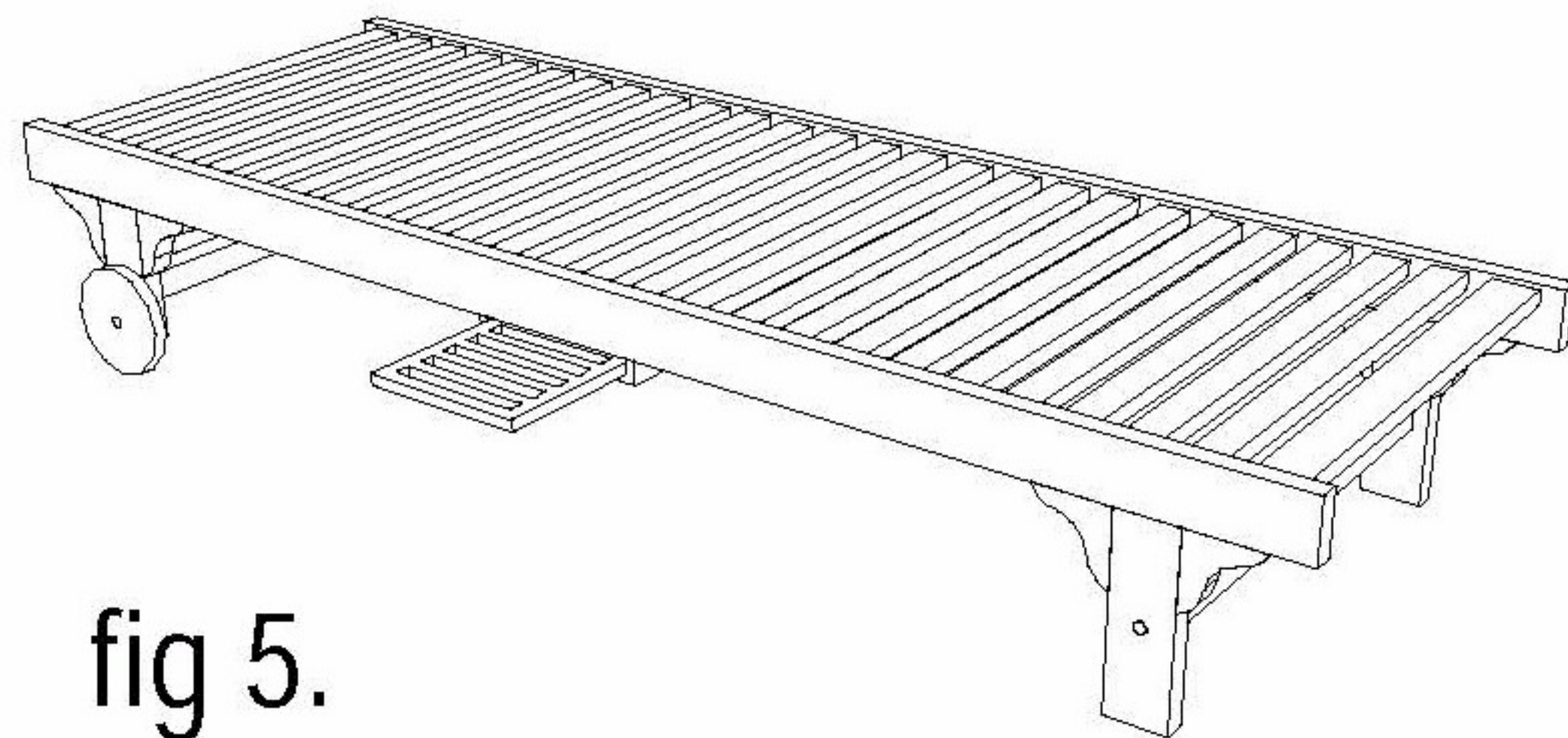


fig 5.

Parts : 4 pcs legs, 2 pcs wheel, 1 pc lounger

Hardware packs

- wood dowel for the legs
- brass clamp for the legs and the wheels

Tools requirment

- hammer ( not supplied )

Assembling

1. Prepare a leg. ( Fig. 1 )
2. Insert the wheels into the leg. ( Fig. 2 )
3. Prepare the other leg. ( Fig. 3 )
4. Put some glue into the leg's mortise
5. Insert the legs to the lounger. ( Fig. 4 )
6. Put some glue around the wood dowels and insert it into the legs.
7. Clean the glue rest using a damp cloth.